

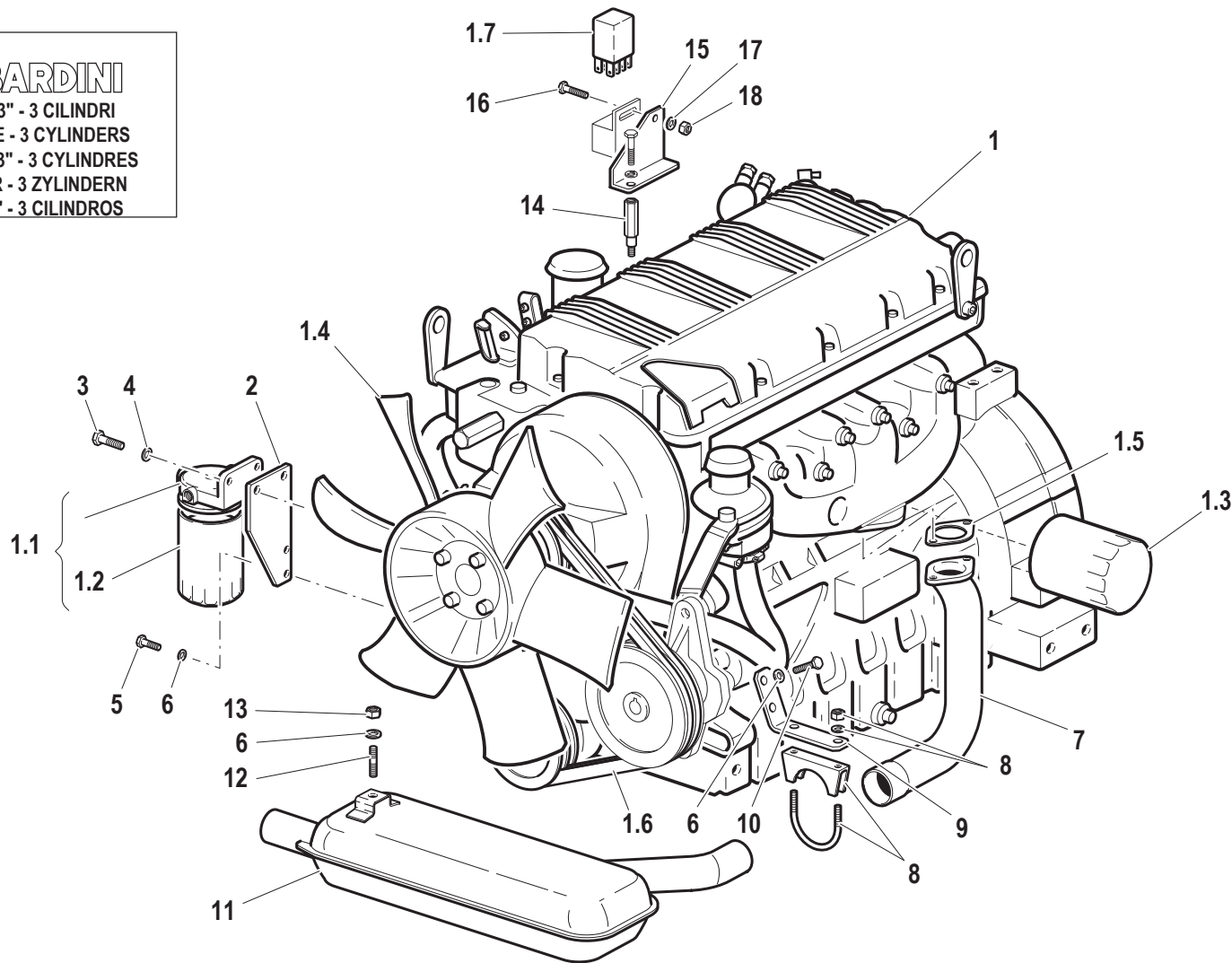
# Inhoudsopgave

Achteras Aandrijving .....	88
Achteras Behuizing .....	68
Brandstof Tank .....	12
Dashbord .....	48
Differentieel Slot .....	90
Driepunt .....	134
Elektrisch .....	98
Gaskabels .....	6
Hydrauliek .....	116
Hydrauliek Hef .....	114
Hydrauliek Stuur .....	112
Hydrauliek Ventielen .....	128
Koppeling .....	72
Luchtfilter .....	10
Middenstuk Knik .....	60
Motor .....	4
Motorkap & Bumper .....	20
P.T.O. .....	94
P.T.O. Schakeling .....	96
Radiator & Slangen .....	8
Remmen .....	76
Rempedaal & Handrem .....	78
Schakelpoken & Gaffels .....	84
Spatschermen & Rolbeugel .....	24
Stickers .....	44
Tandwielen .....	80
Trekhaak .....	136
Vooras aandrijving .....	70
Vooras Behuizing .....	58
Wielen & Banden .....	138
Zittingen .....	50
Parts Index .....	146

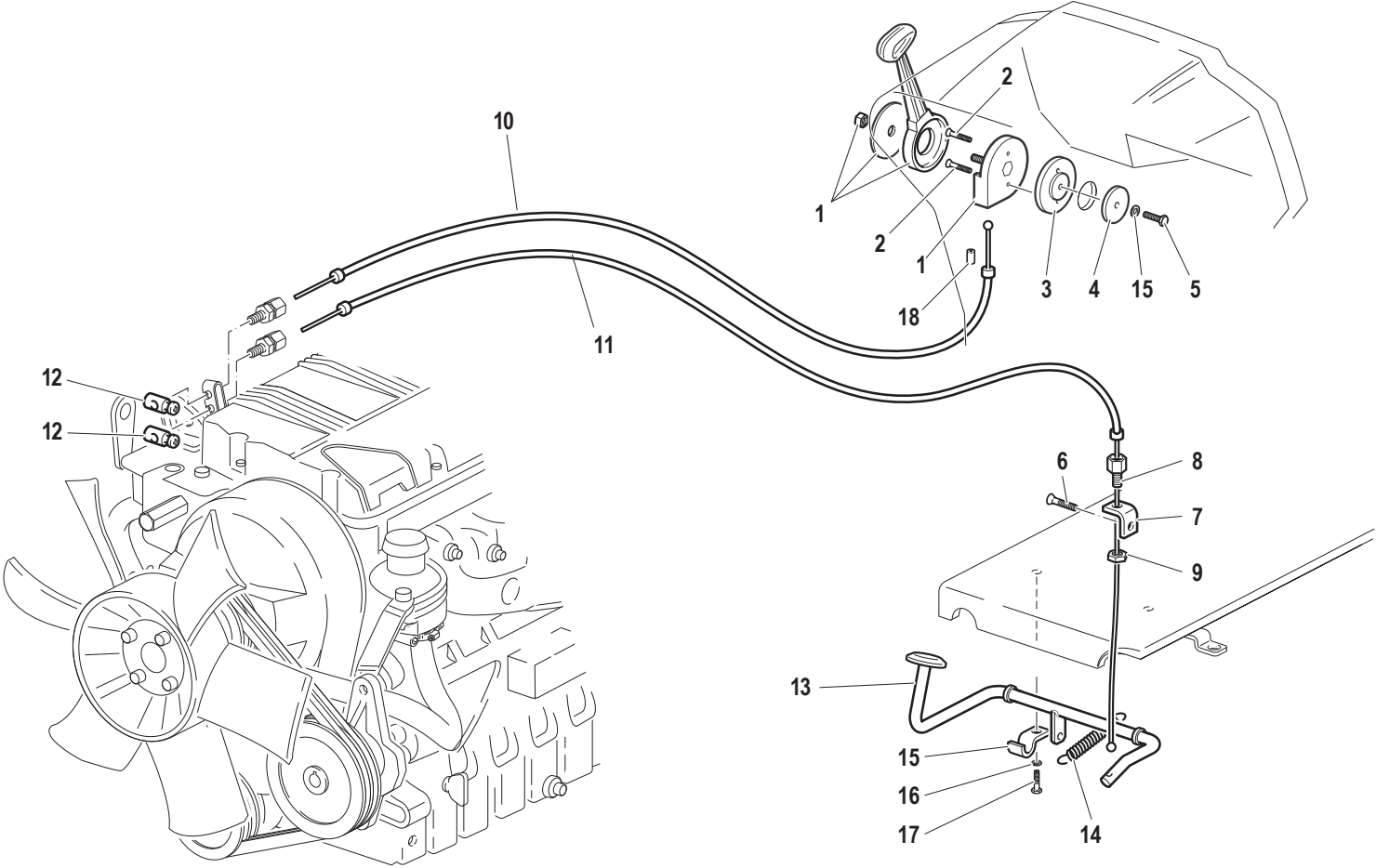
<b>Code</b>	<b>Description</b>	<b>Notes</b>
A.01.01.L10001_0	ENGINE (30 CV)	
A.02.01.L10001_0	ENGINE CONTROLS	
A.03.01.L10001_0	COOLER	
A.04.01.L10001_0	AIR FILTER	
A.05.01.L10001_0	FUEL TANK	
A.05.01.L10001_1	FUEL TANK	
B.01.01.L10001_0	BODY	
B.01.01.L10001_1	BODY	
B.02.01.L10001_0	MUD-GUARDS AND FLOOR BOARDS	
B.02.01.L10001_1	MUD-GUARDS AND FLOOR BOARDS	
B.02.01.L10001_2	MUD-GUARDS AND FLOOR BOARDS	
B.02.01.L10001_3	MUD-GUARDS AND FLOOR BOARDS	
B.02.01.L10001_4	MUD-GUARDS AND FLOOR BOARDS	
B.04.01.L10001_0	PLATES	
B.04.01.L10001_1	PLATES	
B.05.01.L10001_0	DASHBOARD AND STEERING WHEEL	
B.06.01.L10001_0	SEAT "SEAT"	
B.06.02.L10001_0	SEAT "MT"	
B.06.03.L10001_0	SEAT (KAB)	
B.07.01.L10001_0	SEAT CONNECTION	
C.01.01.L10001_0	FRONT AXLE	
C.02.01.L10001_0	INTERMEDIATE SECTION	
C.02.01.L10001_1	INTERMEDIATE SECTION	
C.03.01.L10001_0	REAR AXLE	
D.01.01.L10001_0	FRONT TRASMISSION	
D.02.01.L10001_0	CLUTCH	
D.02.01.L10001_1	CLUTCH	
D.03.01.L10001_0	BRAKES	
D.04.01.L10001_0	BRAKES CONTROL UNITS	
D.05.01.L10001_0	MAIN SHAFT AND CORRESPONDING GEARS	
D.06.01.L10001_0	TRANSMISSION SHAFT GEARS	
D.07.01.L10001_0	CHANGE GEAR CONTROLS	
D.07.01.L10001_1	CHANGE GEAR CONTROLS	
D.08.01.L10001_0	REAR TRASMISSION	

Code	Description	Notes
D.09.01.L10001_0	DIFFERENTIAL GEAR LOCK	
D.10.01.L10001_0	POWER TAKE-OFF	
D.11.01.L10001_0	POWER TAKE-OFF CONTROLS	
E.01.01.L10001_0	FRONT ELECTRICAL SYSTEM	
E.01.01.L10001_1	FRONT ELECTRICAL SYSTEM	
E.01.01.L10001_2	FRONT ELECTRICAL SYSTEM	
E.01.01.L10001_3	FRONT ELECTRICAL SYSTEM	
E.02.01.L10001_0	BATTERY AND REAR ELECTRICAL SYSTEM	
E.02.01.L10001_1	BATTERY AND REAR ELECTRICAL SYSTEM	
F.01.01.L10001_0	STEERING HYDRAULIC SYSTEM	
G.01.01.L10001_0	HYDRAULIC LIFT	
G.02.01.L10001_0	HYDRAULIC SYSTEM	
G.02.01.L10001_1	HYDRAULIC SYSTEM	
G.03.01.L10001_0	2ND LIFTING HYDRAULIC JACK	
G.03.01.L10001_1	2ND LIFTING HYDRAULIC JACK	
G.04.01.L10001_0	ONE ADDITIONAL CONTROL VALVE FOR "AR"	
G.05.01.L10001_0	TWO OR THREE ADDITIONAL CONTROL VALVES FOR "AR"	
I.01.01.L10001_0	AUXILIARY CONTROL VALVES	
L.01.01.L10001_0	IMPLEMENTS ATTACHMENT	
L.02.01.L10001_0	DRAWBAR "EEC" TYPE APPROVED	
M.01.01.L10001_0	WHEELS AND TYRES (TABLE 1/2)	
M.01.01.L10001_1	WHEELS AND TYRES (TABLE 1/2)	
M.02.01.L10001_0	WHEELS AND TYRES (TABLE 1/2)	
M.02.01.L10001_1	WHEELS AND TYRES (TABLE 1/2)	

**LOMBARDINI**  
 MOTORE "LDW 1003 / B3" - 3 CILINDRI  
 "LDW 1003 / B3" ENGINE - 3 CYLINDERS  
 MOTEUR "LDW 1003 / B3" - 3 CYLINDRES  
 "LDW 1003 / B3" MOTOR - 3 ZYLINDERN  
 MOTOR "LDW 1003 / B3" - 3 CILINDROS

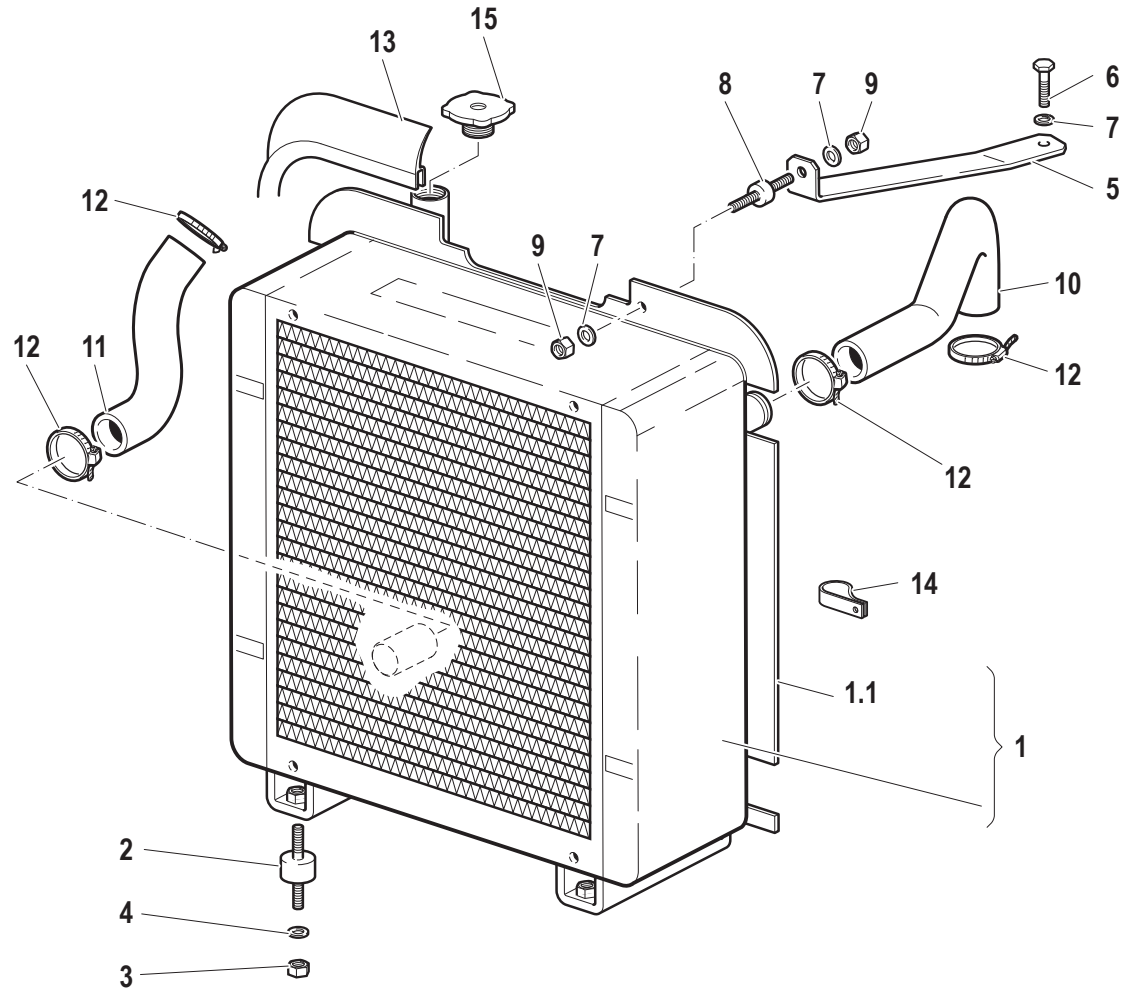


Pos.	Code	Q.ty	Description	Notes
1	41N40003	1	MOT LOMB LDW1003/B3 K2A44C1 *	
1.1	59900192	1	FUEL FILTER	
1.2	59900193	1	FUEL FILTER CARTRIDGE	
1.3	59900223	1	OIL FILTER	
1.4	59900227	1	FAN	
1.5	58171633	1	FLANGE	
1.6	59900222	1	ENGINE BELT	
1.7	F0834378001	1	CENTRAL PROCESSING UNIT	
2	56173058	1	FILTER SUPPORT	
3	31112219	1	SCREW TE M10X25 UNI 5739	
4	31411105	1	WASHER 10,5x21	
5	31112148	1	SCREW TE M8X18 UNI 5739 8G	
6	F0843643060	1	WASHER 8	
7	59073007	1	EXHAUST MANIFOLD	
8	58173010	1	COLLAR	
9	56173009	1	RETAINER	
10	31112147	1	SCREW TE M8X18 UNI 5739 8G	
11	58173616	1	EXHAUST SILENCER	
12	F0838131000	1	STUD BOLT	
13	31211080	1	NUT M8	
14	56173204	1	SMALL COLUMN	
15	56173065	1	SUPPORT	
16	F0861929060	1	SCREW M5X12 UNI 5739	
17	F0843561000	1	WASHER 5	
18	F0814525000	1	NUT	



Pos.	Code	Q.ty	Description	Notes
1	F0828029070	0	ACCELERATOR	
2	31132562	0	SCREW TSVEI M6X16 UNI 5933	
3	56171877	0	FLANGE	
4	56171883	0	WASHER	
5	31112150	0	SCREW TE M8X20 UNI 5739 8G	
6	31132566	0	SCREW TSVEI M8X20 UNI 5933	
7	56172929	0	PLATE	
8	F0858021000	0	REGISTER	
9	31231080	0	NUT M8	
10	58072074	0	CABLE	
11	58072492	0	CABLE	
12	58048002	0	CLAMPING SCREW	
13	59073429	0	ACCEL. PEDAL	
14	58073227	0	SPRING	
15	56071768	0	PLATE	
16	F0843643060	0	WASHER 8	
17	31112148	0	SCREW TE M8X18 UNI 5739 8G	
18	F0858520000	1	SLEEVE	

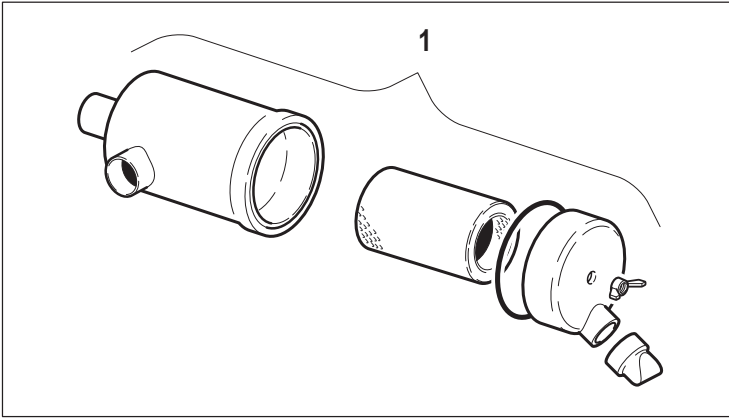
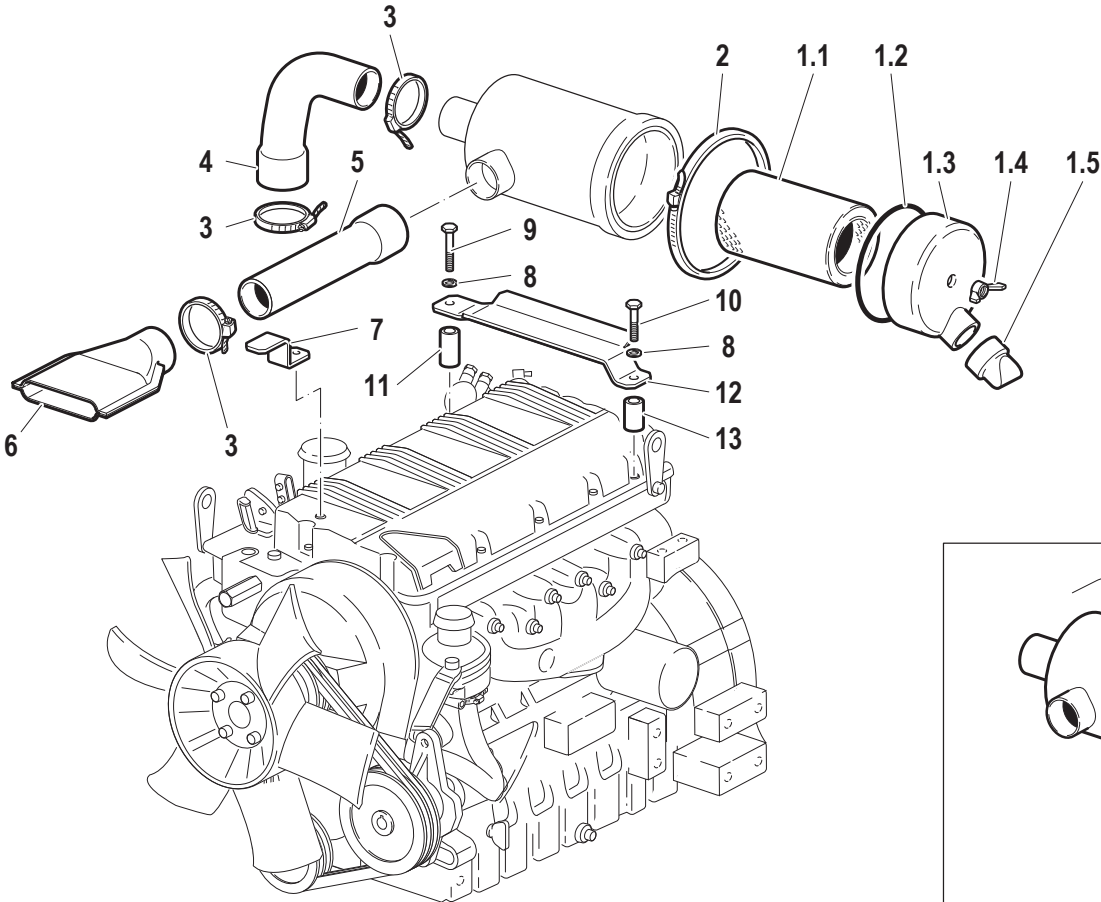
COOLER





Pos.	Code	Q.ty	Description	Notes
1	58178704	1	RADIATOR	
1.1	58175052	1	DUCT	
2	58174093	2	SILENT-BLOCK	
3	31211080	2	NUT M8	
4	F0843643060	2	WASHER 8	
5	56173012	1	BRACKET	
6	31112090	1	SCREW TE M6X16 UNI 5739 8G	
7	F0843570000	3	WASHER 6	
8	F0849206005	1	SILENT-BLOCK	
9	31211060	2	HEXAGONAL NUT M8	
10	55172995	1	SLEEVE	
11	55172994	1	SLEEVE	
12	F0817523010	4	CLAMP	
13	F0256809050	1	GASKET	
14	F0825415050	1	CLAMP	
15	59900540	1	COOLER PLUG	

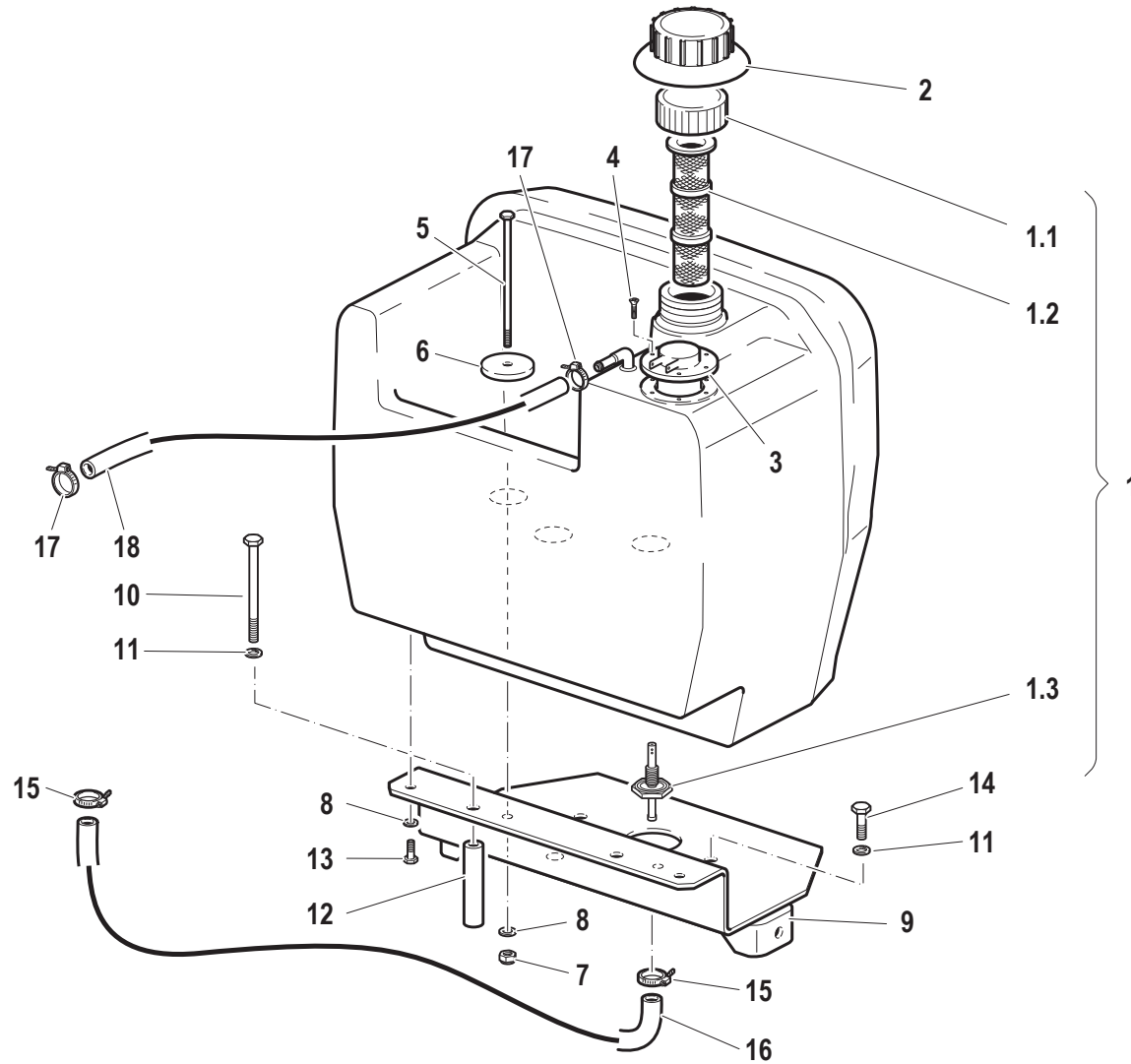
AIR FILTER



Pos.	Code	Q.ty	Description	Notes
1	58172996	1	AIR FILTER	
1.1	58172999	1	AIR FILTER CARTRIDGE	
1.2	59900217	1	GASKET	
1.3	59900218	1	COVER	
1.4	59900219	1	FLOAT LEVEL	
1.5	59900220	1	VALVE	
2	F0817603000	1	CLAMP	
3	F0817568000	3	CLAMP	
4	55172997	1	SLEEVE	
5	56172998	1	PIPE	
6	57371825	1	SOCKET	
7	56173013	1	RETAINER	
8	F0843570000	2	WASHER 6	
9	31111097	1	SCREW TE M6X45 UNI 5737 8G	
10	31112082	1	SCREW TE M6X12 UNI 5739 8G	
11	56172992	1	SPACER	
12	56172985	1	RETAINER	
13	56172993	1	SPACER	

FUEL TANK

SERIAL END 915486



Pos.	Code	Q.ty	Description	Notes
1	55273089	1	FUEL TANK	
1.1	F0849500001	1	TANK COVER	
1.2	F0849500002	1	FILTER	
1.3	57174884	1	PIPE FITTING	
2	57371900	1	LINING	
3	58173187	1	CONTROL	
4	F0861867050	1	SCREW M4,2X19 DIN 7981	
5	F0863097070	1	SCREW M8X170 UNI 5737	
6	56170275	1	SPACER	
7	31241080	1	HEXAGON SELFLOCK NUT M8	
8	F0843643060	1	WASHER 8	
9	59073090	1	TANK SUPPORT	
10	31112224	1	SCREW	
11	F0843755000	1	WASHER 10	
12	56171775	1	SPACER	
13	31112147	1	SCREW TE M8X18 UNI 5739 8G	
14	31112210	1	SCREW TE M10X20 UNI 5739	
15	F0817512000	1	CLAMP	
16	58073237	1	PIPE	
17	F0817505000	1	CLAMP	
18	58073238	1	FLEXIBLE HOSE	

SERIAL  
END  
**915486**

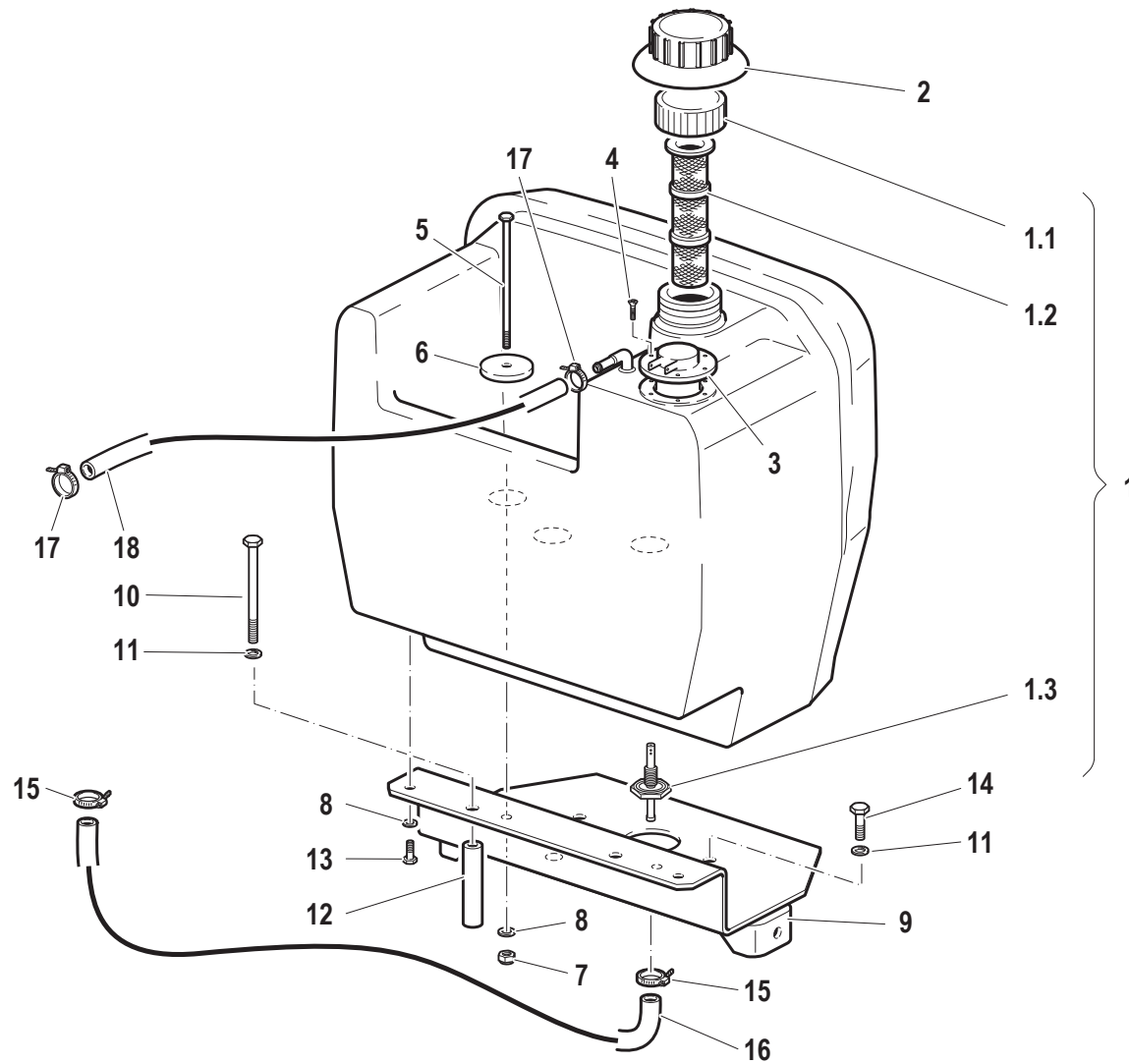
**FUEL TANK**

CODE REV

**A.05.01.L10001\_0**

FUEL TANK

SERIAL START 915487



Pos.	Code	Q.ty	Description	Notes
13	31112147	1	SCREW TE M8X18 UNI 5739 8G	
14	31112210	1	SCREW TE M10X20 UNI 5739	
10	31112224	1	SCREW	
7	31241080	1	HEXAGON SELFLOCK NUT M8	
1	55273089	1	FUEL TANK	
6	56170275	1	SPACER	
12	56171775	1	SPACER	
9	56173124	1	RETAINING PLATE	
1.3	57174884	1	PIPE FITTING	
2	57371900	1	LINING	
16	58073237	1	PIPE	
18	58073238	1	FLEXIBLE HOSE	
3	58173187	1	CONTROL	
17	F0817505000	1	CLAMP	
15	F0817512000	1	CLAMP	
8	F0843643060	1	WASHER 8	
11	F0843755000	1	WASHER 10	
1.1	F0849500001	1	TANK COVER	
1.2	F0849500002	1	FILTER	
4	F0861867050	1	SCREW M4,2X19 DIN 7981	
5	F0863097070	1	SCREW M8X170 UNI 5737	

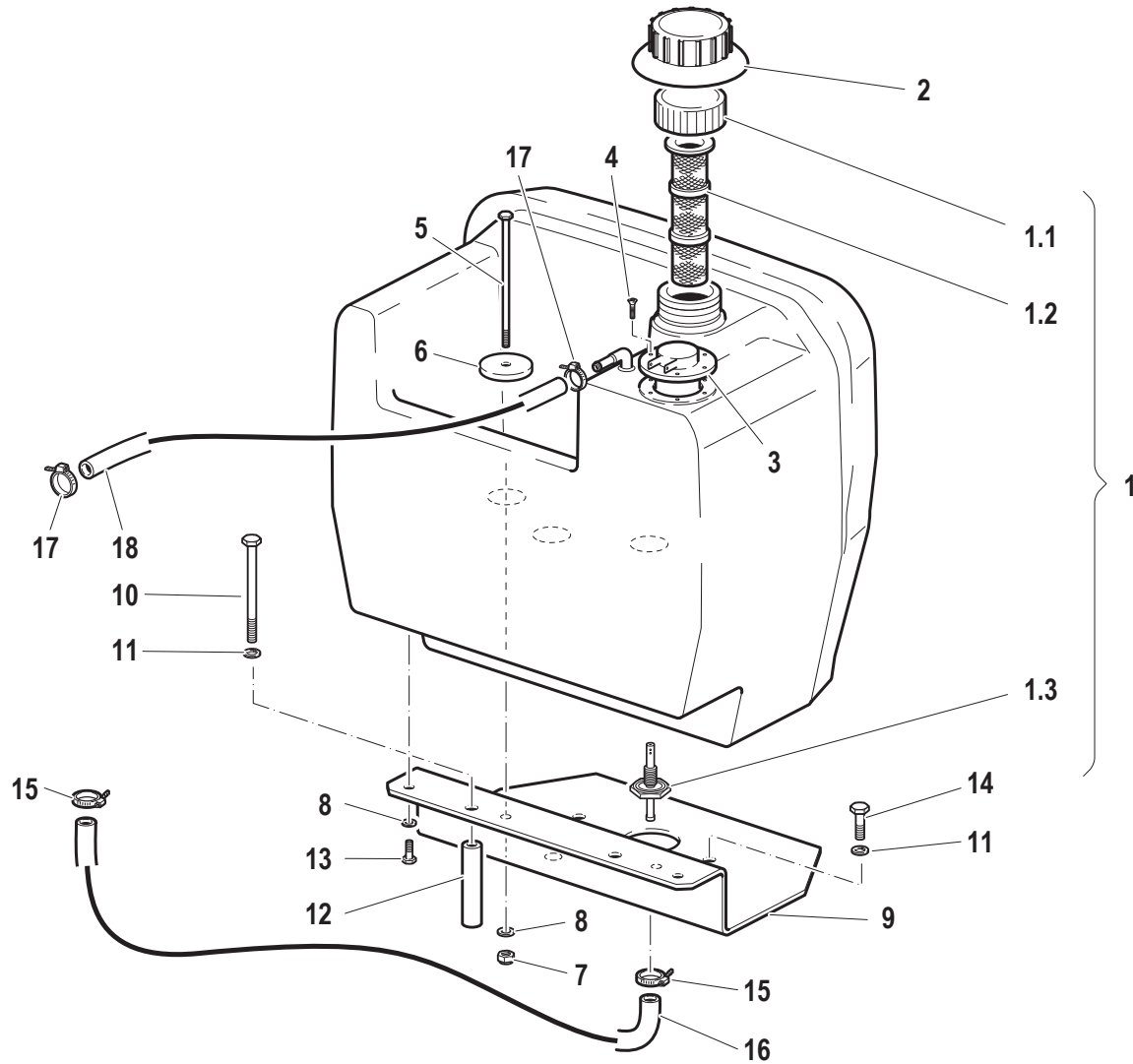
SERIAL  
START  
**915487**

**FUEL TANK**

CODE REV

**A.05.01.L10001\_1**

# FUEL TANK





Pos.	Code	Q.ty	Description	Notes
13	31112147	1	SCREW TE M8X18 UNI 5739 8G	
14	31112210	1	SCREW TE M10X20 UNI 5739	
10	31112224	1	SCREW	
7	31241080	1	HEXAGON SELFLOCK NUT M8	
1	55273089	1	FUEL TANK	
6	56170275	1	SPACER	
12	56171775	1	SPACER	
9	56173124	1	RETAINING PLATE	
1.3	57174884	1	PIPE FITTING	
2	57371900	1	LINING	
16	58073237	1	PIPE	
18	58073238	1	FLEXIBLE HOSE	
3	58173187	1	CONTROL	
17	F0817505000	1	CLAMP	
15	F0817512000	1	CLAMP	
8	F0843643060	1	WASHER 8	
11	F0843755000	1	WASHER 10	
1.1	F0849500001	1	TANK COVER	
1.2	F0849500002	1	FILTER	
4	F0861867050	1	SCREW M4,2X19 DIN 7981	
5	F0863097070	1	SCREW M8X170 UNI 5737	

SERIAL  
START  
**915487**

**FUEL TANK**

CODE REV

**A.05.01.L10001\_1**



# FUEL TANK

CODE REV

**A.05.01.L10001\_1**

SERIAL START 915487



SERBATOIO CARBURANTE

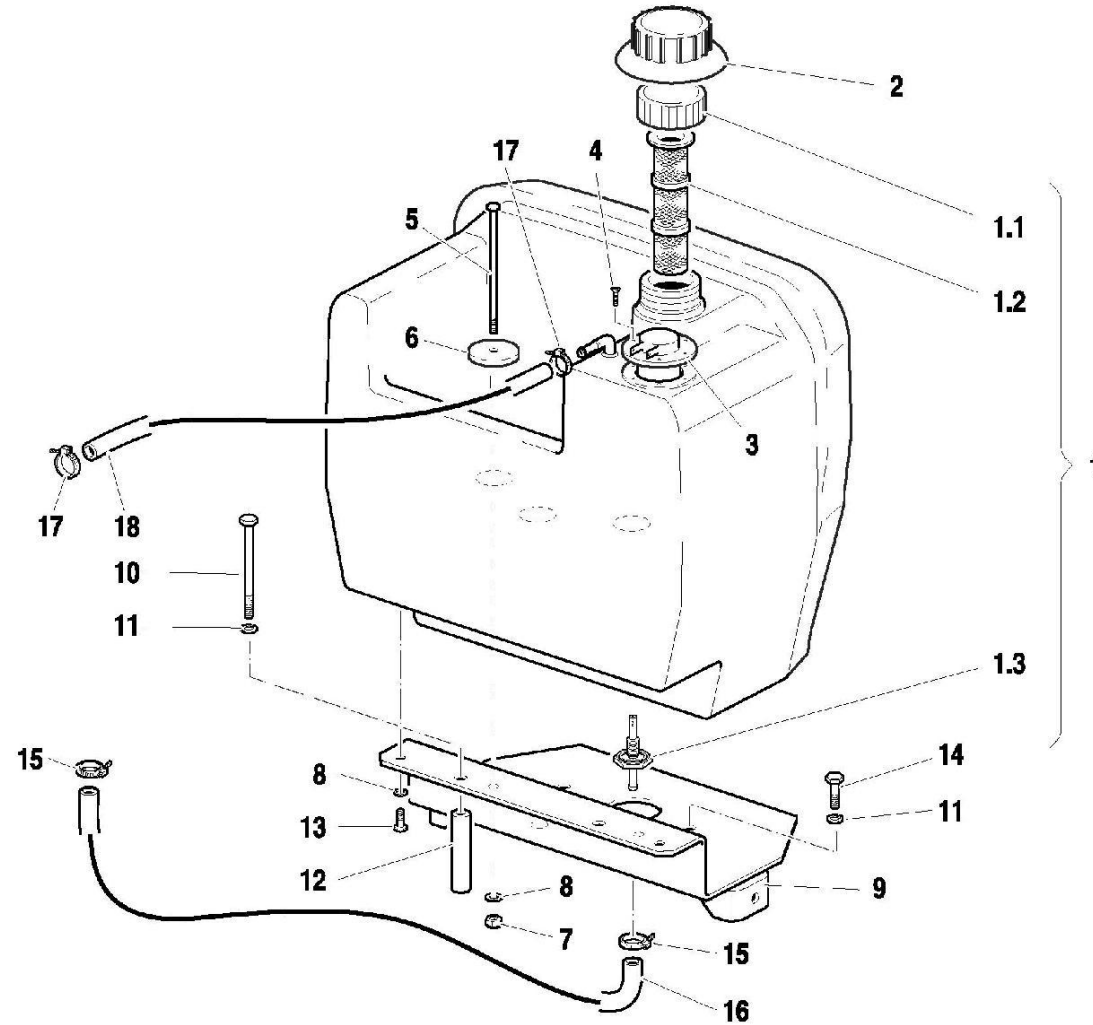
FUEL TANK  
RESERVOIR A CARBURANT  
KRAFTSTOFF BEHÄLTER  
DEPOSITO CARBURANTE

Tavola Rev. Data

<b>A.05.01</b>	-	<b>1</b>	04/2002
----------------	---	----------	---------

1/1

RS	AR
•	•



100001

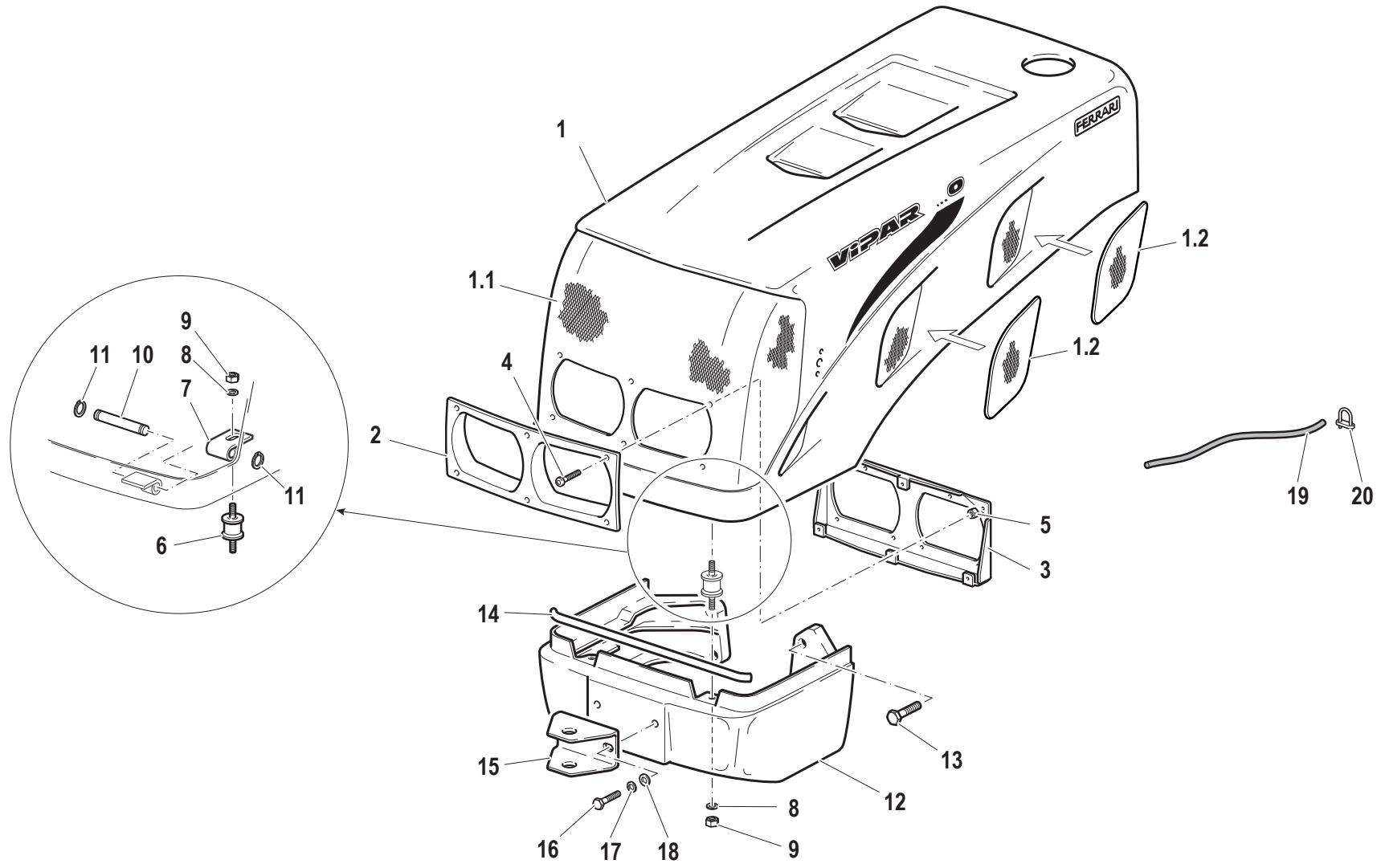
Pos.	Code	Q.ty	Description	Notes
13	31112147	1	SCREW TE M8X18 UNI 5739 8G	
14	31112210	1	SCREW TE M10X20 UNI 5739	
10	31112224	1	SCREW	
7	31241080	1	HEXAGON SELFLOCK NUT M8	
1	55273089	1	FUEL TANK	
6	56170275	1	SPACER	
12	56171775	1	SPACER	
9	56173124	1	RETAINING PLATE	
1.3	57174884	1	PIPE FITTING	
2	57371900	1	LINING	
16	58073237	1	PIPE	
18	58073238	1	FLEXIBLE HOSE	
3	58173187	1	CONTROL	
17	F0817505000	1	CLAMP	
15	F0817512000	1	CLAMP	
8	F0843643060	1	WASHER 8	
11	F0843755000	1	WASHER 10	
1.1	F0849500001	1	TANK COVER	
1.2	F0849500002	1	FILTER	
4	F0861867050	1	SCREW M4,2X19 DIN 7981	
5	F0863097070	1	SCREW M8X170 UNI 5737	

SERIAL  
START  
**915487**

**FUEL TANK**

CODE REV

**A.05.01.L10001\_1**



Pos.	Code	Q.ty	Description	Notes
1	59900265		BONNET	
1.1	56173083		FRONT GRILL	
1.2	56174427		FRONT GRILL	
1.3	59074091		BONNET	
2	57373097		FRONT GRILLE	
3	59073098		SUPPORT	
4	F0862479040		SCREW M6X20 7380	
5	F0814647000		NUT M10	
6	F0849211010		SILENT-BLOCK	
7	56071684		BRACKET	
8	F0843755000		WASHER 10	
9	F0814629010		NUT	
10	56071681		HINGE PIN	
11	35211060		SEEGER RING	
12	51172965		FRONT SUPPORT	
13	F0863951000		SCREW M12X45 UNI 5737	
14	F0256910000		FOAM PROFILE 5X20	
15	56174873		TOW HOOK	
16	31112272		SCREW TE M12X30 UNI 5739	
17	F0843843060		WASHER 12	
18	31411130		WASHER 13x24	
19	F0252929002		CRATE	
20	F0859070000		TERMINAL	

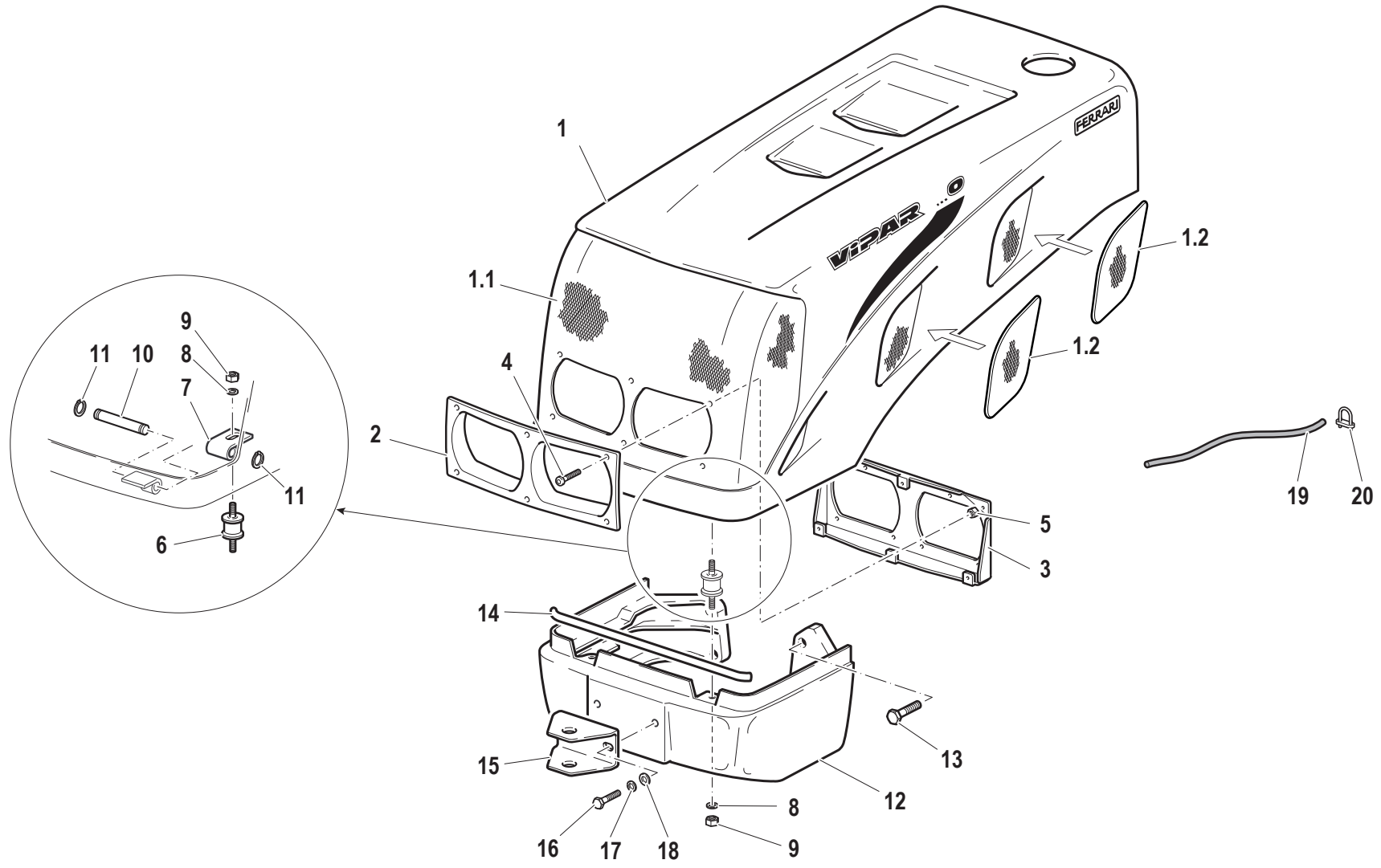
SERIAL  
END

400050

BODY

CODE REV

B.01.01.L10001\_0



Pos.	Code	Q.ty	Description	Notes
1	59900269	0	BONNET	
1.1	56177693	1	FRONT GRILL	
1.2	56174427	0	FRONT GRILL	
1.3	59077689		BONNET	
2	57373097	0	FRONT GRILLE	
3	59073098	0	SUPPORT	
4	F0862479040	0	SCREW M6X20 7380	
5	F0814647000	0	NUT M10	
6	F0849211010	0	SILENT-BLOCK	
7	56071684	0	BRACKET	
8	F0843755000	0	WASHER 10	
9	F0814629010	0	NUT	
10	56071681	0	HINGE PIN	
11	35211060	0	SEEGER RING	
12	51172965	0	FRONT SUPPORT	
13	F0863951000	0	SCREW M12X45 UNI 5737	
14	F0256910000	0	FOAM PROFILE 5X20	
15	56174873	0	TOW HOOK	
16	31112272	0	SCREW TE M12X30 UNI 5739	
17	F0843843060	0	WASHER 12	
18	31411130	0	WASHER 13x24	
19	F0252929002	0	CRATE	
20	F0859070030	1	TERMINAL	
21	59075283	1	PIN	
22	F0851497000	1	SPLIT PIN	

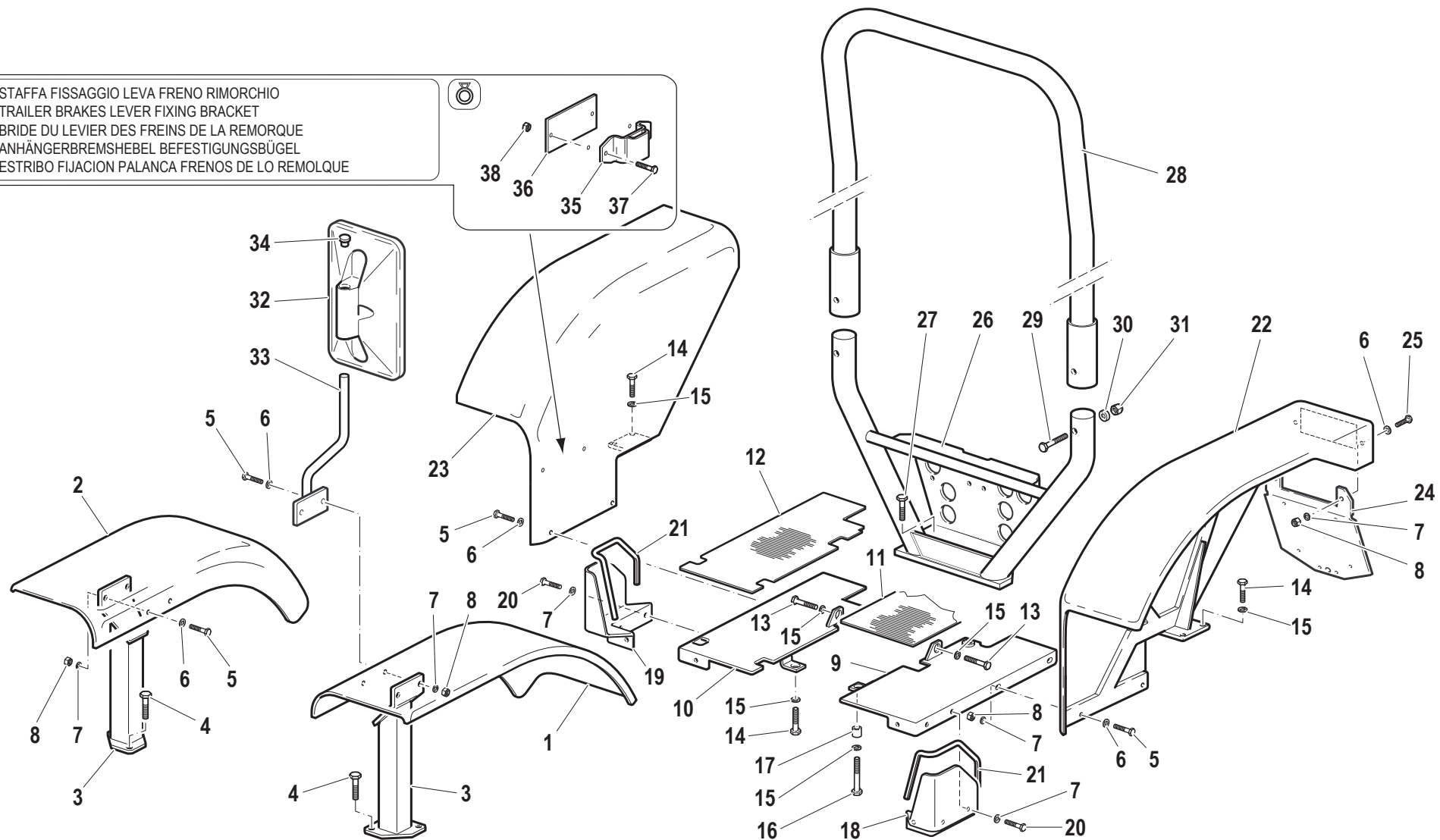
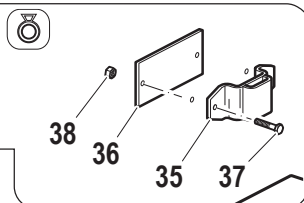
SERIAL  
START  
**400051**

**BODY**

CODE REV

**B.01.01.L10001\_1**

- STAFFA FISSAGGIO LEVA FRENO RIMORCHIO
- TRAILER BRAKES LEVER FIXING BRACKET
- BRIDE DU LEVIER DES FREINS DE LA REMORQUE
- ANHÄNGERBREMSHEBEL BEFESTIGUNGSBÜGEL
- ESTRIBO FIJACION PALANCA FRENOS DE LO REMOLQUE





Pos.	Code	Q.ty	Description	Notes
1	59073522	0	LEFT FRONT FENDER	
2	59073524	0	RIGHT FRONT FENDER	
3	59073888	0	CONNECTION	
4	31112271	0	SCREW TE M12X25 UNI 5739	
5	31112153	0	SCREW TE M8X35 UNI 5739 8G	
6	31411084	0	WASHER 8,4x17	
7	F0843643060	0	WASHER 8	
8	F0814574000	0	NUT	
9	59073430	0	LEFT FOOTBOARD	
10	59073431	0	RIGHT FOOTBOARD	
11	57374207	0	FOOTREST COVER	
12	57374208	0	FOOTREST COVER	
13	31112210	0	SCREW TE M10X20 UNI 5739	
14	31112219	0	SCREW TE M10X25 UNI 5739	
15	F0843755000	0	WASHER 10	
16	F0863328000	0	SCREW	
17	56173110	0	SPACER	
18	56073439	0	FRONT DEFLECTOR	
19	56073438	0	FRONT DEFLECTOR	
20	31112148	0	SCREW TE M8X18 UNI 5739 8G	
21	F0256808000	0	FLAT BAND	
22	59073128	0	LEFT REAR FENDER	
23	59073129	0	RIGHT REAR FENDER	
24	59073139	0	PLATE HOLDER	
25	31111151	0	SCREW TE M8X16 UNI 5739 8G	
26	59072940	0	SUPPORT	
27	31112254	0	SCREW TE M12X30UNI5739	
28	59072945	0	SAFETY ROLL BAR	
29	31112293	0	SCREW TE M12X80 UNI 5737	
30	56172964	0	SPACER	
31	58170634	0	SELFLOCK NUT M12	
32	30000514	0	REAR VIEW MIRROR	
33	59073799	0	SUPPORT	
34	58170968	0	PLUG	

SERIAL  
END

400050

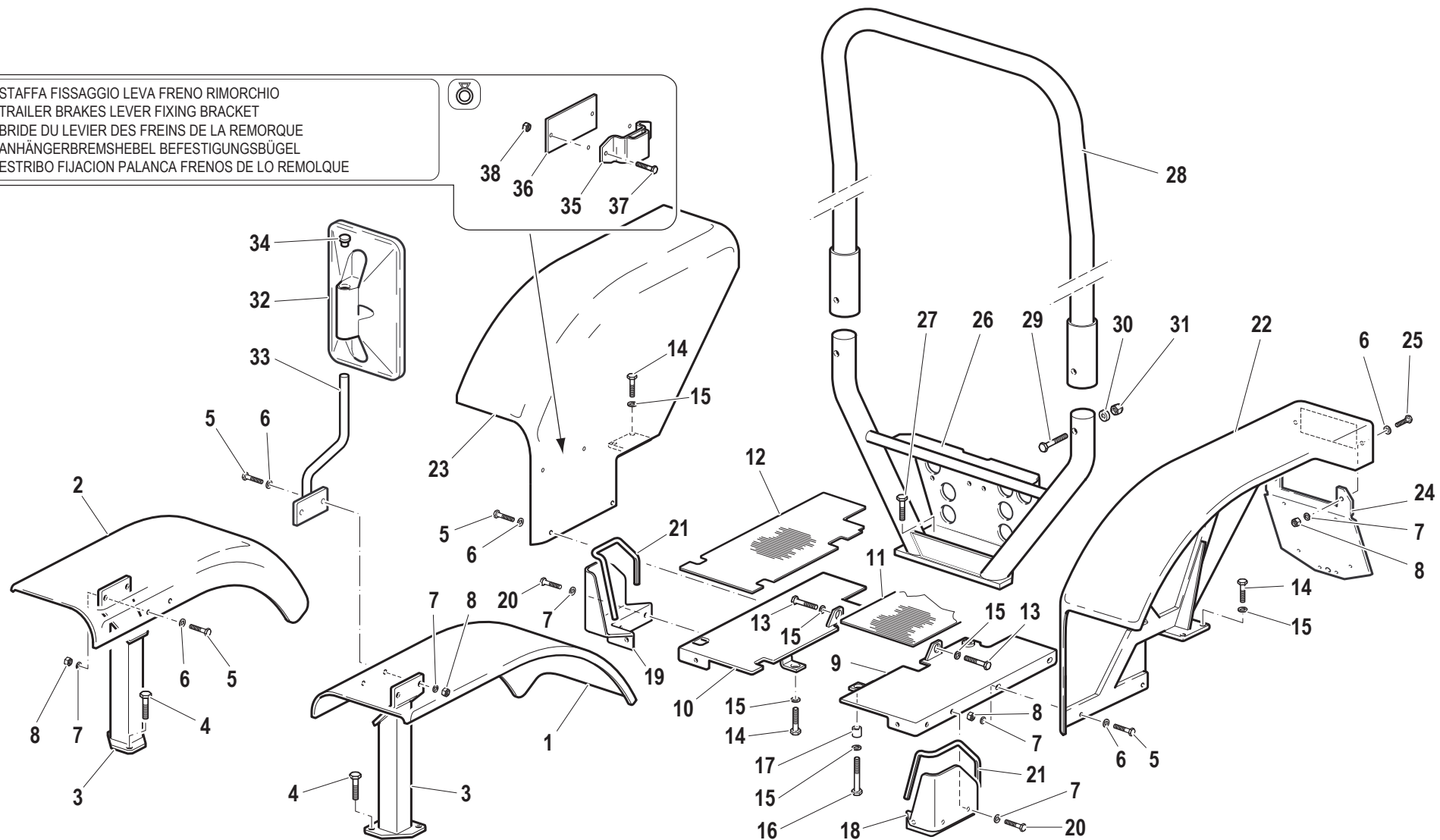
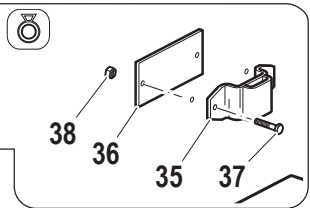
MUD-GUARDS AND FLOOR BOARDS

CODE REV

B.02.01.L10001\_0

# MUD-GUARDS AND FLOOR BOARDS

- STAFFA FISSAGGIO LEVA FRENO RIMORCHIO
- TRAILER BRAKES LEVER FIXING BRACKET
- BRIDE DU LEVIER DES FREINS DE LA REMORQUE
- ANHÄNGERBREMSHEBEL BEFESTIGUNGSBÜGEL
- ESTRIBO FIJACION PALANCA FRENOS DE LO REMOLQUE



Pos.	Code	Q.ty	Description	Notes
35	59070592	0	LEVER BEARING	
36	56172129	0	BRACKET FASTENER	
37	31112219	0	SCREW TE M10X25 UNI 5739	
38	31241100	0	SELFLOCK HEXAGON NUT M10	

SERIAL  
END

**400050**

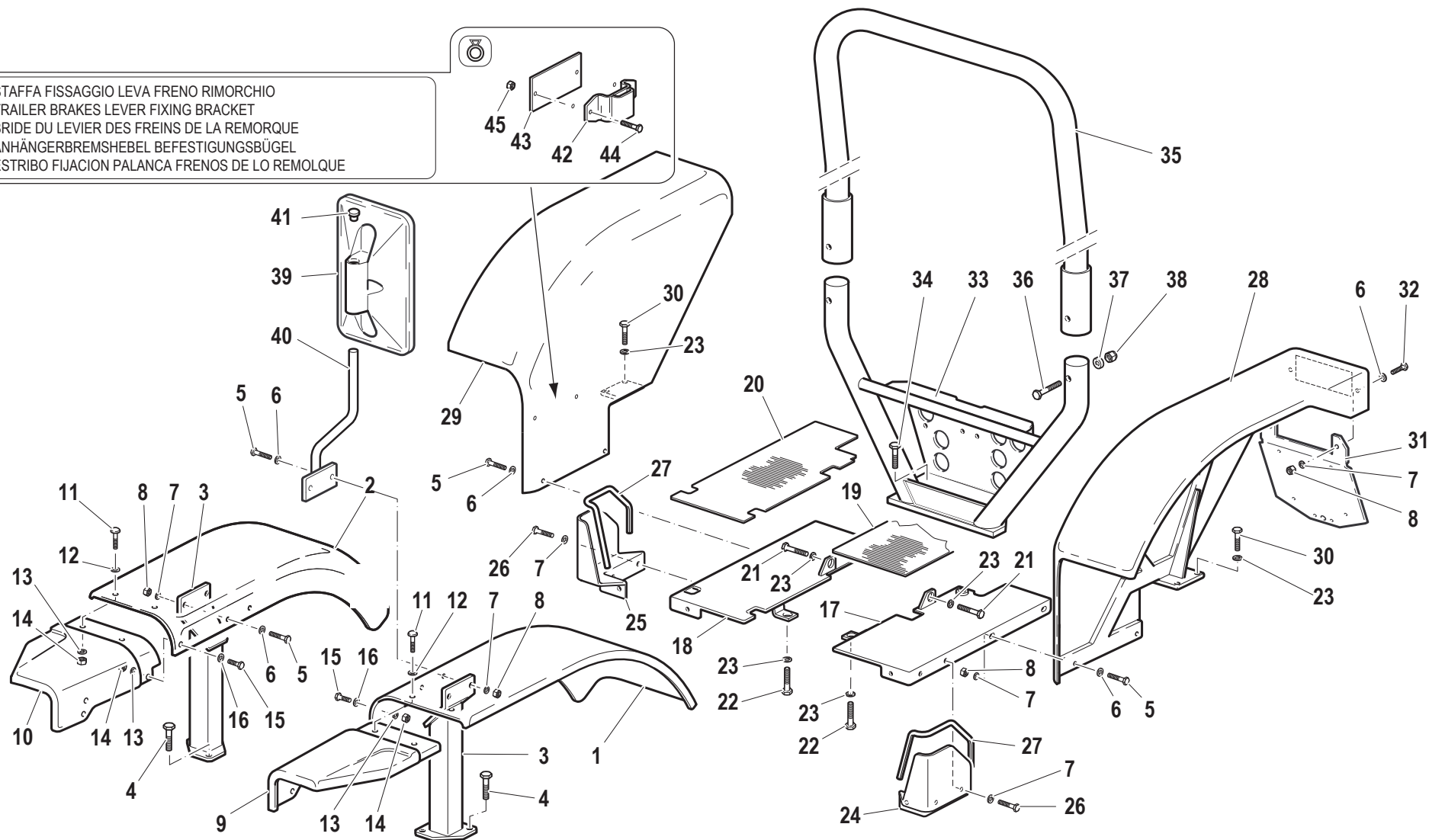
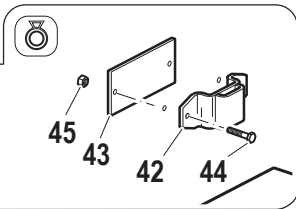
**MUD-GUARDS AND FLOOR BOARDS**

CODE REV

**B.02.01.L10001\_0**

# MUD-GUARDS AND FLLOR BOARDS

- STAFFA FISSAGGIO LEVA FRENO RIMORCHIO
- TRAILER BRAKES LEVER FIXING BRACKET
- BRIDE DU LEVIER DES FREINS DE LA REMORQUE
- ANHÄNGERBREMSHEBEL BEFESTIGUNGSBÜGEL
- ESTRIBO FIJACION PALANCA FRENOS DE LO REMOLQUE



Pos.	Code	Q.ty	Description	Notes
1	59074862	0	LEFT FRONT FENDER	
2	59074863	0	RIGHT FRONT FENDER	
3	59073888	0	CONNECTION	
4	31112271	0	SCREW TE M12X25 UNI 5739	
5	31112153	0	SCREW TE M8X35 UNI 5739 8G	
6	31411084	0	WASHER 8,4x17	
7	F0843643060	0	WASHER 8	
8	F0814574000	0	NUT	
9	57373746	0	SUPPORT	
10	57373745	0	SUPPORT	
11	31121560	0	SCREW TTQ M6X20 UNI 5731	
12	F0843570000	0	WASHER 6	
13	31411064	0	WASHER 6,4x12,5	
14	31211060	0	HEXAGONAL NUT M8	
15	31112087	0	SCREW TE M6X22 UNI 5739 8G	
16	31424064	0	SPRING WASHER 6,4	
17	59073430	0	LEFT FOOTBOARD	
18	59073431	0	RIGHT FOOTBOARD	
19	57374207	0	FOOTREST COVER	
20	57374208	0	FOOTREST COVER	
21	31112210	0	SCREW TE M10X20 UNI 5739	
22	31112211	0	SCREW TE M10X30 UNI 5739	
23	F0843755000	0	WASHER 10	
24	56073439	0	FRONT DEFLECTOR	
25	56073438	0	FRONT DEFLECTOR	
26	31112148	0	SCREW TE M8X18 UNI 5739 8G	
27	F0256808000	0	FLAT BAND	
28	59073128	0	LEFT REAR FENDER	
29	59073129	0	RIGHT REAR FENDER	
30	31112219	0	SCREW TE M10X25 UNI 5739	
31	59073139	0	PLATE HOLDER	
32	31111151	0	SCREW TE M8X16 UNI 5739 8G	
33	59072940	0	SUPPORT	
34	31112254	0	SCREW TE M12X30UNI5739	

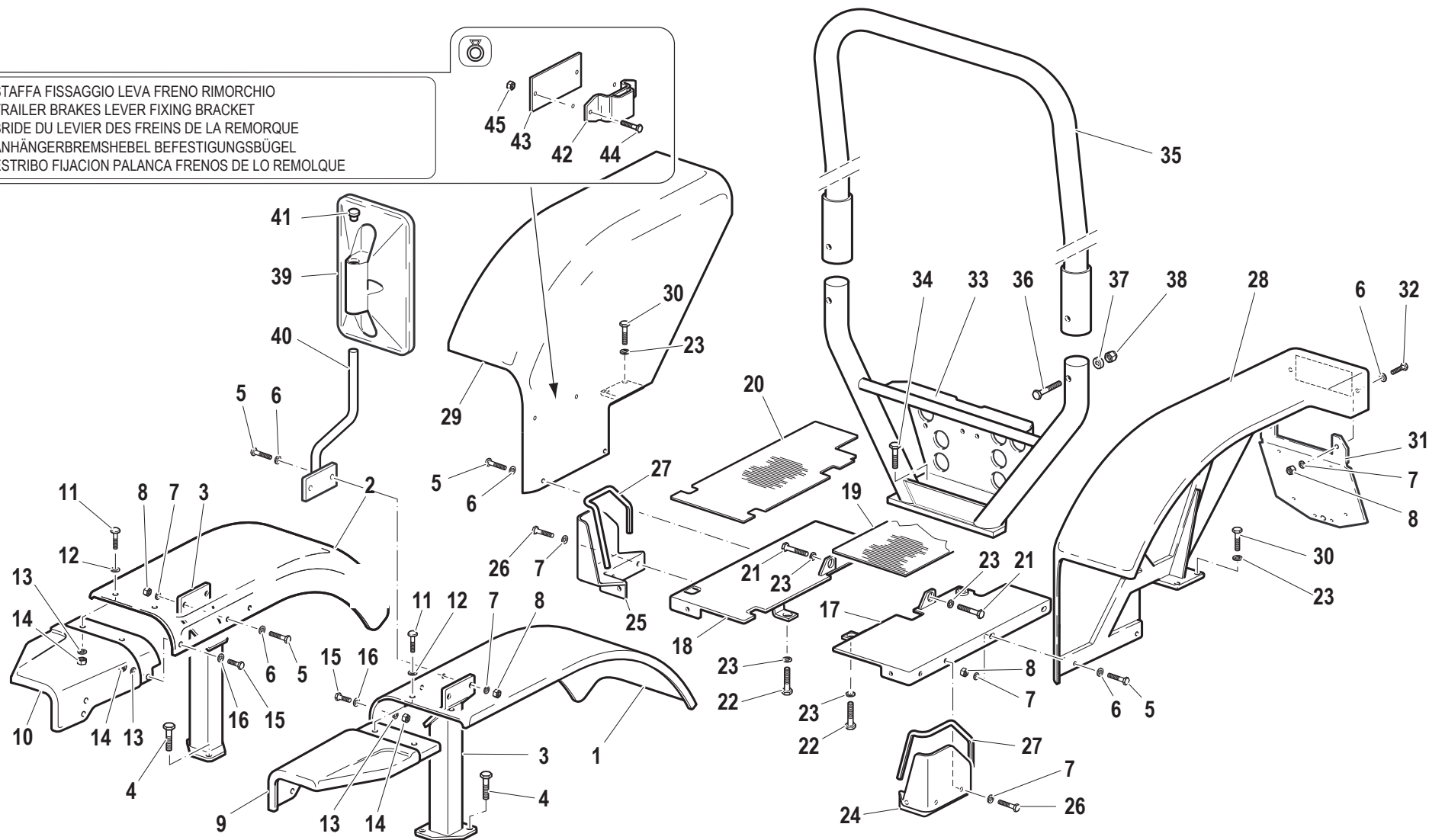
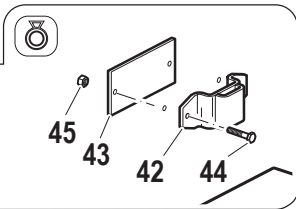
SERIAL  
START  
**400051**

**MUD-GUARDS AND FLLOR BOARDS**

CODE REV

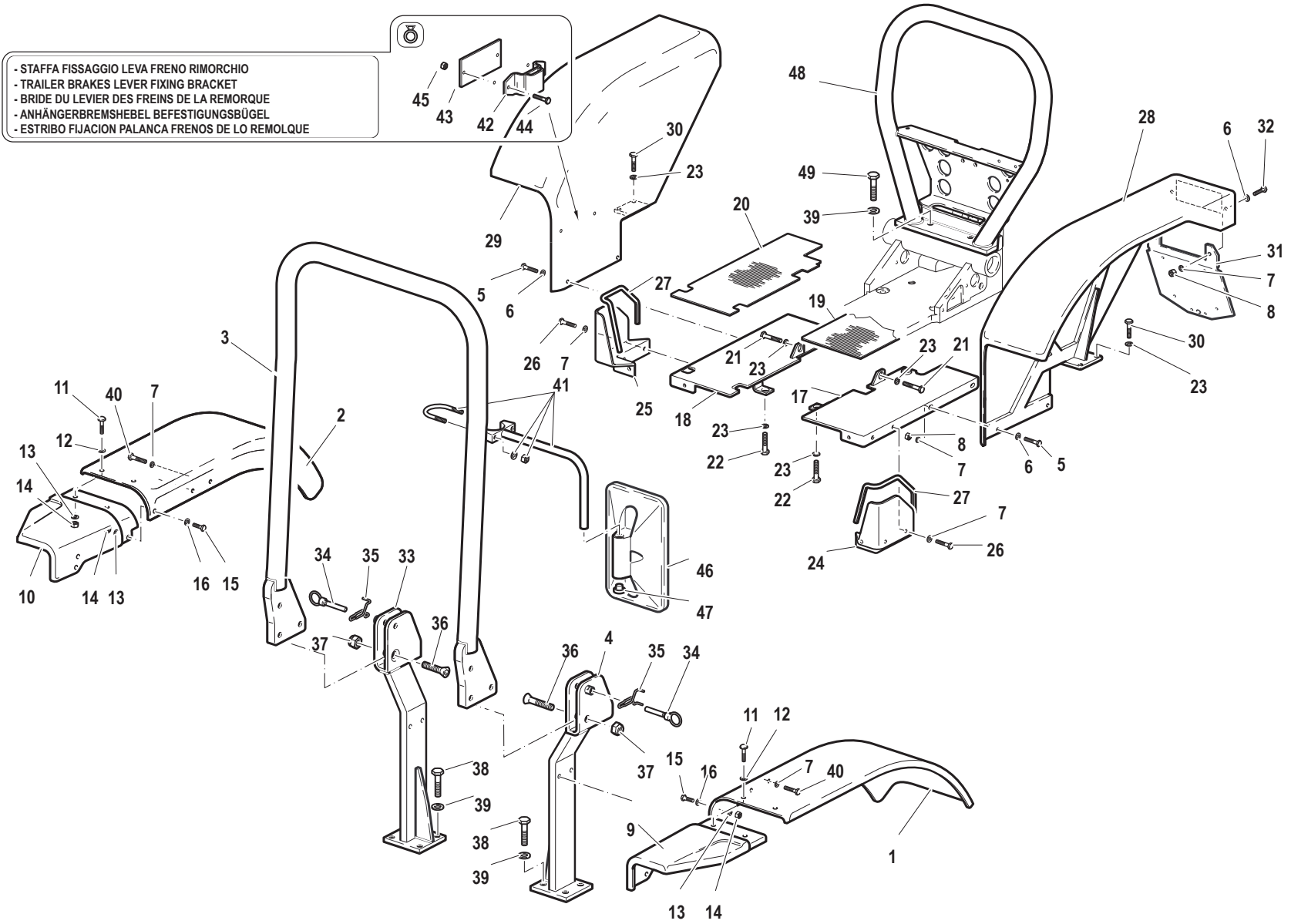
**B.02.01.L10001\_1**

- STAFFA FISSAGGIO LEVA FRENO RIMORCHIO
- TRAILER BRAKES LEVER FIXING BRACKET
- BRIDE DU LEVIER DES FREINS DE LA REMORQUE
- ANHÄNGERBREMSHEBEL BEFESTIGUNGSBÜGEL
- ESTRIBO FIJACION PALANCA FRENOS DE LO REMOLQUE



Pos.	Code	Q.ty	Description	Notes
35	59072945	0	SAFETY ROLL BAR	
36	31112293	0	SCREW TE M12X80 UNI 5737	
37	56172964	0	SPACER	
38	58170634	0	SELFLOCK NUT M12	
39	30000514	0	REAR VIEW MIRROR	
40	59073799	0	SUPPORT	
41	58170968	0	PLUG	
42	59070592	0	LEVER BEARING	
43	56172129	0	BRACKET FASTENER	
44	31112219	0	SCREW TE M10X25 UNI 5739	
45	F0814642020	0	SELFLOCK NUT M10	

# MUD-GUARDS AND FLOOR BOARDS





Pos.	Code	Q.ty	Description	Notes
1	59074862	1	LEFT FRONT FENDER	
2	59074863	1	RIGHT FRONT FENDER	
3	59074144	1	SAFETY ROLL BAR	
4	59074140	1	SUPPORT	
5	31112153	4	SCREW TE M8X35 UNI 5739 8G	
6	31411084	6	WASHER 8,4x17	
7	F0843643060	12	WASHER 8	
8	F0814574000	6	NUT	
9	57373746	1	SUPPORT	
10	57373745	1	SUPPORT	
11	31121560	4	SCREW TTQ M6X20 UNI 5731	
12	F0843570000	4	WASHER 6	
13	31411064	6	WASHER 6,4x12,5	
14	31211060	6	HEXAGONAL NUT M8	
15	31112087	2	SCREW TE M6X22 UNI 5739 8G	
16	31424064	2	SPRING WASHER 6,4	
17	59073430	1	LEFT FOOTBOARD	
18	59073431	1	RIGHT FOOTBOARD	
19	57374207	1	FOOTREST COVER	
20	57374208	1	FOOTREST COVER	
21	31112210	2	SCREW TE M10X20 UNI 5739	
22	31112211	2	SCREW TE M10X30 UNI 5739	
23	F0843755000	8	WASHER 10	
24	56073439	1	FRONT DEFLECTOR	
25	56073438	1	FRONT DEFLECTOR	
26	31112148	6	SCREW TE M8X18 UNI 5739 8G	
27	F0256808000	1	FLAT BAND	
28	59073128	1	LEFT REAR FENDER	
29	59073129	1	RIGHT REAR FENDER	
30	31112219	4	SCREW TE M10X25 UNI 5739	
31	59073139	1	PLATE HOLDER	
32	31111151	2	SCREW TE M8X16 UNI 5739 8G	
33	59074141	1	SUPPORT	
34	56175540	2	HINGE PIN	

SERIAL  
START  
**400051**

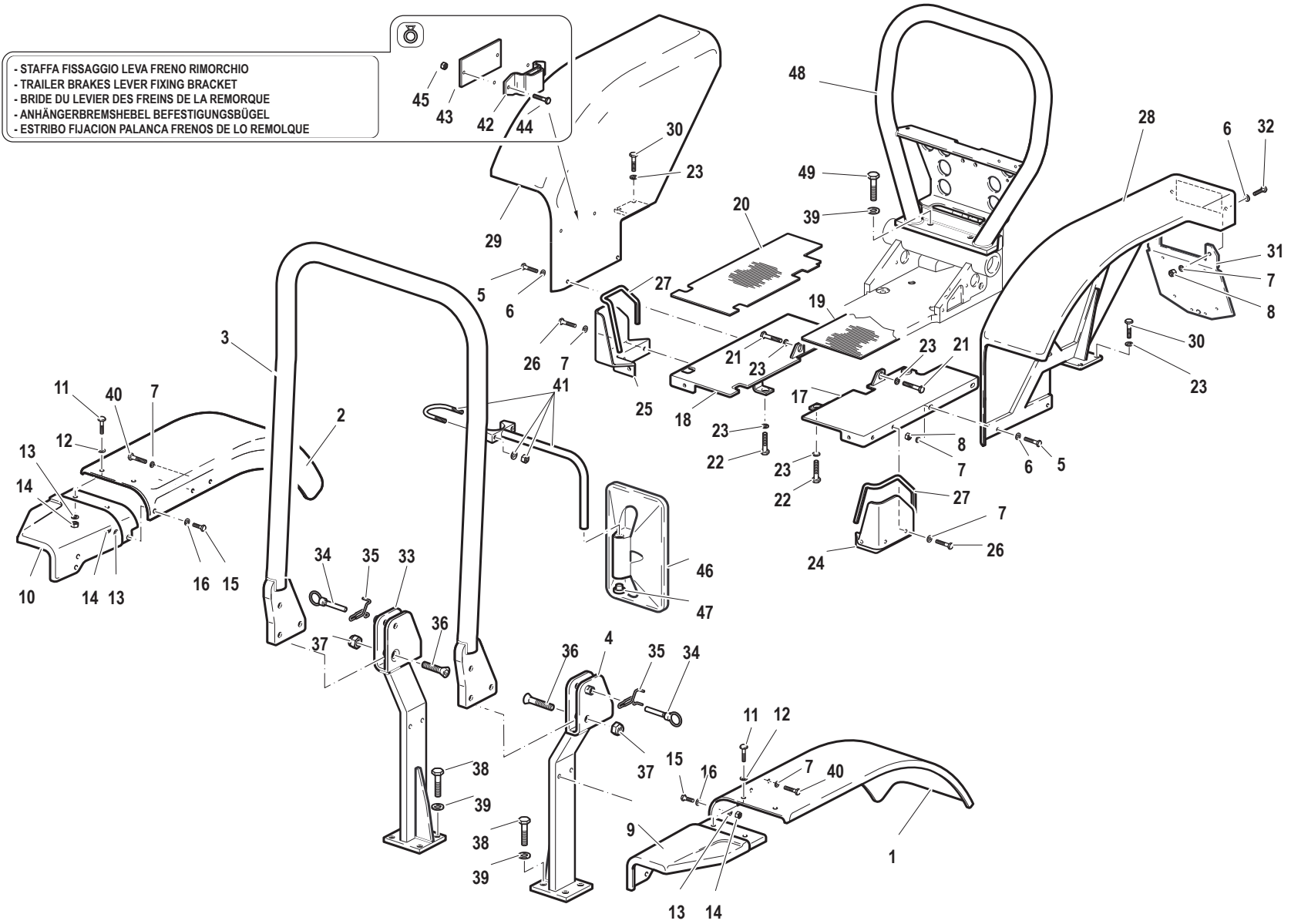
END  
**901029**

**MUD-GUARDS AND FLOOR BOARDS**

CODE REV

**B.02.01.L10001\_2**

# MUD-GUARDS AND FLOOR BOARDS



Pos.	Code	Q.ty	Description	Notes
35	58070097	2	SPRING	
36	F0864309100	2	SCREW	
37	31241140	2	SELFLOCK NUT	
38	31112272	8	SCREW TE M12X30 UNI 5739	
39	F0843843060	12	WASHER 12	
40	31112151	4	SCREW TE M8X25 UNI 5739 8G	
41	59070591	1	SUPPORT	
42	59070592	1	LEVER BEARING	
43	56172129	1	BRACKET FASTENER	
44	31112219	2	SCREW TE M10X25 UNI 5739	
45	F0814642020	2	SELFLOCK NUT M10	
46	30000514	1	REAR VIEW MIRROR	
47	58170968	1	PLUG	
48	59072114	1	SAFETY ROLL BAR	
49	31112264	4	SCREW TE M12X35 UNI 5739	

SERIAL  
START  
**400051**

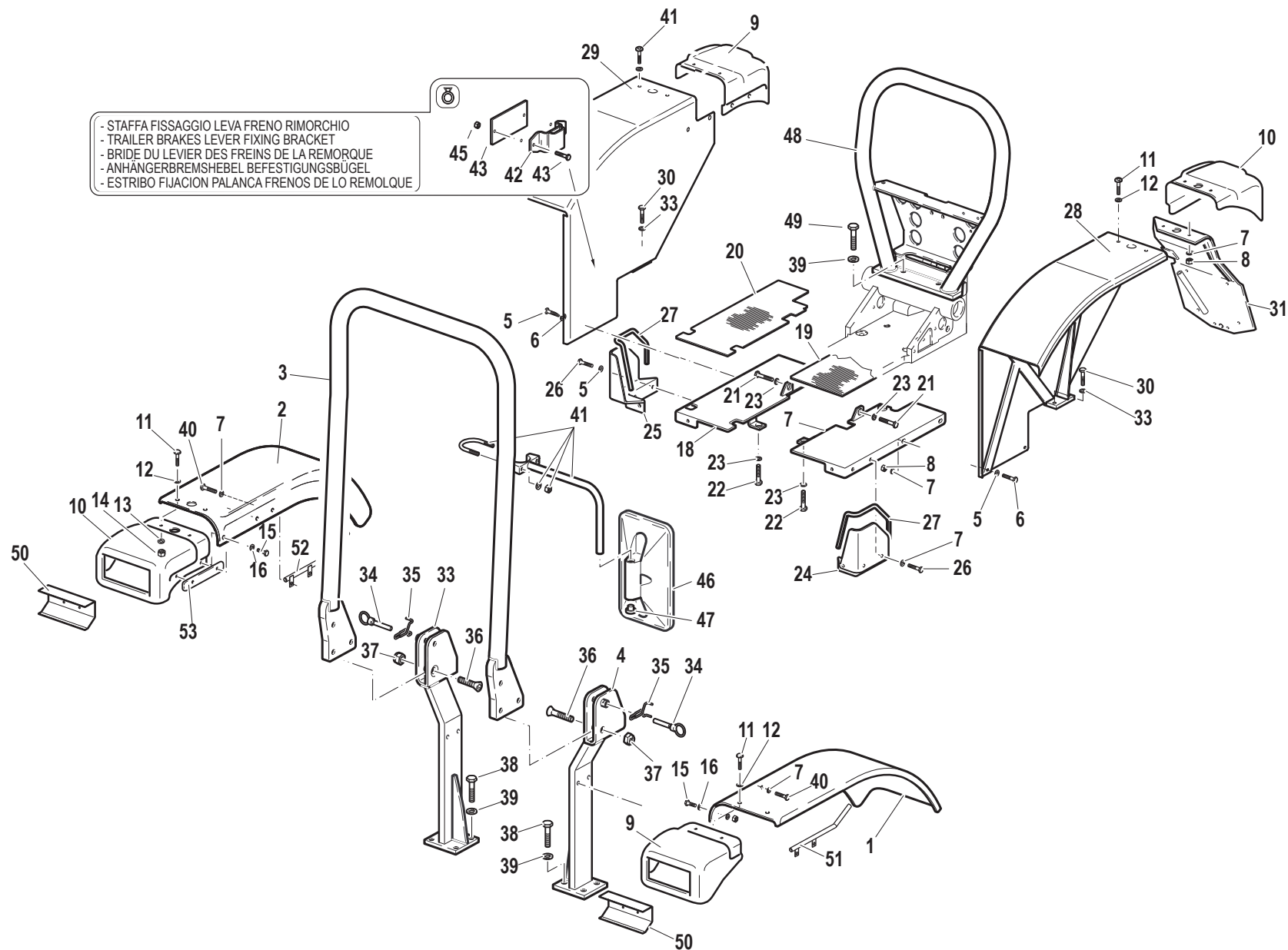
END  
**901029**

**MUD-GUARDS AND FLOOR BOARDS**

CODE REV

**B.02.01.L10001\_2**

# MUD-GUARDS AND FLOOR BOARDS



Pos.	Code	Q.ty	Description	Notes
1	59075505	1	LEFT FRONT FENDER	
2	59075509	1	RIGHT FRONT FENDER	
3	59074144	1	SAFETY ROLL BAR	
4	59074140	1	SUPPORT	
5	31112153	4	SCREW TE M8X35 UNI 5739 8G	
6	31411084	6	WASHER 8,4x17	
7	F0843643060	12	WASHER 8	
8	F0814574000	6	NUT	
9	57375344	1	SUPPORT	
10	57375345	1	SUPPORT	
11	31121560	4	SCREW TTQ M6X20 UNI 5731	
12	F0843570000	4	WASHER 6	
13	31411064	6	WASHER 6,4x12,5	
14	31211060	6	HEXAGONAL NUT M8	
15	31112087	2	SCREW TE M6X22 UNI 5739 8G	
16	31424064	2	SPRING WASHER 6,4	
17	59073430	1	LEFT FOOTBOARD	
18	59073431	1	RIGHT FOOTBOARD	
19	57374207	1	FOOTREST COVER	
20	57374208	1	FOOTREST COVER	
21	31112210	2	SCREW TE M10X20 UNI 5739	
22	31112211	2	SCREW TE M10X30 UNI 5739	
23	F0843755000	8	WASHER 10	
24	56073439	1	FRONT DEFLECTOR	
25	56073438	1	FRONT DEFLECTOR	
26	31112148	6	SCREW TE M8X18 UNI 5739 8G	
27	F0256808000	1	FLAT BAND	
28	59075497	1	LEFT REAR FENDER	
29	59075501	1	RIGHT REAR FENDER	
30	31112219	4	SCREW TE M10X25 UNI 5739	
31	59075490	1	LICENCE PLATE HOLD	
32	31111151	2	SCREW TE M8X16 UNI 5739 8G	
33	59074141	1	SUPPORT	
34	56175540	2	HINGE PIN	

SERIAL  
START  
**901030**

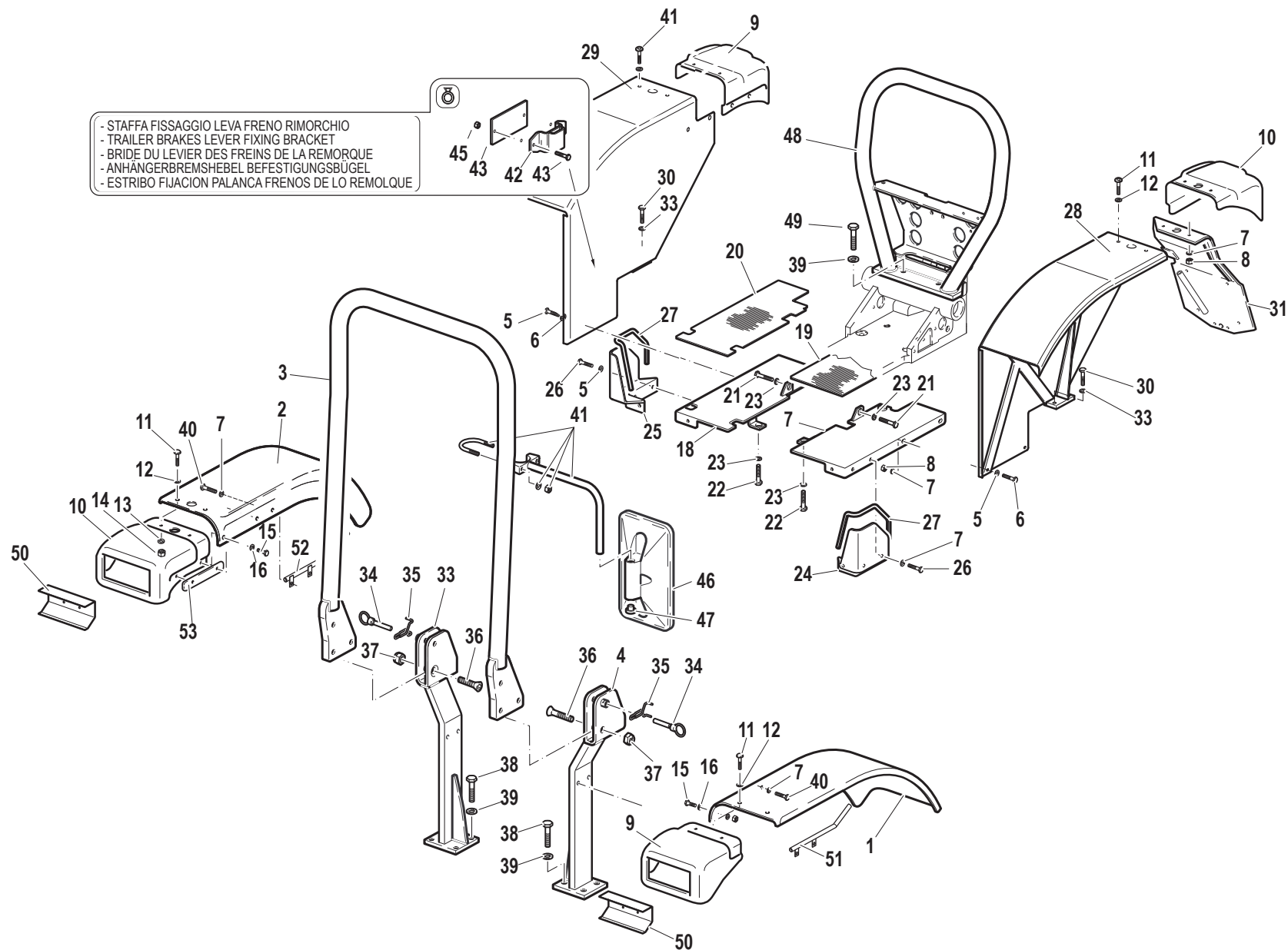
END  
**913420**

**MUD-GUARDS AND FLOOR BOARDS**

CODE REV

**B.02.01.L10001\_3**

# MUD-GUARDS AND FLOOR BOARDS



Pos.	Code	Q.ty	Description	Notes
35	58070097	2	SPRING	
36	F0864309100	2	SCREW	
37	31241140	2	SELFLOCK NUT	
38	31112272	8	SCREW TE M12X30 UNI 5739	
39	F0843843060	12	WASHER 12	
40	31112151	4	SCREW TE M8X25 UNI 5739 8G	
41	59070591	1	SUPPORT	
42	59070592	1	LEVER BEARING	
43	56172129	1	BRACKET FASTENER	
44	31112219	2	SCREW TE M10X25 UNI 5739	
45	F0814642020	2	SELFLOCK NUT M10	
46	30000514	1	REAR VIEW MIRROR	
47	58170968	1	PLUG	
48	59072114	1	SAFETY ROLL BAR	
49	31112264	4	SCREW TE M12X35 UNI 5739	
50	56171938	2	BRACKET	
51	59076413	1	CABLE BARRIER RAIL	
52	59076414	1	CABLE BARRIER RAIL	
53	56174135	2	FIXING BRACKET	

SERIAL  
START  
**901030**

END  
**913420**

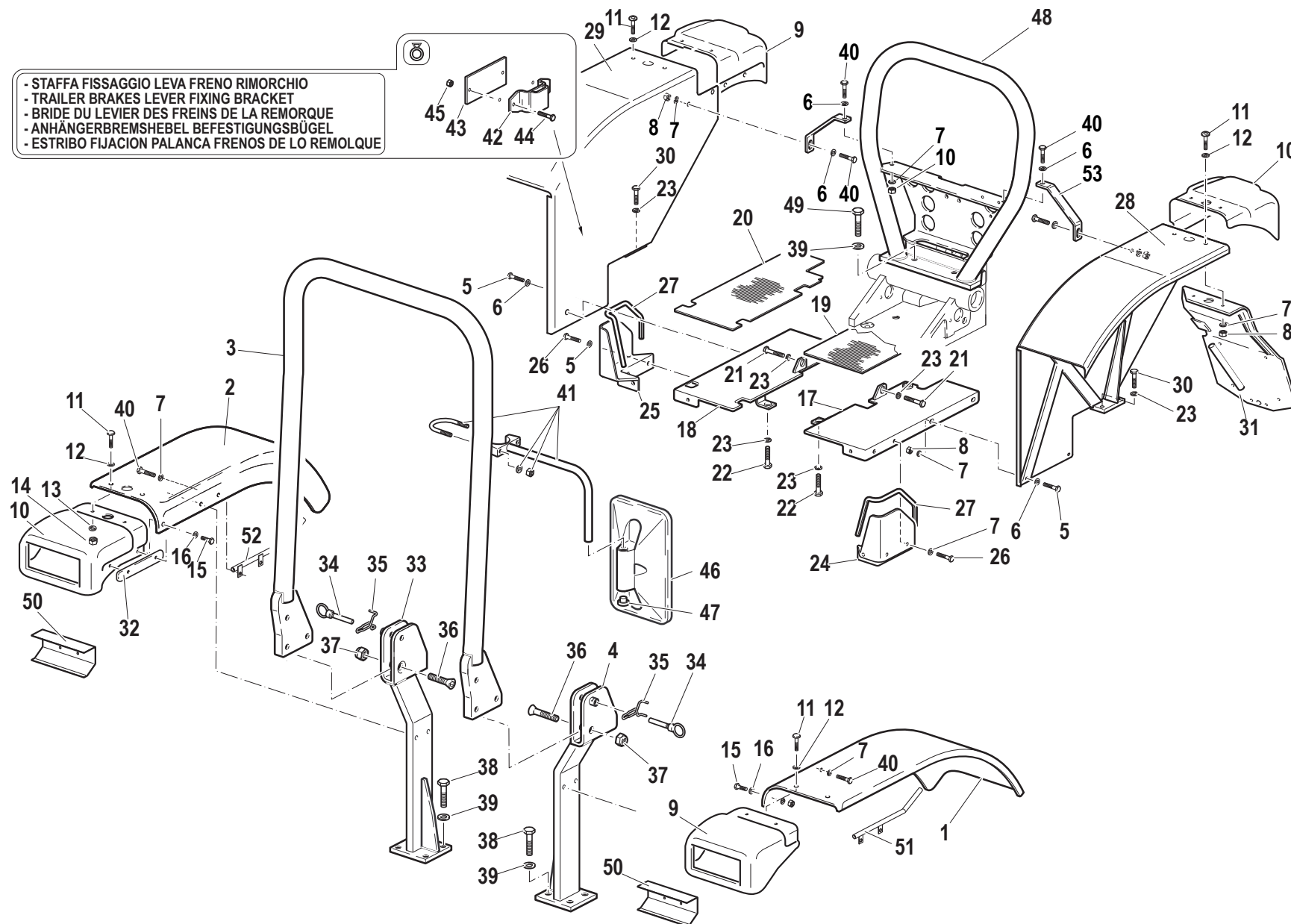
**MUD-GUARDS AND FLOOR BOARDS**

CODE REV

**B.02.01.L10001\_3**

# MUD-GUARDS AND FLOOR BOARDS

- STAFFA FISSAGGIO LEVA FRENO RIMORCHIO
- TRAILER BRAKES LEVER FIXING BRACKET
- BRIDE DU LEVIER DES FREINS DE LA REMORQUE
- ANHÄNGERBREMSHEBEL BEFESTIGUNGSBÜGEL
- ESTRIBO FIJACION PALANCA FRENOS DE LO REMOLQUE





Pos.	Code	Q.ty	Description	Notes
1	59075504V	1	LEFT FRONT FENDER	
2	59075508V	1	RIGHT FRONT FENDER	
3	59074144	1	SAFETY ROLL BAR	
4	59074140	1	SUPPORT	
5	31112153	4	SCREW TE M8X35 UNI 5739 8G	
6	31411084	10	WASHER 8,4x17	
7	F0843643060	16	WASHER 8	
8	F0814574000	10	NUT	
9	57375344	1	SUPPORT	
10	57375345	1	SUPPORT	
11	31121560	4	SCREW TTQ M6X20 UNI 5731	
12	F0843570000	4	WASHER 6	
13	31411064	6	WASHER 6,4x12,5	
14	31211060	6	HEXAGONAL NUT M8	
15	31112087	2	SCREW TE M6X22 UNI 5739 8G	
16	31424064	2	SPRING WASHER 6,4	
17	59073430	1	LEFT FOOTBOARD	
18	59073431	1	RIGHT FOOTBOARD	
19	57374207	1	FOOTREST COVER	
20	57374208	1	FOOTREST COVER	
21	31112210	2	SCREW TE M10X20 UNI 5739	
22	31112211	2	SCREW TE M10X30 UNI 5739	
23	F0843755000	8	WASHER 10	
24	56073439	1	FRONT DEFLECTOR	
25	56073438	1	FRONT DEFLECTOR	
26	31112148	6	SCREW TE M8X18 UNI 5739 8G	
27	F0256808000	1	FLAT BAND	
28	59078975V	1	LEFT REAR FENDER	
29	59078980V	1	RIGHT REAR FENDER	
30	31112219	4	SCREW TE M10X25 UNI 5739	
31	59075490	1	LICENCE PLATE HOLD	
32	56174135	2	FIXING BRACKET	
33	59074141	1	SUPPORT	
34	56175540	2	HINGE PIN	

SERIAL  
START  
**913421**

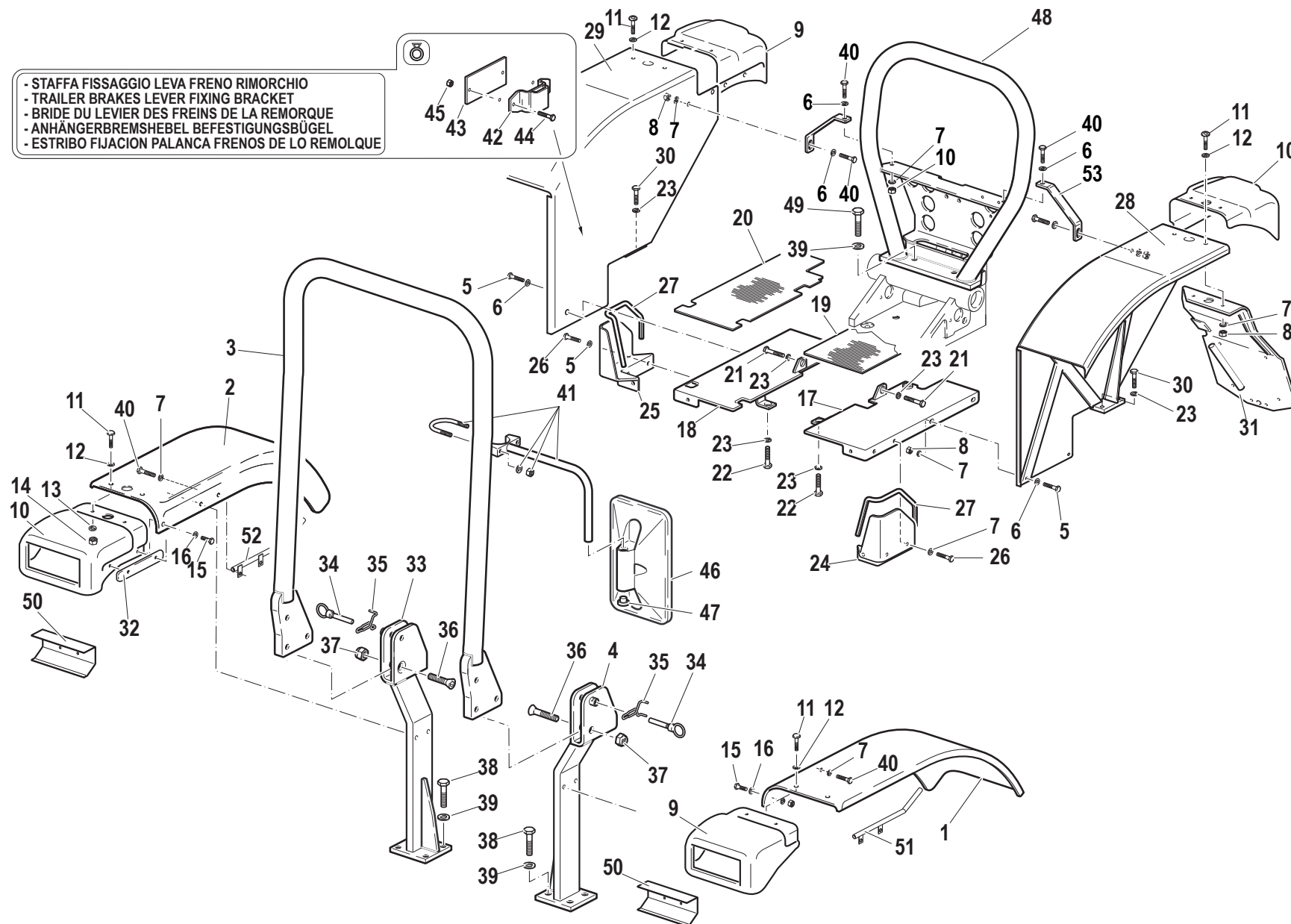
**MUD-GUARDS AND FLOOR BOARDS**

CODE REV

**B.02.01.L10001\_4**

# MUD-GUARDS AND FLOOR BOARDS

- STAFFA FISSAGGIO LEVA FRENO RIMORCHIO
- TRAILER BRAKES LEVER FIXING BRACKET
- BRIDE DU LEVIER DES FREINS DE LA REMORQUE
- ANHÄNGERBREMSHEBEL BEFESTIGUNGSBÜGEL
- ESTRIBO FIJACION PALANCA FRENOS DE LO REMOLQUE

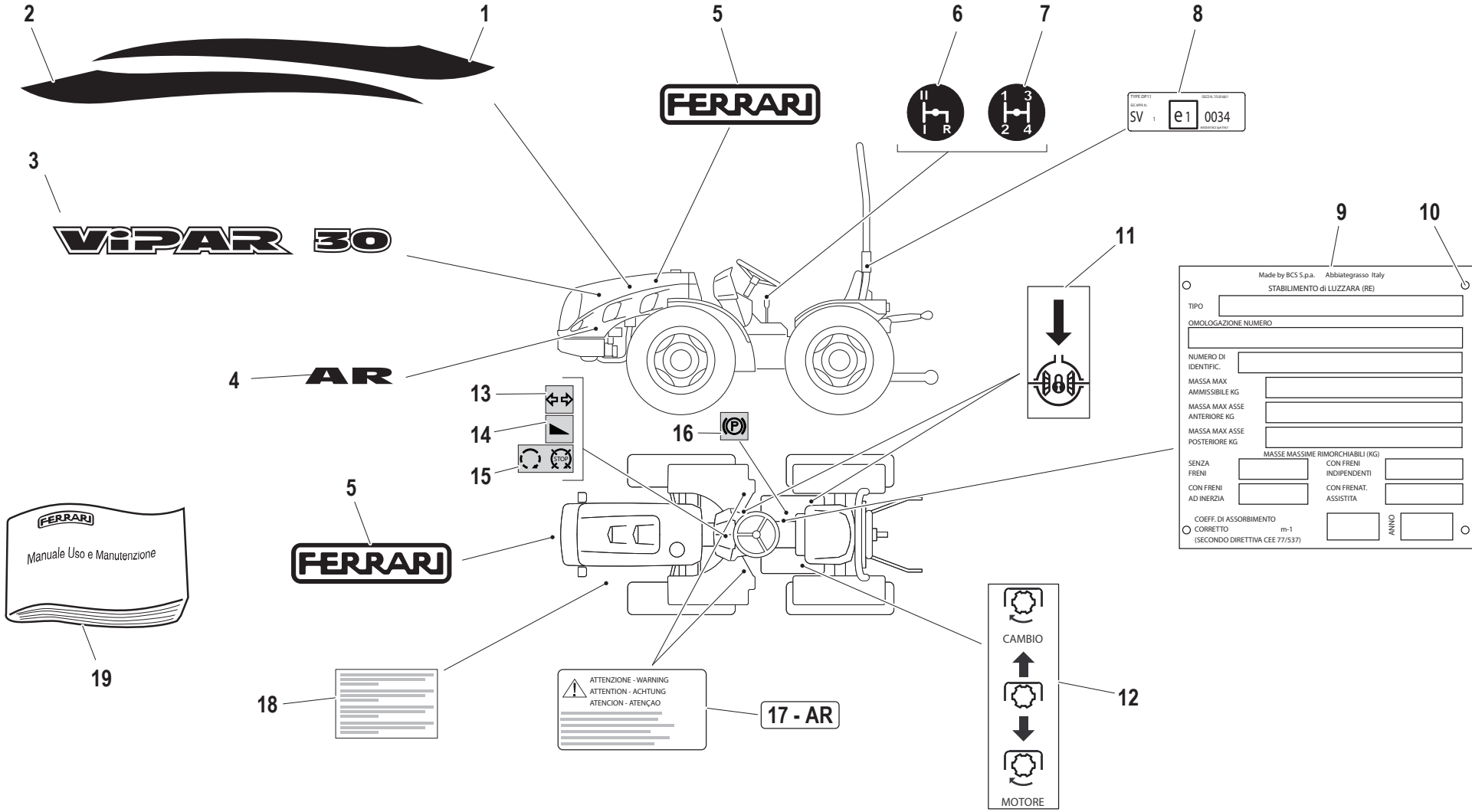


Pos.	Code	Q.ty	Description	Notes
35	58070097	2	SPRING	
36	F0864309100	2	SCREW	
37	31241140	2	SELFLOCK NUT	
38	31112272	8	SCREW TE M12X30 UNI 5739	
39	F0843843060	12	WASHER 12	
40	31112151	8	SCREW TE M8X25 UNI 5739 8G	
41	59070591	1	SUPPORT	
42	59070592	1	LEVER BEARING	
43	56172129	1	BRACKET FASTENER	
44	31112219	2	SCREW TE M10X25 UNI 5739	
45	F0814642020	2	SELFLOCK NUT M10	
46	30000514	1	REAR VIEW MIRROR	
47	58170968	1	PLUG	
48	59072114	1	SAFETY ROLL BAR	
49	31112264	4	SCREW TE M12X35 UNI 5739	
50	56171938	2	BRACKET	
51	59076413	1	CABLE BARRIER RAIL	
52	59076414	1	CABLE BARRIER RAIL	
53	59078986	2	SUPPORTING YOKE	

SERIAL  
START  
**913421**

**MUD-GUARDS AND FLOOR BOARDS**

CODE REV  
**B.02.01.L10001\_4**



Made by BCS S.p.a. - Abbiategrosso - Italy  
 STABILIMENTO di LUZZARA (RE)

TIPO

OMOLOGAZIONE NUMERO

NUMERO DI IDENTIFIC.

MASSA MAX AMMISSIBILE KG

MASSA MAX ASSE ANTERIORE KG

MASSA MAX ASSE POSTERIORE KG

MASSE MASSIME RIMORCIABILI (KG)

SENZA FRENI	<input type="text"/>	CON FRENI INDIPENDENTI	<input type="text"/>
CON FRENI AD INERZIA	<input type="text"/>	CON FRENI ASSISTITA	<input type="text"/>

COEFF. DI ASSORBIMENTO

CORRETTO m-1

(SECONDO DIRETTIVA CEE 77/537)

ANNO

**ATTENZIONE - WARNING**  
**ATTENTION - ACHTUNG**  
**ATENCIÓN - ATENÇÃO**

**17 - AR**

**FERRARI**  
 Manuale Uso e Manutenzione

**19**

**18**

**FERRARI**

**5**

**AR**

**4**

**VIPAR 30**

**3**

**FERRARI**

**5**

**2**

**1**

**6**

**7**

**8**

**11**

**9**

**10**

**12**

**CAMBIO**

**MOTORE**

Pos.	Code	Q.ty	Description	Notes
1	58073549	0	DECAL	
2	58073548	0	DECAL	
3	58073550	0	DECAL	
4	58073552	0	DECAL	
5	58073554	0	DECAL	
6	58074224	0	DECAL	
7	58074225	0	DECAL	
8	58074122	0	PLATE	
9	58072737	0	PLATE	
10	F0808518050	0	RIVET 3,5x6,5	
11	58072520	0	INSTRUCTION PLATE	
12	58072575	0	PLATE	
13	58072509	0	INSTRUCTION PLATE	
14	58072517	0	INSTRUCTION PLATE	
15	58072511	0	INSTRUCTION PLATE	
16	58072510	0	INSTRUCTION PLATE	
17	58073156	0	PLATE	
18	F0854067050	0	PLATE	
19	F0907170109	0	TECHN. MANUAL VIPAR	

SERIAL  
END

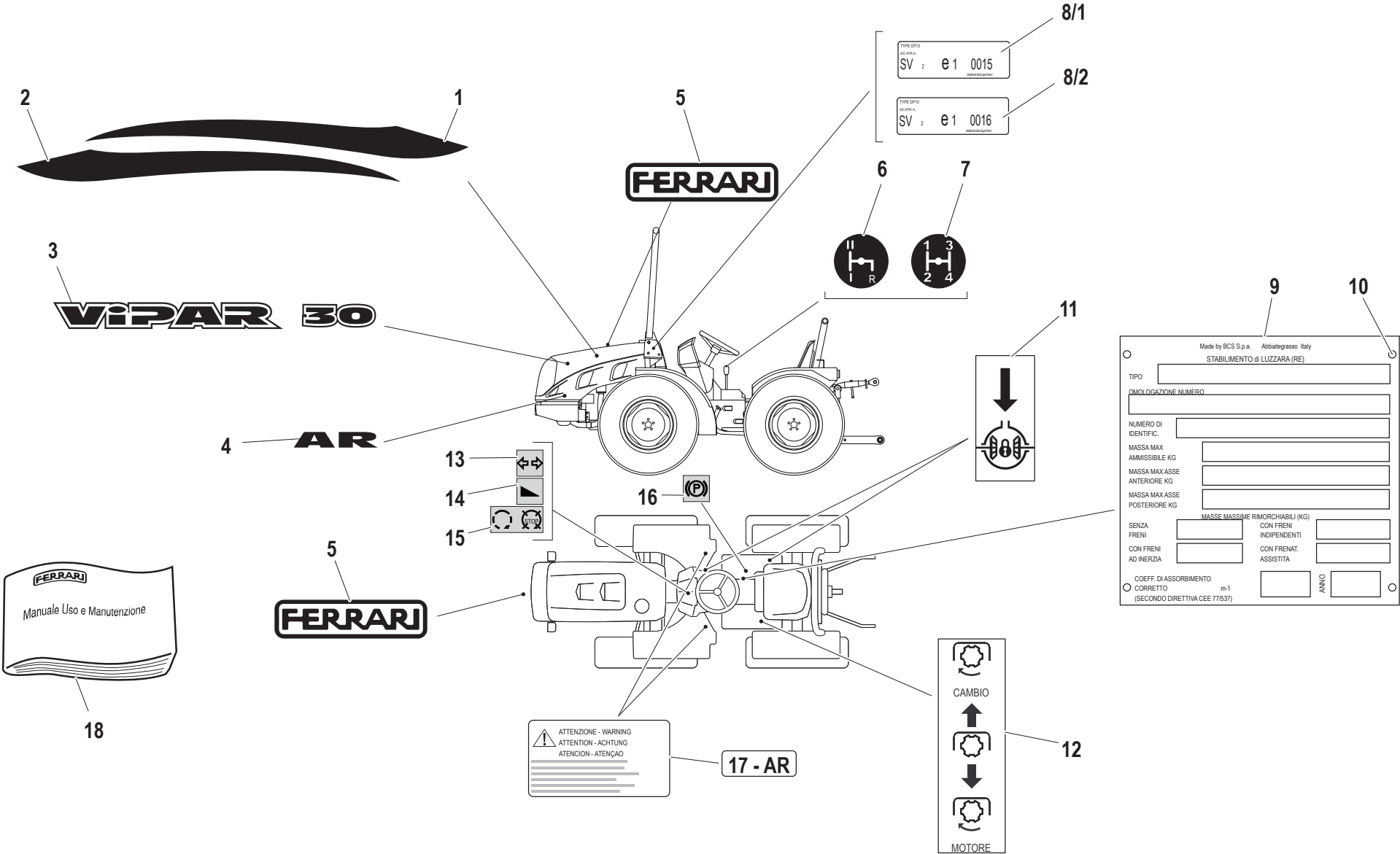
400050

PLATES

CODE REV

B.04.01.L10001\_0

PLATES



8/1  
 TYPE DPS  
 SV 2 e1 0015  
 8/2  
 TYPE DPS  
 SV 2 e1 0016

9 10

Made by BCS S.p.a. Abbiategrosso Italy  
 STABILIMENTO di LUZZARA (RE)

TIPO

OMOLOGAZIONE NUMERO

NUMERO DI IDENTIFIC.

MASSA MAX AMMISSIBILE KG

MASSA MAX ASSE ANTERIORE KG

MASSA MAX ASSE POSTERIORE KG

MASSE MASSIME RIMORCHIABILI (KG)

SENZA FRENI  
 CON FRENI AD INERZIA

CON FRENI INDIPENDENTI  
 CON FRENAT. ASSISTITA

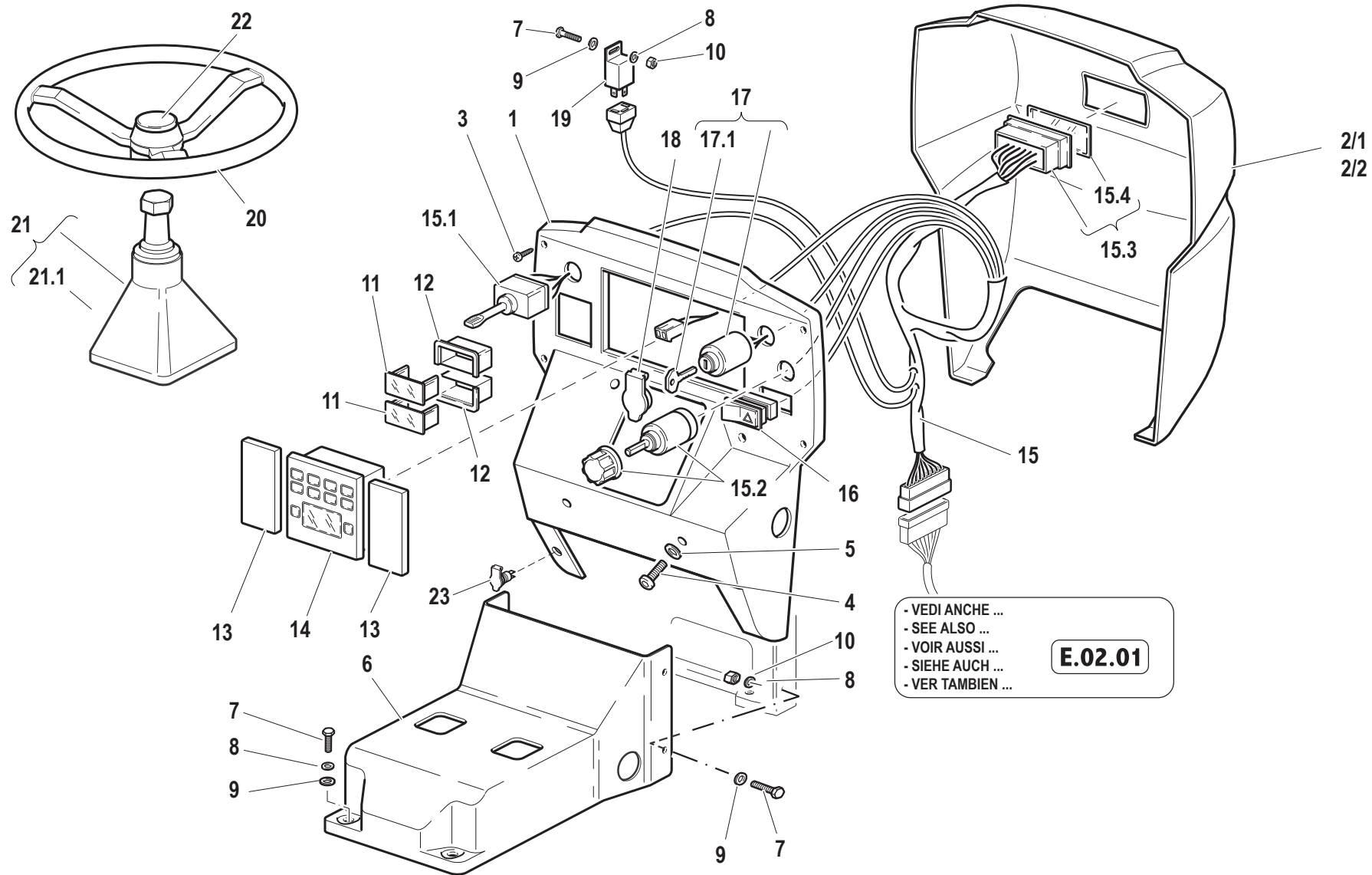
COEFF. DI ASSORBIMENTO m-1  
 CORRETTO (SECONDO DIRETTIVA CEE 77/537)

ANNO

17 - AR  
 ATTENZIONE - WARNING  
 ATTENTION - ACHTUNG  
 ATENCION - ATENCAO

12  
 CAMBIO  
 MOTORE

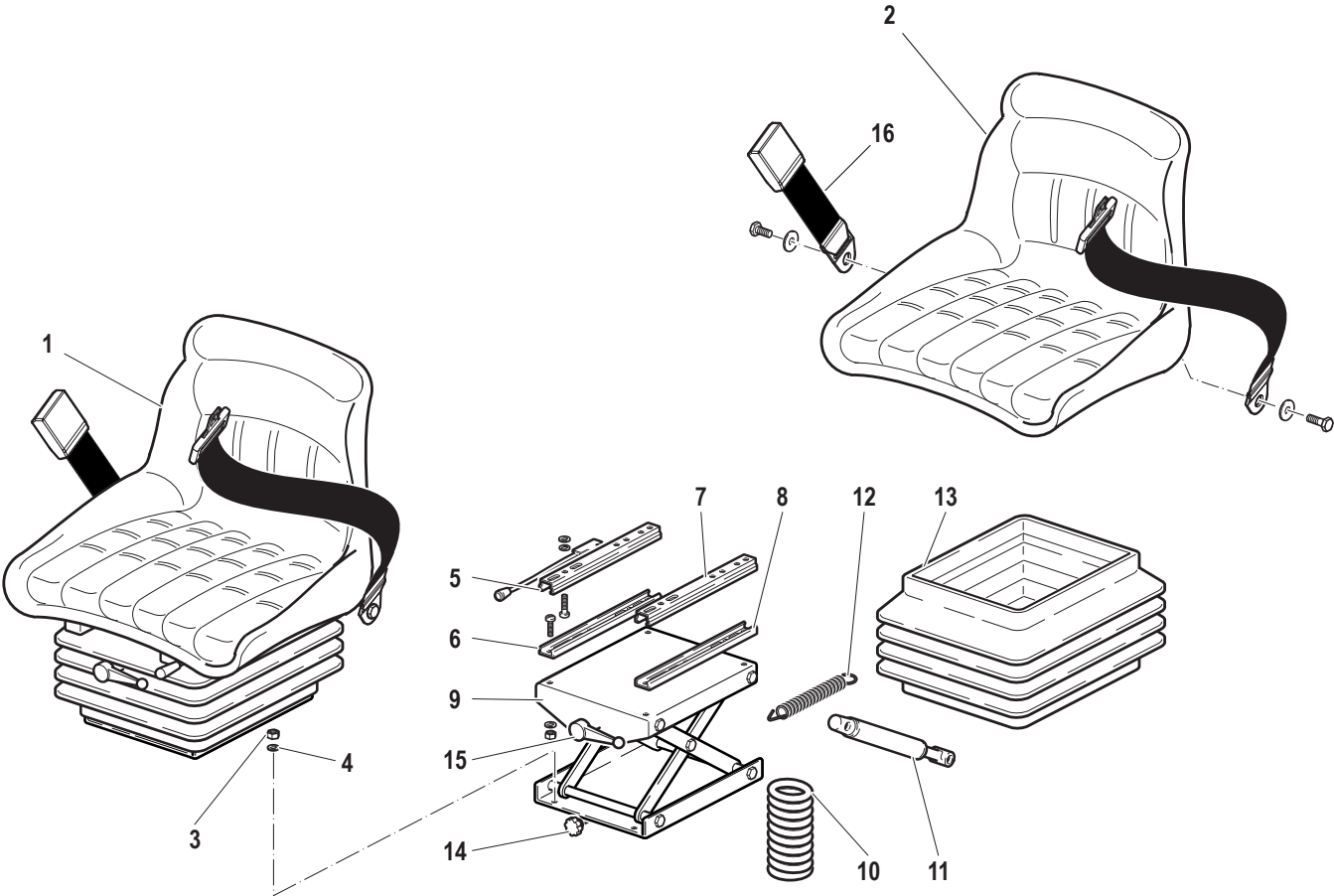
Pos.	Code	Q.ty	Description	Notes
1	58073549	1	DECAL	
2	58073548	1	DECAL	
3	58073550	2	DECAL	
4	58073552	2	DECAL	
5	58073554	3	DECAL	
6	58074224	1	DECAL	
7	58074225	1	DECAL	
8/1	58074562	1	PLATE	
8/2	58074563	1	PLATE	
9	58072737	1	PLATE	
10	F0808518050	4	RIVET 3,5x6,5	
11	58072520	2	INSTRUCTION PLATE	
12	58072575	1	PLATE	
13	58072509	1	INSTRUCTION PLATE	
14	58072517	1	INSTRUCTION PLATE	
15	58072511	1	INSTRUCTION PLATE	
16	58072510	1	INSTRUCTION PLATE	
17	58073156	2	PLATE	
18	F0907170109	1	TECHN. MANUAL VIPAR	



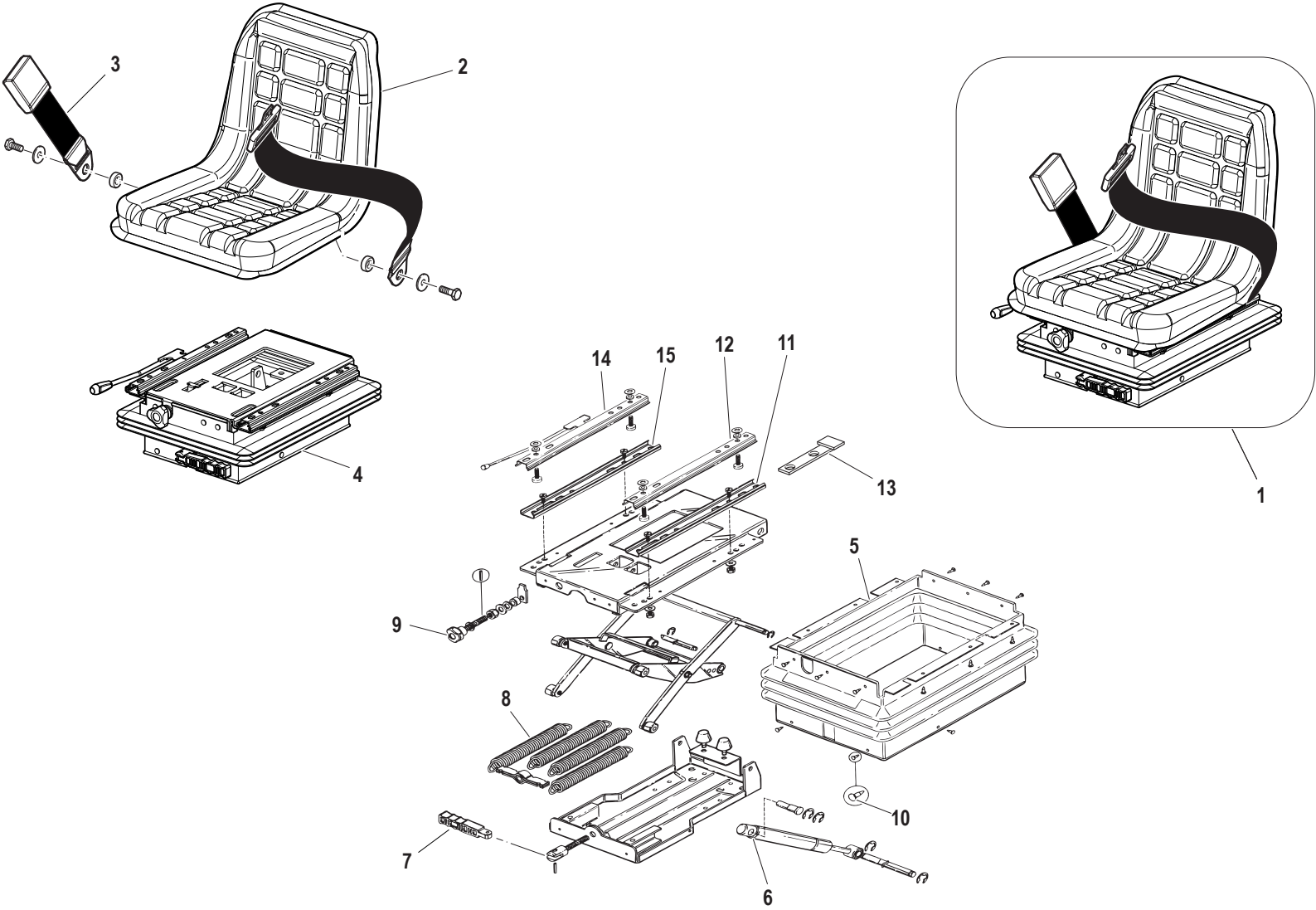


Pos.	Code	Q.ty	Description	Notes
1	55274441	1	INSTRUMENT PANEL	
2/1	55271852	1	INSTRUMENT PANEL	
2/2	55271644	1	INSTRUMENT PANEL	
3	31510053	1	RIBBED SCREW TC 4,8X32	
4	F0862479020	1	SCREW M8X16 7380	
5	31411084	1	WASHER 8,4x17	
6	57374196	1	COVER	
7	31112090	1	SCREW TE M6X16 UNI 5739 8G	
8	F0843570000	1	WASHER 6	
9	31411064	1	WASHER 6,4x12,5	
10	31211060	1	HEXAGONAL NUT M8	
11	58172043	1	FRONT GRILLE	
12	58170376	1	TERMINAL FOR SWITCH	
13	57373101	1	COVER	
14	58173108	1	GAUGE	
15	58077816	1	CABLE	
15.1	F0825436000	1	SWITCH	
15.2	F0825436003	1	SWITCH	
15.3	58170453	1	FUSE BOX	
15.4	58172267	1	COVER	
16	F0825115010	1	PUSH-BUTTON	
17	30000614	1	PANEL	
17.1	F0825500220	1	KEY	
18	F0825400060	1	COVER	
19	F0825139000	1	FLASHER	
20	58174124	1	STEERING WHEEL	
21	F0865475000	1	SMALL COLUMN	
21.1	57372600	1	COVER	
22	F0825403050	1	SOCKET	

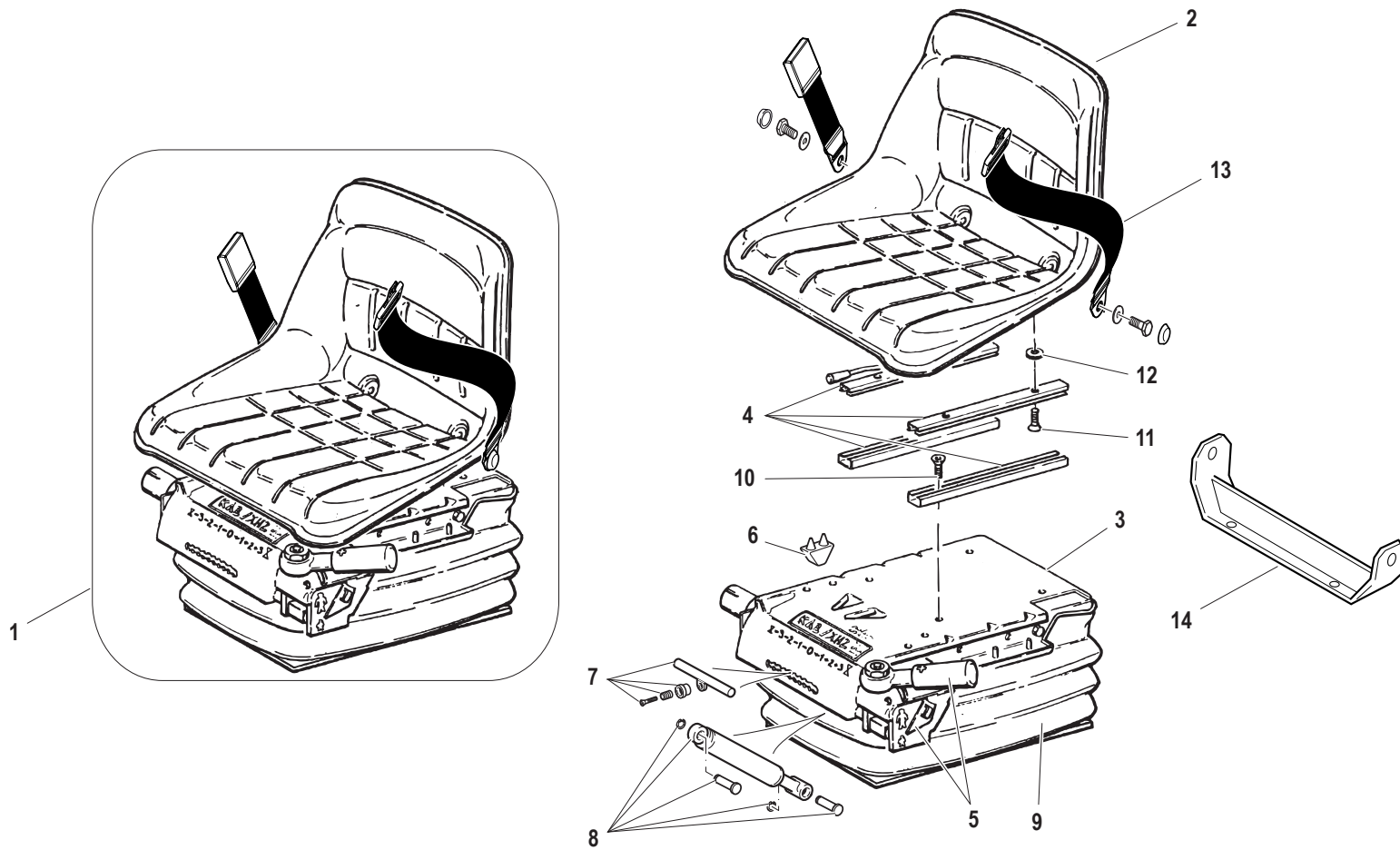
SEAT "SEAT"



Pos.	Code	Q.ty	Description	Notes
1	58177728	1	SEAT	
2	59900171	1	SEAT CAVITY	
3	F0814569000	1	NUT	
4	31411084	1	WASHER 8,4x17	
5	59900172	1	GUIDE	
6	59900173	1	GUIDE	
7	59900174	1	GUIDE	
8	59900175	1	GUIDE	
9	59900163	1	SPRING	
10	59900168	1	SPRING	
11	59900169	1	SHOCKS ABSORBER	
12	59900167	1	SPRING	
13	59900170	1	BELLOWS	
14	59900166	1	HAND WHEEL	
15	59900165	1	LEVER	
16	59901266	1	SAFETY BELT	

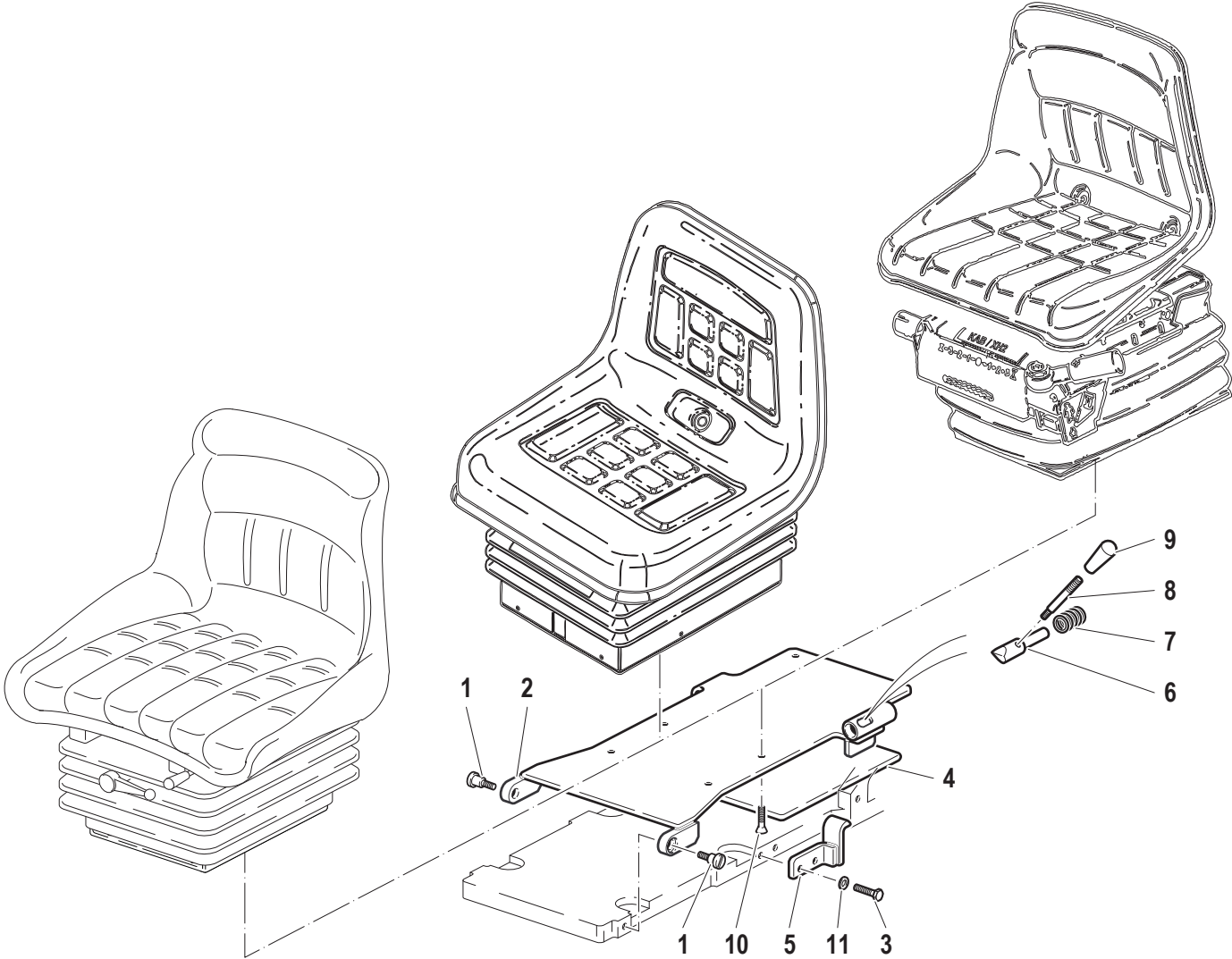


Pos.	Code	Q.ty	Description	Notes
1	58177722	1	SEAT	
2	59901050	1	SEAT	
3	58192377	1	SAFETY BELT	
4	59901049	1	SUSPENSION	
5	59900159	1	BELLOWS	
6	59900156	1	SHOCKS ABSORBER	
7	59900155	1	LEVER	
8	59900154	4	SPRING	
9	59900153	1	KNOB	
10	59900158	18	SCREW	
11	59900157	1	LOWER GUIDE	
12	59900160	1	GUIDE	
13	59071241	1	STOP PLATE	
14	59900161	1	GUIDE	
15	59900152	1	LOWER GUIDE	



Pos.	Code	Q.ty	Description	Notes
1	59900199	1	SEAT	
2	F0150036216	1	SEAT CAVITY	
3	F0150036219	1	SPRING	
4	58173437	1	SEAT GUIDE	
5	59900183	1	CONTROL	
6	59900184	1	LIMITER	
7	59900185	1	CONTROL	
8	59900186	1	SHOCKS ABSORBER	
9	59900187	1	BELLOWS	
10	31111151	5	SCREW TE M8X16 UNI 5739 8G	
11	F0862495010	4	SCREW	
12	F0843696000	6	WASHER	
13	58192377	1	SAFETY BELT	
14	56178591	1	BRACKET	

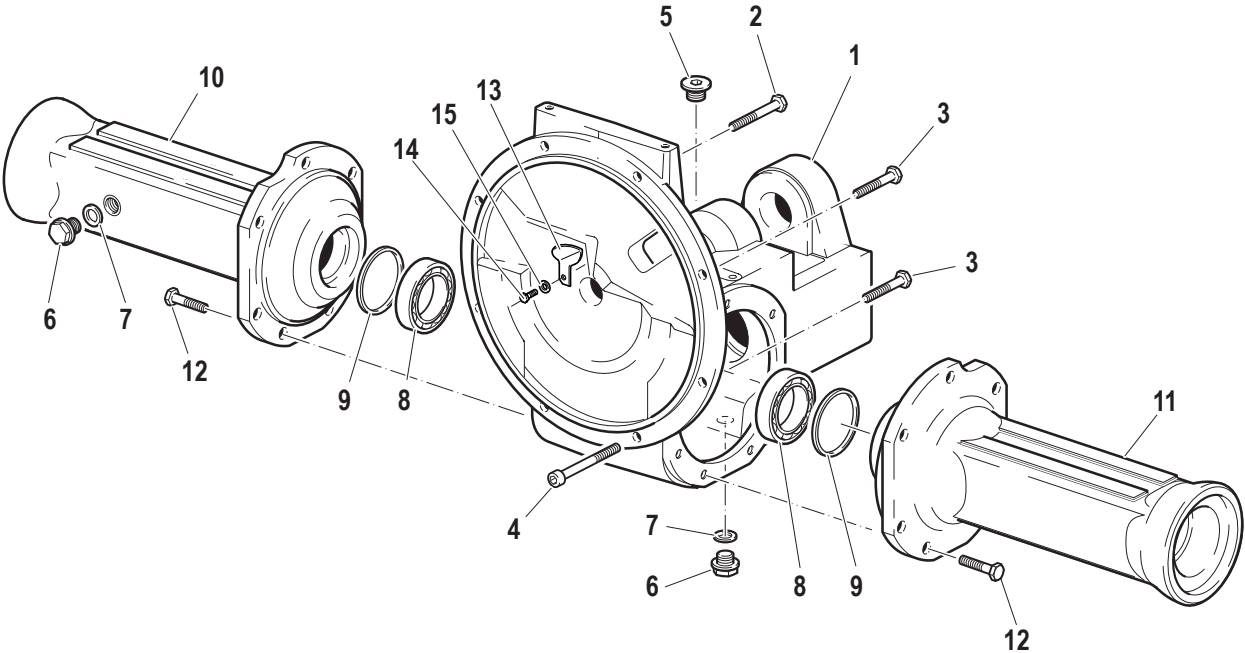
SEAT CONNECTION





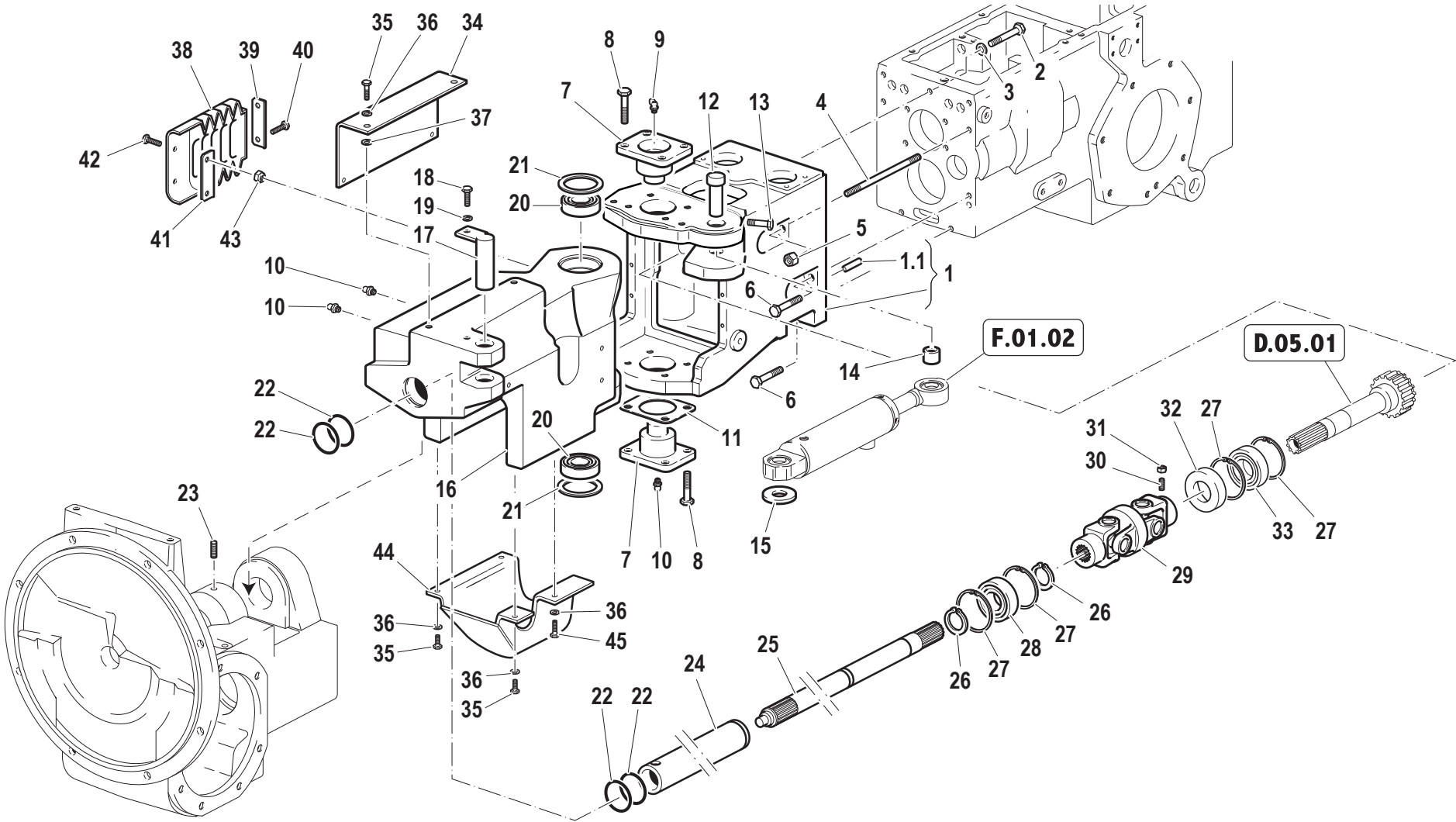
Pos.	Code	Q.ty	Description	Notes
1	F0010001078	1	PIN	
2	59071743	1	PLATE	
3	31112090	1	SCREW TE M6X16 UNI 5739 8G	
4	57370321	1	RUBBER	
5	59071745	1	BRACKET	
6	56371222	1	LOCKING BOLT	
7	58070390	0	SEAT SPRINGS	
8	56171237	1	HINGE PIN	
9	F0837521000	1	GRIP	
10	F0862481000	1	SCREW M8x16 UNI 5933	
11	F0843570000	1	WASHER 6	

FRONT AXLE



Pos.	Code	Q.ty	Description	Notes
1	51172967	0	FRONT AXLE HOUSING	
2	31112214	0	SCREW	
3	31112211	0	SCREW TE M10X30 UNI 5739	
4	31152101	0	SCREW TCEI M10X45 UNI 5931 8G	
5	58071790	0	PLUG	
6	56370081	0	PLUG	
7	F0844273090	0	GASKET 22X28X1,5 CU 99,5	
8	F0812895000	0	BEARING 32008 (40X68X19)	
9	56371582	0	RING	
9	56371583	0	RING	
9	56371584	0	RING	
9	56371585	0	RING	
9	56371586	0	RING	
10	51273378	0	FRONT AXLE HOUSING	
11	51273377	0	FRONT AXLE HOUSING	
12	31112264	0	SCREW TE M12X35 UNI 5739	
13	56179398	1	COVER	
14	31111090	1	SCREW	
15	F0843570000	1	WASHER 6	

# INTERMEDIATE SECTION



Pos.	Code	Q.ty	Description	Notes
1	59275173	0	BOX	
1.1	56370228	0	CYLINDRICAL PLUG	
2	F0863359000	0	SCREW M10X40 UNI 5737	
3	F0843755000	0	WASHER 10	
4	F0838530150	0	STUD BOLT M10X115 UNI 5911 8.8	
5	F0814647000	0	NUT M10	
6	31112211	0	SCREW TE M10X30 UNI 5739	
7	52372863	0	PIN	
8	F0863267050	0	SCREW M10x25	
9	F0826062000	0	LUBRICATOR 45° M10X1 UNI 7663	
10	F0826056000	0	LUBRICATOR M10 UNI 7663A	
11	52172158	0	SHIM	
11	52172159	0	SHIM	
11	52172160	0	SHIM	
11	52172161	0	SHIM	
11	52172162	0	SHIM	
12	56373542	0	HINGE PIN	
13	56370178	0	SCREW	
14	56170226	0	SPACER	
15	56173884	0	SPACER	
16	51174042	0	BOX	
17	59071171	0	HINGE PIN	
18	31111151	0	SCREW TE M8X16 UNI 5739 8G	
19	F0843643060	0	WASHER 8	
20	F0812747000	0	BEARING 32006X (30x55x17)	
21	58170077	0	GASKET	
22	38104412	0	O-RING	
23	58170013	0	SCREW	
24	56471645	0	PIN	
25	52473449	0	FRONT CLUTCH SHAFT	
26	35121025	0	SEEGER RING	
27	35111052	0	SEEGER RING	
28	37112249	0	BEARING	
29	58170803	0	CARDAN JOINT	

SERIAL  
END

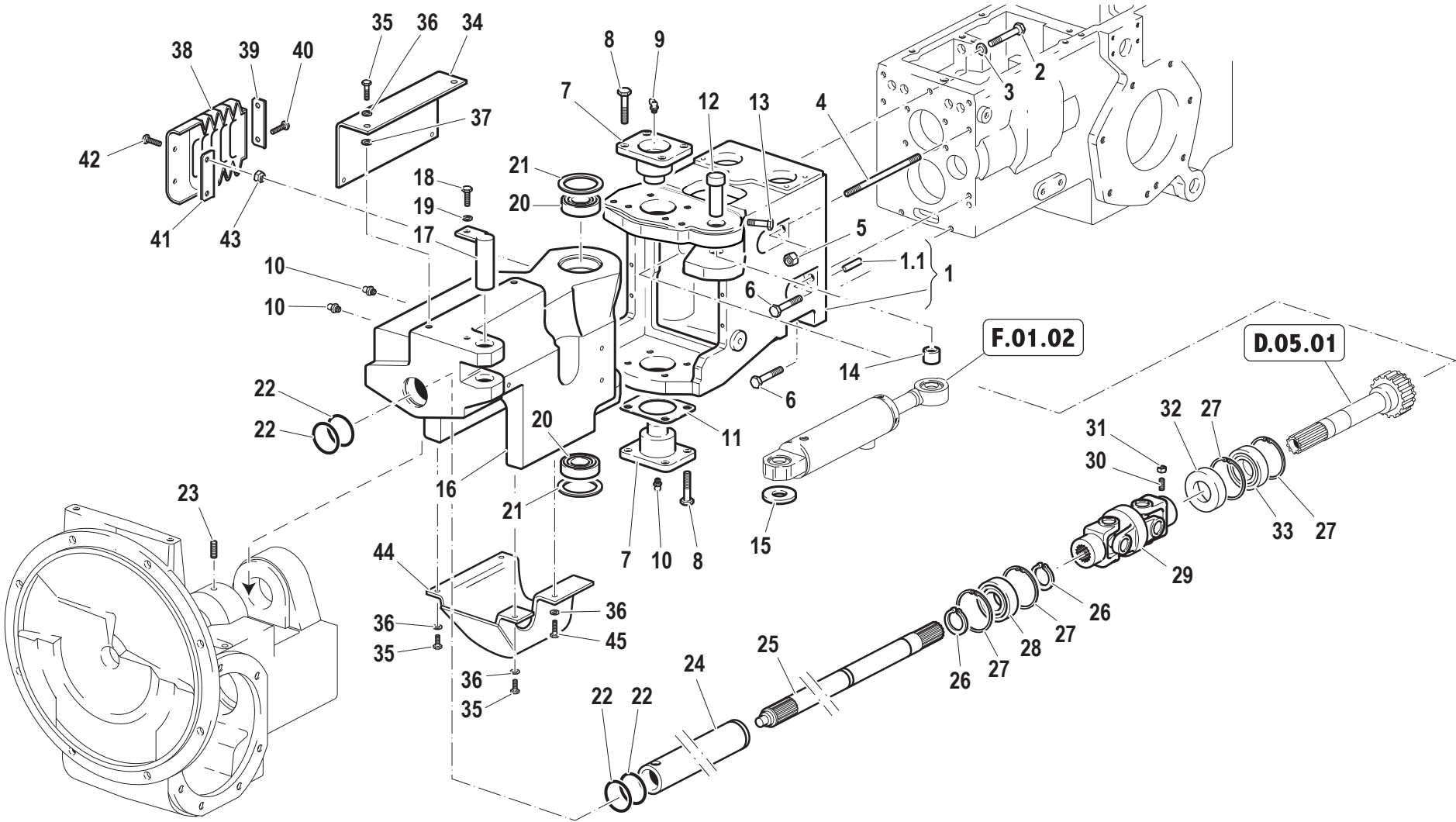
915719

INTERMEDIATE SECTION

CODE REV

C.02.01.L10001\_0

# INTERMEDIATE SECTION



Pos.	Code	Q.ty	Description	Notes
30	F0862593050	0	SCREW M8X20 UNI 5927	
31	F0814574000	0	NUT	
32	F0802100050	0	SEAL 25x52/7	
33	37111255	0	BEARING	
34	59073500	0	SHIELD	
35	31112082	0	SCREW TE M6X12 UNI 5739 8G	
36	F0843570000	0	WASHER 6	
37	F0843578010	0	WASHER 6,4x11/1,6	
38	55172608	0	BELLOWS	
39	56173447	0	FIXING BRACKET	
40	31132562	0	SCREW TSVEI M6X16 UNI 5933	
41	56172163	0	FIXING BRACKET	
42	F0862210000	0	SCREW	
43	F0814547000	0	SELFLOCK NUT M6	
44	56173497	0	SHIELD	
45	31112090	0	SCREW TE M6X16 UNI 5739 8G	

SERIAL  
END

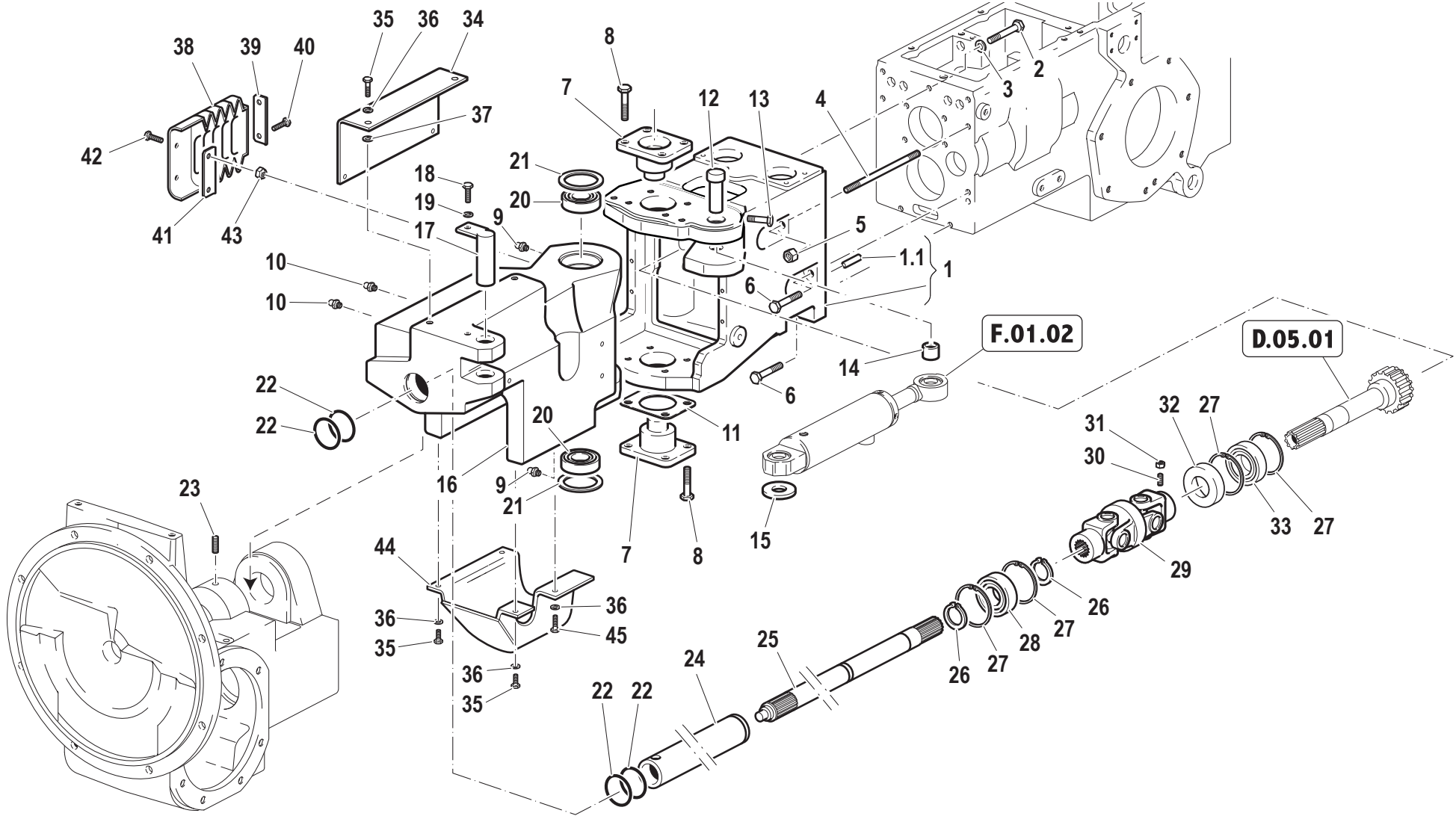
915719

INTERMEDIATE SECTION

CODE REV

C.02.01.L10001\_0

INTERMEDIATE SECTION





Pos.	Code	Q.ty	Description	Notes
1	59275173	1	BOX	
1.1	56370228	2	CYLINDRICAL PLUG	
2	F0863359000	1	SCREW M10X40 UNI 5737	
3	F0843755000	1	WASHER 10	
4	F0838530150	2	STUD BOLT M10X115 UNI 5911 8.8	
5	F0814647000	2	NUT M10	
6	31112211	4	SCREW TE M10X30 UNI 5739	
7	52379809	2	JOINT PIN	
8	F0863267050	8	SCREW M10x25	
9	30000007	2	LUBRICATOR	
10	F0826056000	2	LUBRICATOR M10 UNI 7663A	
11	52172158	1	SHIM	
11	52172159	1	SHIM	
11	52172160	1	SHIM	
11	52172161	1	SHIM	
11	52172162	1	SHIM	
12	56373542	1	HINGE PIN	
13	56370178	1	SCREW	
14	56170226	1	SPACER	
15	56173884	2	SPACER	
16	51179815	1	BOX	
17	59071171	1	HINGE PIN	
18	31111151	1	SCREW TE M8X16 UNI 5739 8G	
19	F0843643060	1	WASHER 8	
20	F0812747000	2	BEARING 32006X (30x55x17)	
21	58170077	2	GASKET	
22	38104412	4	O-RING	
23	58170013	1	SCREW	
24	56471645	1	PIN	
25	52473449	1	FRONT CLUTCH SHAFT	
26	35121025	2	SEEGER RING	
27	35111052	4	SEEGER RING	
28	37112249	1	BEARING	
29	58170803	1	CARDAN JOINT	

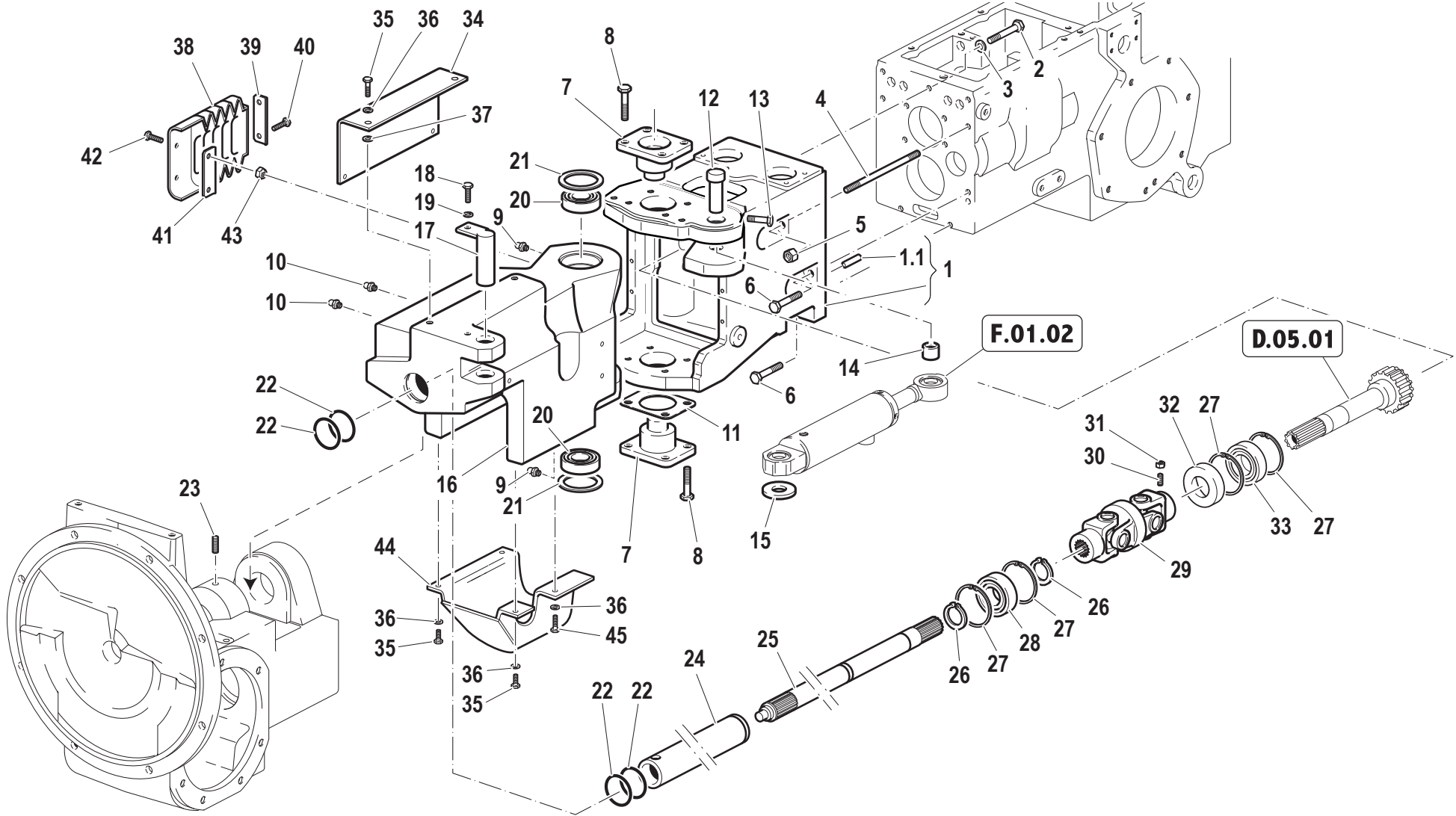
SERIAL  
START  
**915720**

**INTERMEDIATE SECTION**

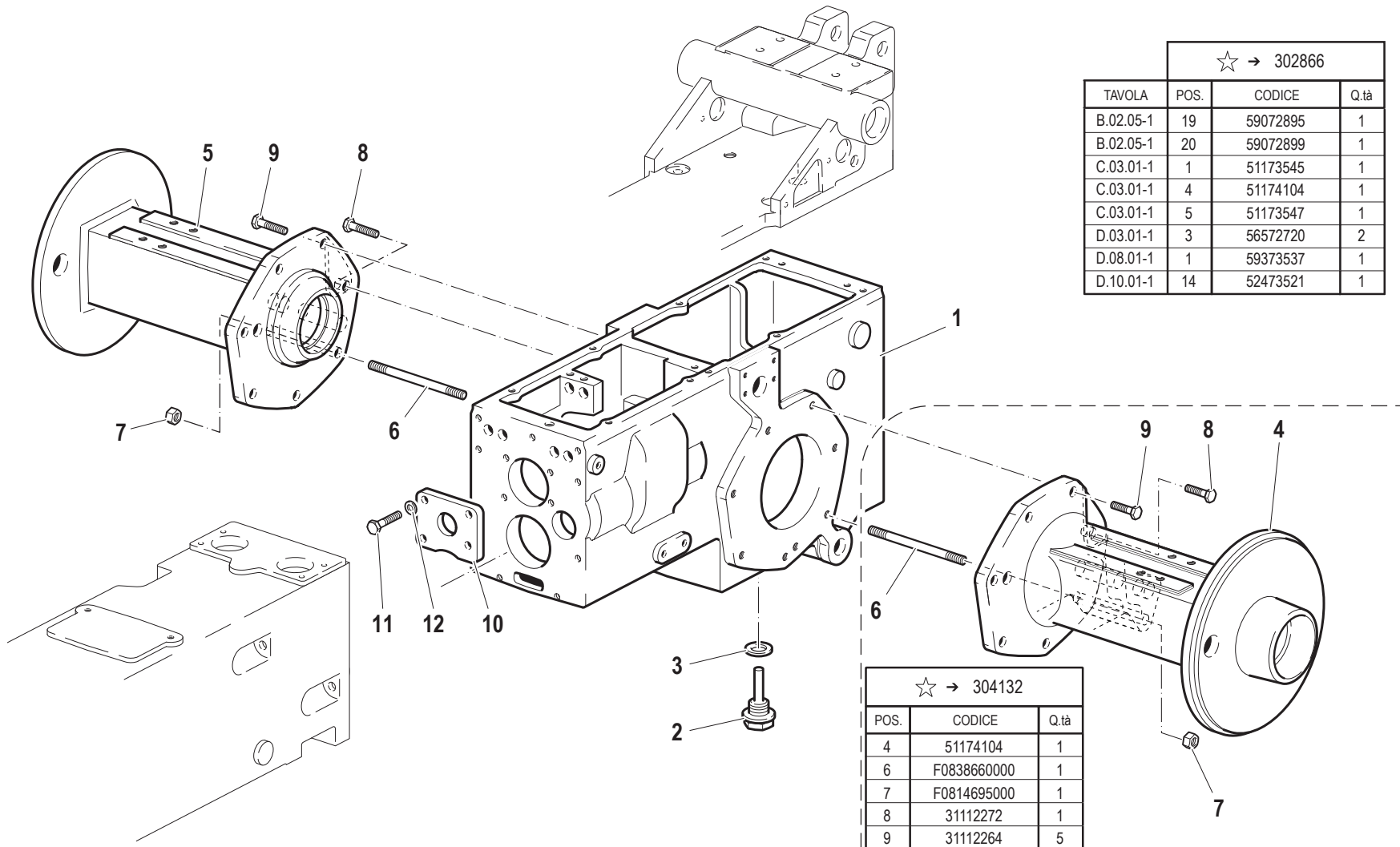
CODE REV

**C.02.01.L10001\_1**

INTERMEDIATE SECTION



Pos.	Code	Q.ty	Description	Notes
30	F0862593050	1	SCREW M8X20 UNI 5927	
31	F0814574000	1	NUT	
32	F0802100050	1	SEAL 25x52/7	
33	37111255	1	BEARING	
34	59073500	1	SHIELD	
35	31112082	7	SCREW TE M6X12 UNI 5739 8G	
36	F0843570000	8	WASHER 6	
37	F0843578010	1	WASHER 6,4x11/1,6	
38	55172608	2	BELLOWS	
39	56173447	2	FIXING BRACKET	
40	31132562	4	SCREW TSVEI M6X16 UNI 5933	
41	56172163	2	FIXING BRACKET	
42	F0862210000	4	SCREW	
43	F0814547000	4	SELFLOCK NUT M6	
44	56173497	1	SHIELD	
45	31112090	1	SCREW TE M6X16 UNI 5739 8G	



☆ → 302866

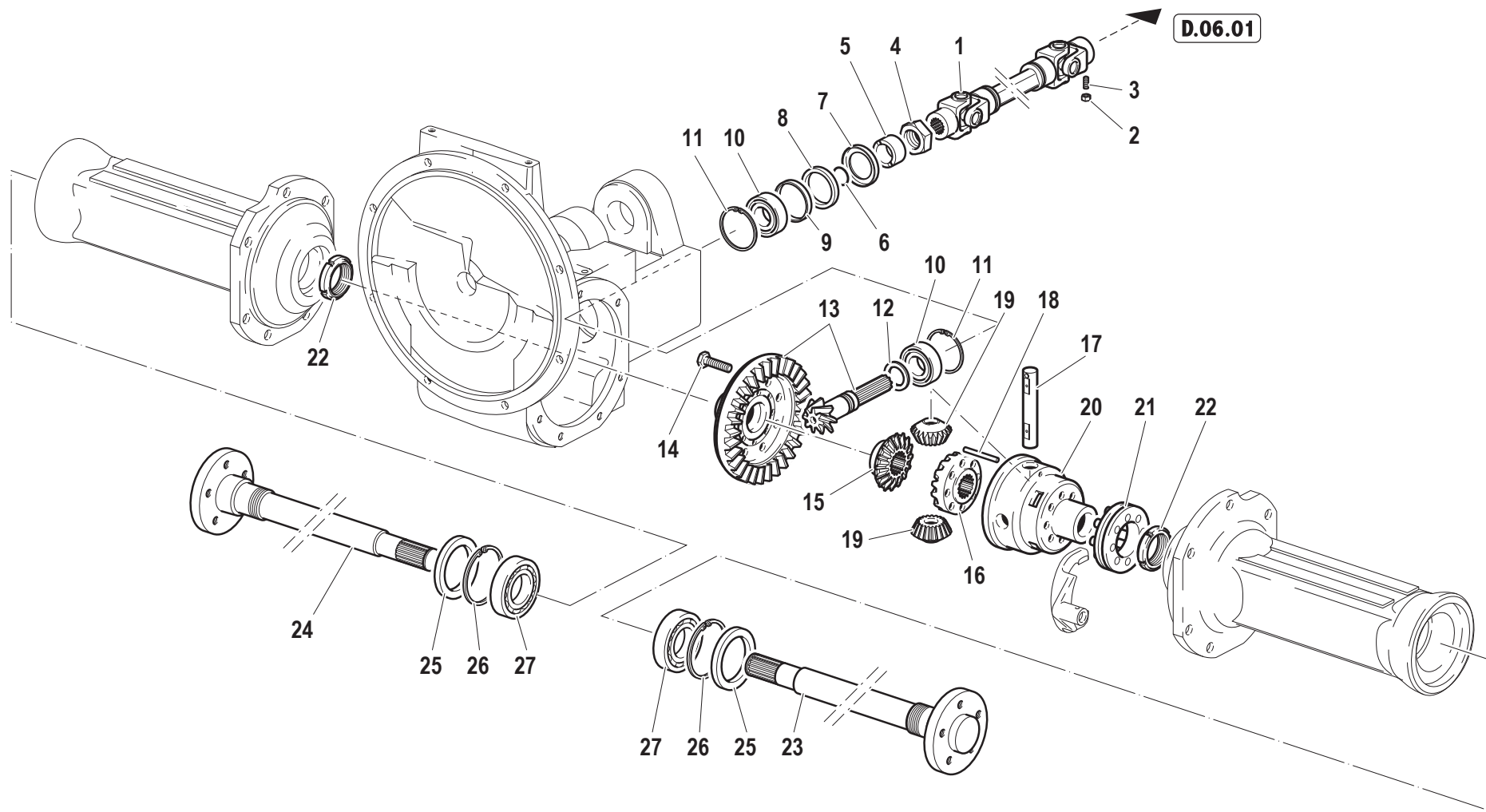
TAVOLA	POS.	CODICE	Q.tà
B.02.05-1	19	59072895	1
B.02.05-1	20	59072899	1
C.03.01-1	1	51173545	1
C.03.01-1	4	51174104	1
C.03.01-1	5	51173547	1
D.03.01-1	3	56572720	2
D.08.01-1	1	59373537	1
D.10.01-1	14	52473521	1

☆ → 304132

POS.	CODICE	Q.tà
4	51174104	1
6	F0838660000	1
7	F0814695000	1
8	31112272	1
9	31112264	5

Pos.	Code	Q.ty	Description	Notes
1	51173545	1	GEAR BOX	
2	58170021	0	PLUG	
3	F0844273090	1	GASKET 22X28X1,5 CU 99,5	
4	51174104	1	REAR AXLE HOUSING	
5	51173547	1	REAR AXLE HOUSING	
6	F0838660000	1	STUD BOLT M12X105 UNI 5911-66	
7	F0814695000	1	NUT	
8	31112272	1	SCREW TE M12X30 UNI 5739	
9	31112264	1	SCREW TE M12X35 UNI 5739	
10	56172685	1	FRONT COVER	
11	31112219	1	SCREW TE M10X25 UNI 5739	
12	F0843755000	1	WASHER 10	

FRONT TRASMISSION



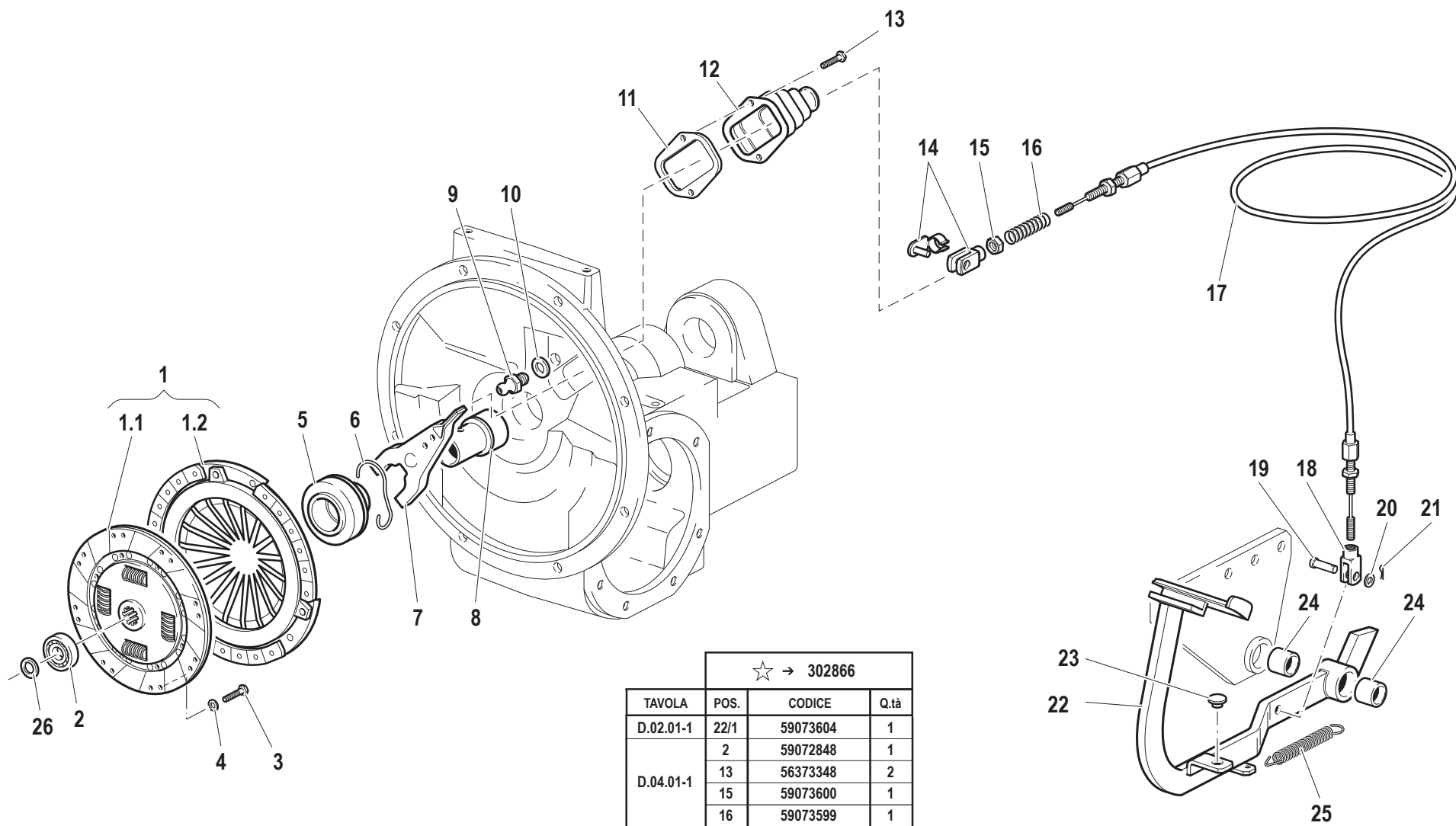
Pos.	Code	Q.ty	Description	Notes
1	58179168	1	CONSTANT VEL. JOINT	
2	F0814574000	0	NUT	
3	F0862657000	0	GRAIN	
4	56371666	0	RING NUT	
5	56471665	0	SPACER	
6	38112670	0	O-RING	
7	56171671	0	PROTECTIVE RING	
8	F0802190010	0	SEAL	
9	56171672	0	SPACER	
10	37221300	0	CYL. ROLLER BEARING	
11	35111063	0	SEEGER RING	
12	56371667	0	SHIM	
12	56371668	0	SHIM	
12	56371669	0	SHIM	
12	56371670	0	SHIM	
13	59372713	0	BEVEL GEAR	
14	F0863267050	0	SCREW M10x25	
15	52471513	0	CROWN WHEEL	
16	52471516	0	CROWN WHEEL	
17	56471508	0	PIN	
18	56371994	0	PIN	
19	52471509	0	PLANETARY GEAR	
20	51374866	0	HOUSING	
21	59071518	0	SLEEVE	
22	F0821057000	0	SELFLOCK.RING NUT M40x1,5/D=5	
23	52477270	1	AXLE SHAFT	
24	52477271	1	AXLE SHAFT	
25	F0802239052	0	SEAL 50X80X8	
26	35111080	0	SEEGER RING	
27	37111404	0	BEARING	

SERIAL

**FRONT TRASMISSION**

CODE REV

**D.01.01.L10001\_0**



☆ → 302866

TAVOLA	POS.	CODICE	Q.tà
D.02.01-1	22/1	59073604	1
	2	59072848	1
D.04.01-1	13	56373348	2
	15	59073600	1
	16	59073599	1



Pos.	Code	Q.ty	Description	Notes
1	58172957	1	CLUTCH ASSY	
1.1	58172958	1	CLUTCH DISC	
1.2	59900226	1	CLUTCH THRUST PLATE	
2	F0812523050	1	BEARING 6201-2RS	
3	31111091	1	SCREW E M6X14 UNI 5739 8G	
4	F0843570000	1	WASHER 6	
5	F0819134030	1	SLEEVE	
6	F0819134050	1	RETAINING SPRING	
7	58072688	1	FORK	
8	56172643	1	SLEEVE	
9	F0819134040	1	PIN	
10	F0843755000	1	WASHER 10	
11	56074020	1	CLAMPING PLATE	
12	55174021	1	BOOT	
13	31112090	1	SCREW TE M6X16 UNI 5739 8G	
14	F0860058000	1	COMPLETE FORK	
15	F0814627000	1	NUT M10	
16	F0831193010	1	SPRING DM.15X70	
17	58176970	1	CABLE	
18	50974039	1	FORK	
19	56470365	1	PIN	
20	31411105	1	WASHER 10,5x21	
21	F0810510000	1	SPLIT PIN A2,0X20 UNI 1336	
22	59073514	1	CLUTCH PEDAL	
23	F0822537050	1	BUFFER	
24	58171596	1	BUSHING	
25	F0831139000	1	SPRING	
26	56179424	1	THRUST PLATE	

SERIAL  
END

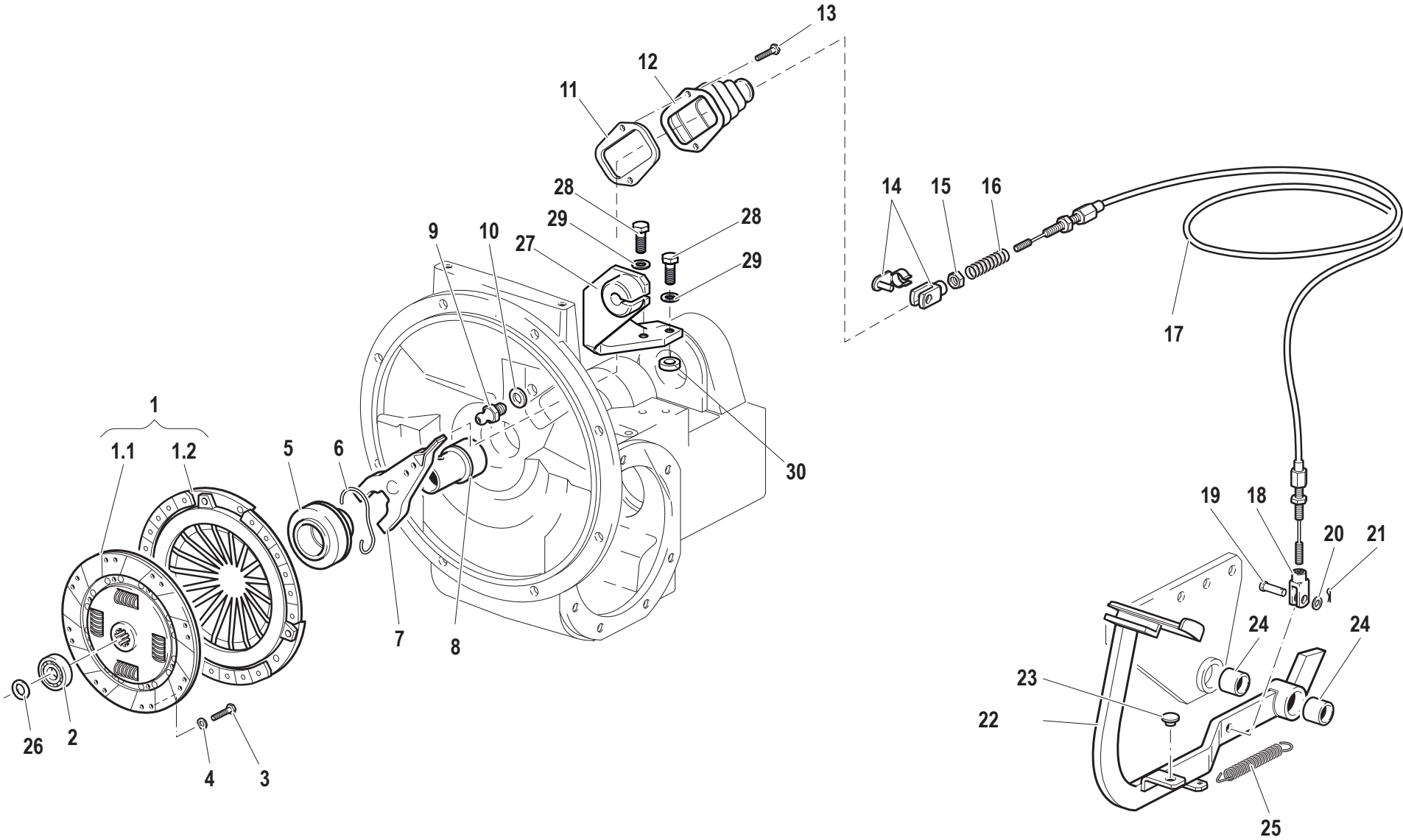
915486

CLUTCH

CODE REV

D.02.01.L10001\_0

CLUTCH



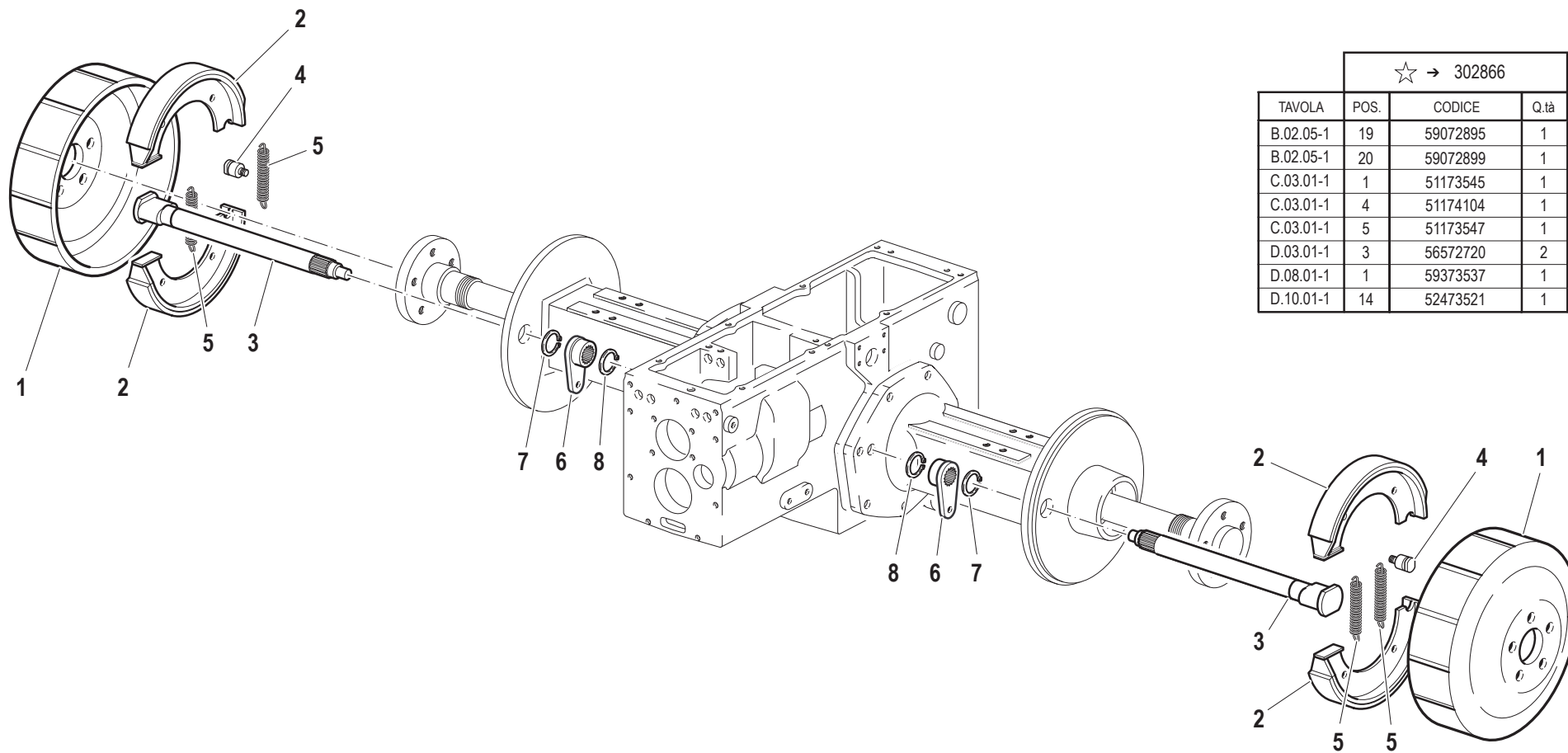
Pos.	Code	Q.ty	Description	Notes
1	58172957	1	CLUTCH ASSY	
1.1	58172958	1	CLUTCH DISC	
1.2	59900226	1	CLUTCH THRUST PLATE	
2	F0812523050	1	BEARING 6201-2RS	
3	31111091	1	SCREW E M6X14 UNI 5739 8G	
4	F0843570000	1	WASHER 6	
5	F0819134030	1	SLEEVE	
6	F0819134050	1	RETAINING SPRING	
7	58072688	1	FORK	
8	56172643	1	SLEEVE	
9	F0819134040	1	PIN	
10	F0843755000	1	WASHER 10	
11	56074020	1	CLAMPING PLATE	
12	55174021	1	BOOT	
13	31112090	1	SCREW TE M6X16 UNI 5739 8G	
14	F0860058000	1	COMPLETE FORK	
15	F0814627000	1	NUT M10	
16	F0831193010	1	SPRING DM.15X70	
17	58176970	1	CABLE	
18	50974039	1	FORK	
19	56470365	1	PIN	
20	31411105	1	WASHER 10,5x21	
21	F0810510000	1	SPLIT PIN A2,0X20 UNI 1336	
22	59073514	1	CLUTCH PEDAL	
23	F0822537050	1	BUFFER	
24	58171596	1	BUSHING	
25	F0831139000	1	SPRING	
26	56179424	1	THRUST PLATE	
27	59079661	1	FIXING BRACKET	
28	31112151	2	SCREW TE M8X25 UNI 5739 8G	
29	F0843643060	2	WASHER 8	
30	F0843696000	2	WASHER	

SERIAL  
START  
**915487**

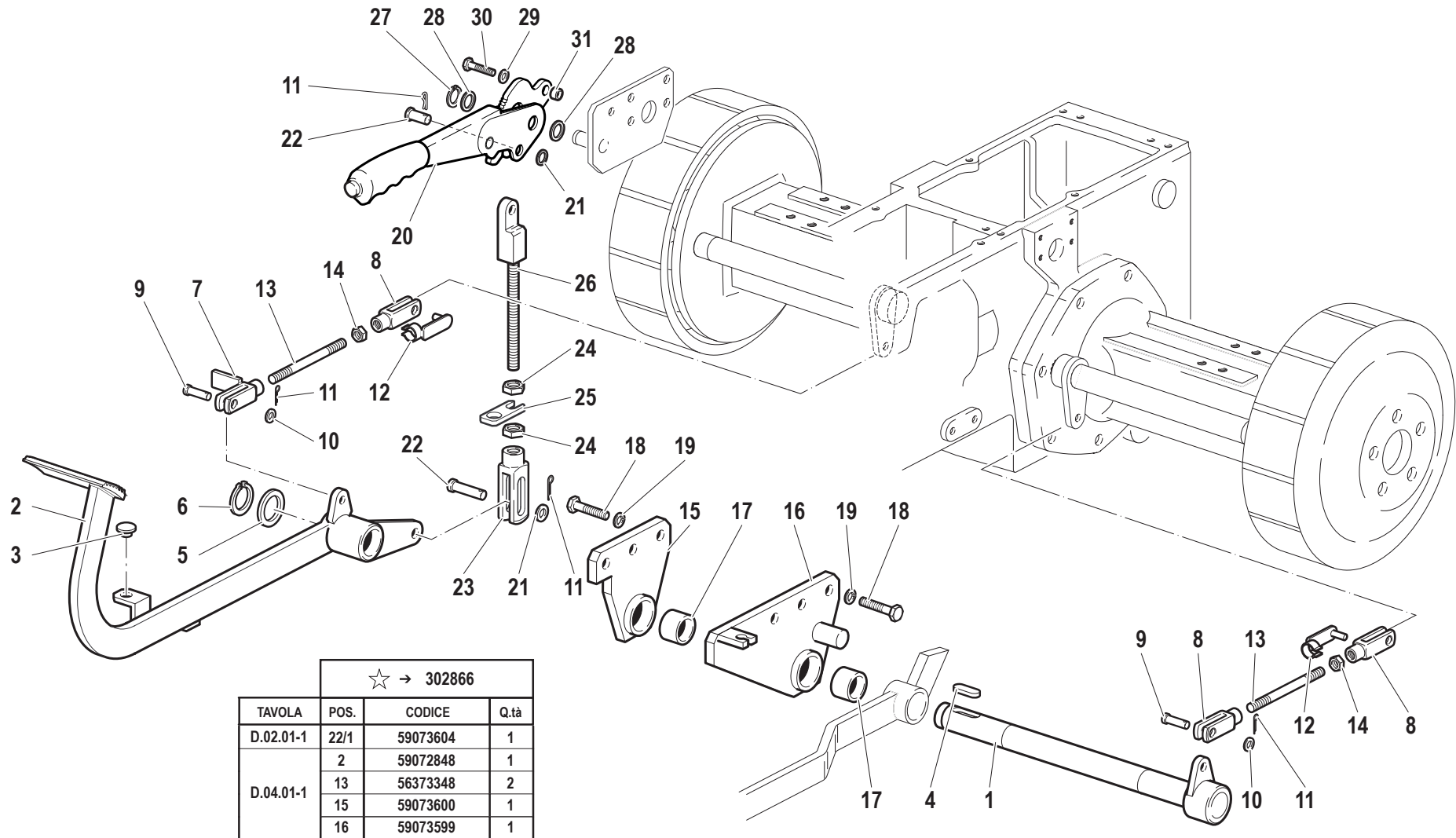
**CLUTCH**

CODE REV

**D.02.01.L10001\_1**



Pos.	Code	Q.ty	Description	Notes
1	51172716	0	BRAKE DRUM	
2	58172717	0	BRAKE BLOCK	
3	56572720	0	SHAFT	
4	56172719	0	PIN	
5	58172718	0	SPRING	
6	52373346	0	LEVER	
7	35121028	0	SEEGER RING	
8	F0801190000	0	SEEGER RING	

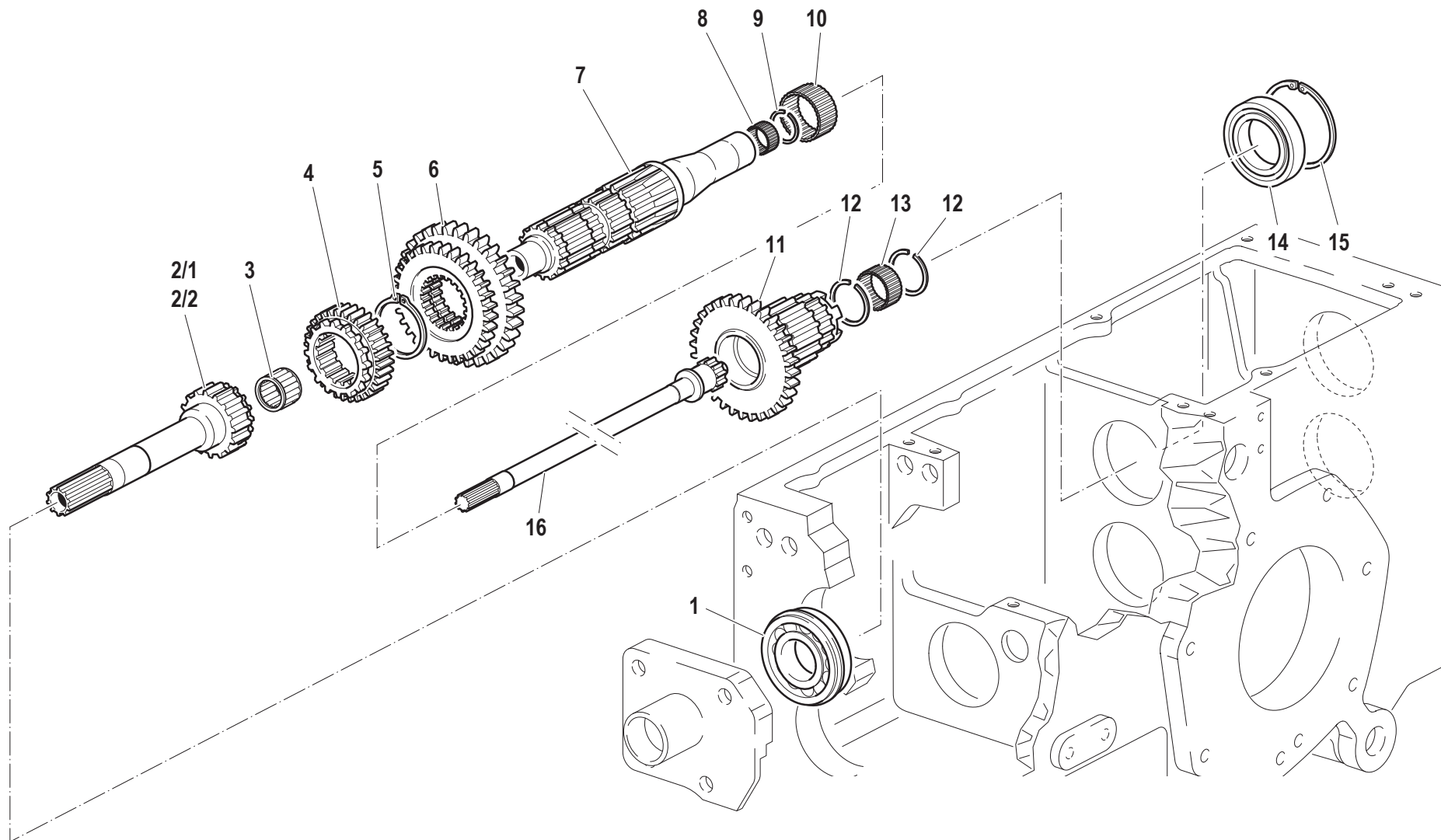


☆ → 302866

TAVOLA	POS.	CODICE	Q.tà
D.02.01-1	22/1	59073604	1
	2	59072848	1
D.04.01-1	13	56373348	2
	15	59073600	1
	16	59073599	1

Pos.	Code	Q.ty	Description	Notes
1	59072859	1	SHAFT	
2	59072848	1	BRAKE PEDAL	
3	F0822537050	1	BUFFER	
4	F0806533000	1	KEY	
5	56349629	1	RING	
6	F0801185010	1	SEEGER RING	
7	59072904	1	FORK	
8	F0860060010	1	FORK	
9	F0835523000	1	PIN	
10	31411084	1	WASHER 8,4x17	
11	F0810510000	1	SPLIT PIN A2,0X20 UNI 1336	
12	F0860060020	1	PIN	
13	56373348	1	ROD	
14	F0814569000	1	NUT	
15	59073600	1	SUPPORT	
16	59073599	1	SUPPORT	
17	58171596	1	BUSHING	
18	F0863217060	1	SCREW M10X22 UNI 5739	
19	F0843755000	1	WASHER 10	
20	58178960	1	HANDBRAKE LEVER	
21	31411105	1	WASHER 10,5x21	
22	56470365	1	PIN	
23	50972173	1	FORK	
24	F0814627000	1	NUT M10	
25	56073094	1	SMALL PLATE	
26	59073093	1	HANDBRAKE TIE-ROD	
27	F0801095000	1	SEEGER RING	
28	31411150	1	WASHER 15x28	
29	F0843643060	1	WASHER 8	
30	31112151	1	SCREW TE M8X25 UNI 5739 8G	
31	56171936	1	SPACER	

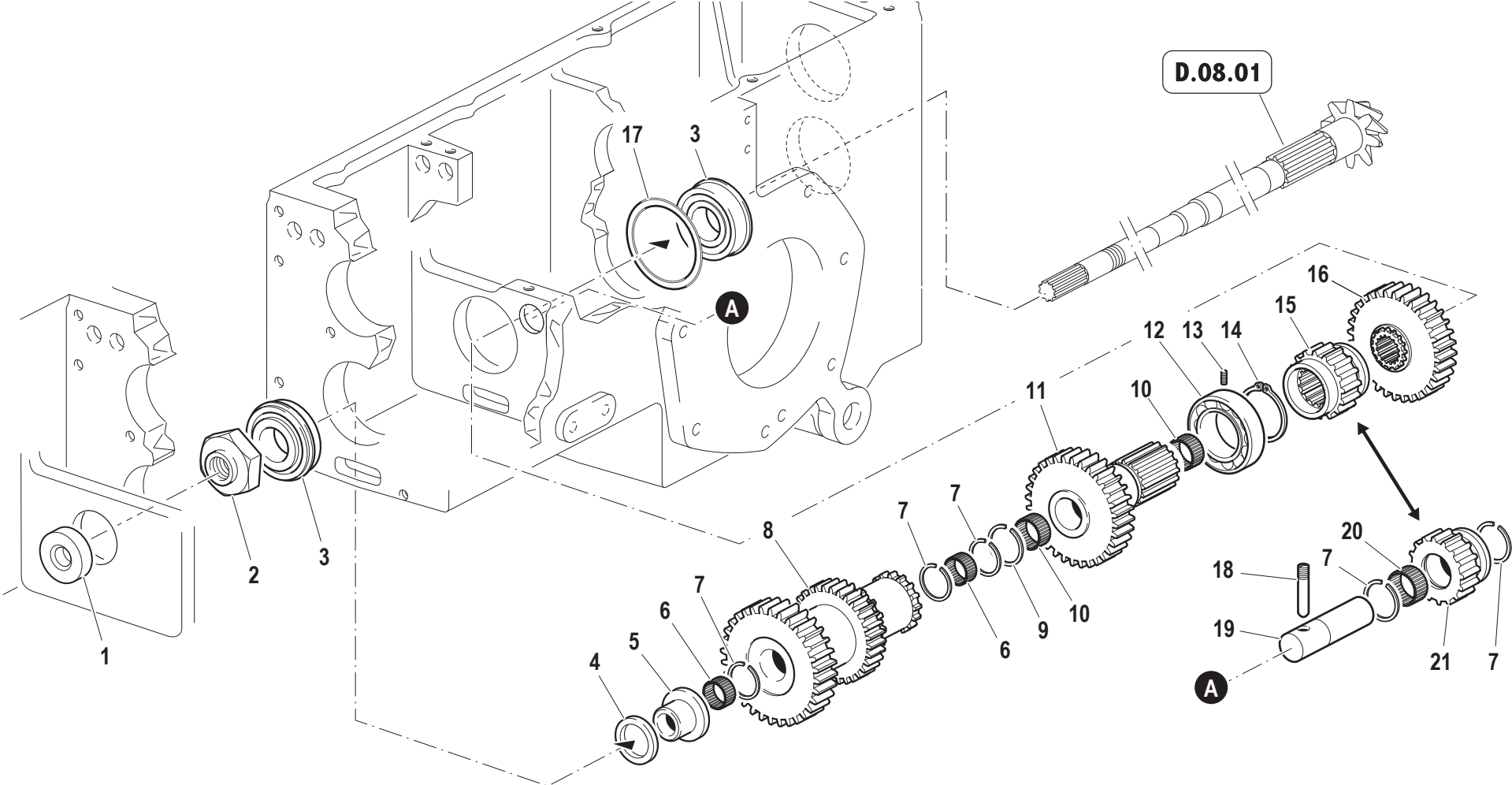
MAIN SHAFT AND CORRESPONDING GEARS





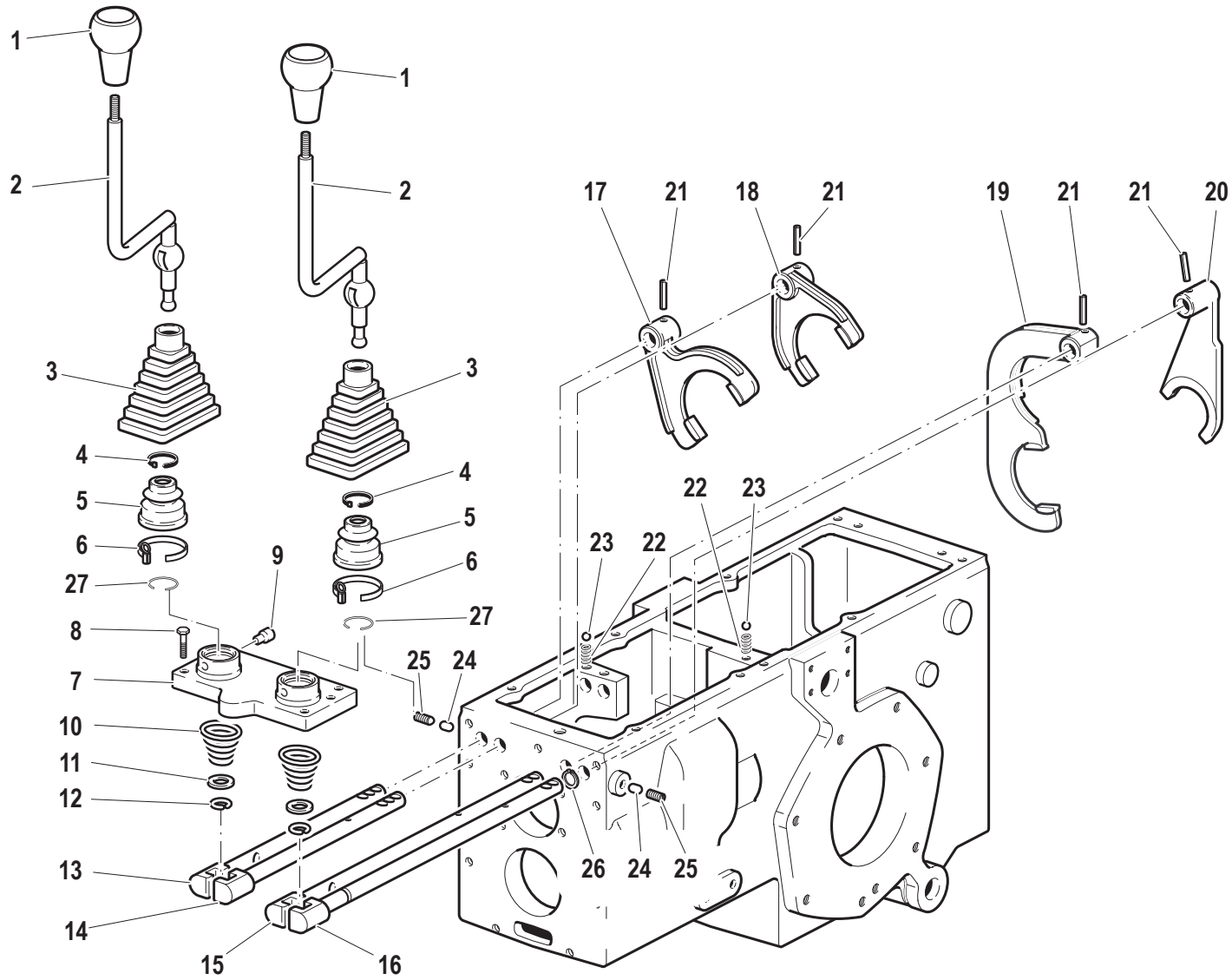
Pos.	Code	Q.ty	Description	Notes
1	F0812849100	0	BEARING	
2/1	59372819	0	SHAFT	
2/2	59373451	0	SHAFT	
3	F0812689000	0	ROLLER CAGE K 25X30/20 H	
4	52472646	0	SLIDING GEAR	
5	F0801331000	0	SEEGER RING	
6	52472651	0	SLIDING GEAR	
7	52472654	0	OUTPUT SHAFT	
8	37320155	0	ROLLER CAGE 16X20/13	
9	F0801151000	0	SAFETY RING	
10	F0812871030	0	ROLLER CAGE	
11	52476788	1	GEAR	
12	F0801248000	0	SAFETY RING	
13	F0812733075	0	ROLLER CAGE K 28X33/17	
14	F0812933000	0	BEARING 6009	
15	F0801425000	0	SEEGER RING	
16	52472659	0	PTO SHAFT	

TRANSMISSION SHAFT GEARS



Pos.	Code	Q.ty	Description	Notes
1	38212003	0	OIL SEAL	
2	56371652	0	NUT	
3	F0812810100	0	BEARING	
4	56371656	0	ADJUSTING RING	
4	56371657	0	ADJUSTING RING	
4	56371658	0	ADJUSTING RING	
4	56371659	0	ADJUSTING RING	
4	56371660	0	ADJUSTING RING	
5	56471655	0	BUSHING	
6	F0812689000	0	ROLLER CAGE K 25X30/20 H	
7	F0801241005	0	SAFETY RING	
8	52472928	0	GEAR	
9	F0801248000	0	SAFETY RING	
10	F0812733075	0	ROLLER CAGE K 28X33/17	
11	52475450	1	GEAR	
12	50973529	0	ROLLER BEARING	
13	F0862037050	0	GRAIN	
14	F0801331100	0	RETAINING RING	
15	52476787	1	SLIDING SLEEVE	
16	52472657	0	DRIVEN GEAR	
17	56371661	0	ADJUSTING RING	
17	56371662	0	ADJUSTING RING	
17	56371663	0	ADJUSTING RING	
17	56371664	0	ADJUSTING RING	
17	56373440	0	ADJUSTING RING	
18	56370178	0	SCREW	
19	56376791	1	GEAR PIN	
20	F0812686100	0	ROLLER CAGE	
21	52472852	0	INTERMEDIATE WHEEL	

# CHANGE GEAR CONTROLS



Pos.	Code	Q.ty	Description	Notes
1	58174192	0	HANDLE	
2	59074187	0	COMMAND LEVER	
3	55174163	0	BELLOWS	
4	58070169	1	LOCKRING	
5	55170053	0	CAP	
6	58170054	1	COLLAR	
7	51172684	0	COVER	
8	F0862694000	0	SCREW M8X170 UNI 5737	
9	56370018	0	HINGE PIN	
10	58070164	0	SPRING	
11	56370172	0	SPACER	
12	58070168	0	LOCKRING	
13	56372774	0	GEARSHIFT ROD	
14	56372775	0	GEARSHIFT ROD	
15	56372776	0	PULL ROD	
16	56372777	0	PULL ROD	
17	51272728	0	SELECTOR FORK	
18	51272729	0	SELECTOR FORK	
19	51272730	0	GEAR FORK	
20	59072731	0	FORK	
21	F0851180000	0	PIN 5X26 DIN 1481 CL:C72	
22	58070741	0	SPRING	
23	F0847434000	0	BALL	
24	56571697	0	TOGGLE	
25	F0863183000	0	SCREW M10X16 UNI 5923	
26	35121014	0	SEEGER RING	
27	F0817640003	1	CLAMP 4,8x180	

SERIAL  
END

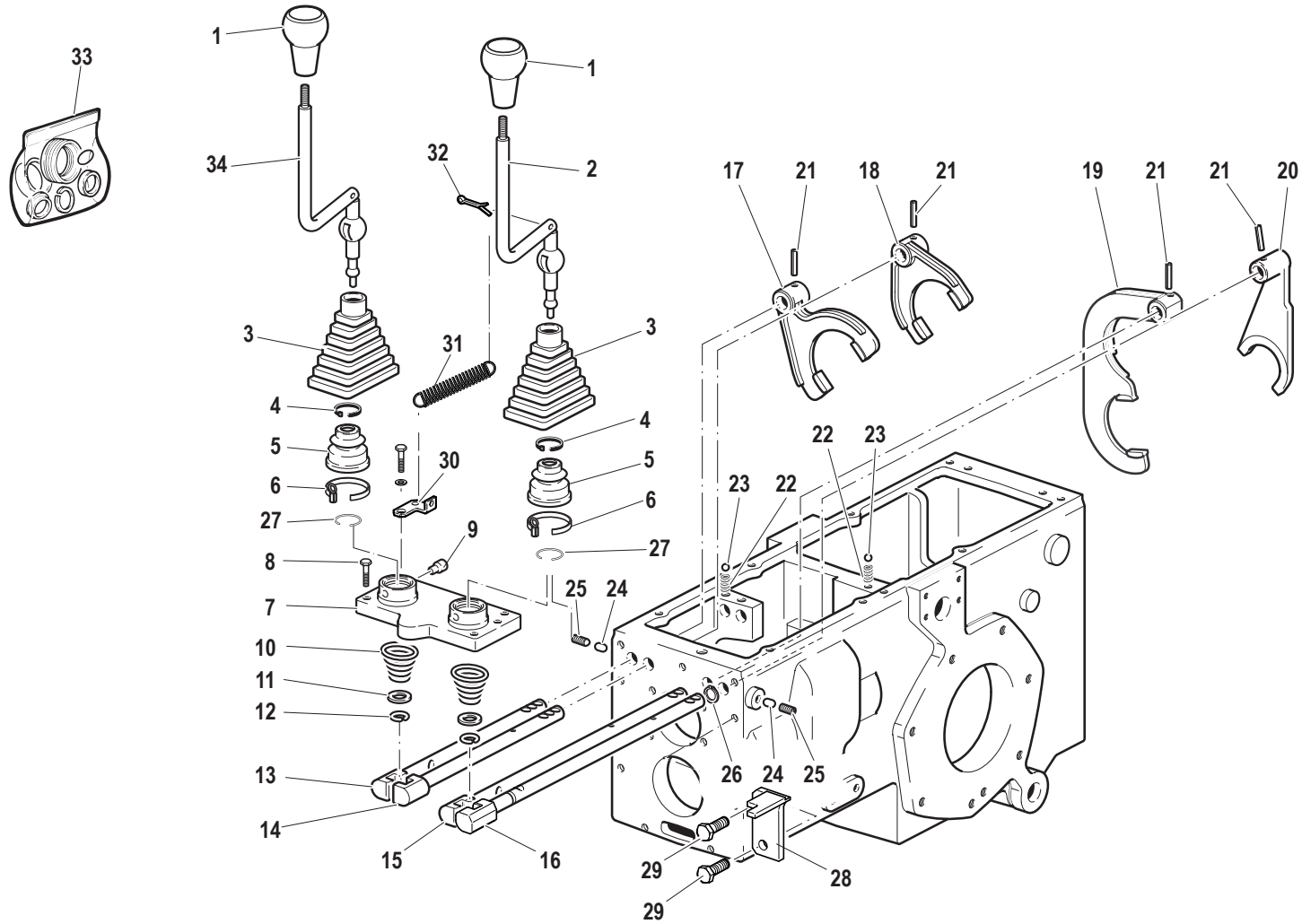
904259

CHANGE GEAR CONTROLS

CODE REV

D.07.01.L10001\_0

CHANGE GEAR CONTROLS



Pos.	Code	Q.ty	Description	Notes
1	58174192	2	HANDLE	
2	59076793	2	COMMAND LEVER	
3	55174163	2	BELLOWS	
4	58070169	1	LOCKRING	
5	55170053	2	CAP	
6	58170054	1	COLLAR	
7	51172684	1	COVER	
8	F0862694000	4	SCREW M8X170 UNI 5737	
9	56370018	4	HINGE PIN	
10	58070164	2	SPRING	
11	56370172	2	SPACER	
12	58070168	2	LOCKRING	
13	56372774	1	GEARSHIFT ROD	
14	56372775	1	GEARSHIFT ROD	
15	56372776	1	PULL ROD	
16	56376796	1	PULL ROD	
17	51272728	1	SELECTOR FORK	
18	51272729	1	SELECTOR FORK	
19	51272730	1	GEAR FORK	
20	59072731	1	FORK	
21	F0851180000	4	PIN 5X26 DIN 1481 CL:C72	
22	58070741	4	SPRING	
23	F0847434000	4	BALL	
24	56571697	2	TOGGLE	
25	F0863183000	2	SCREW M10X16 UNI 5923	
26	35121014	1	SEEGER RING	
27	F0817640003	2	CLAMP 4,8x180	
28	59076794	1	STOP PLATE	
29	31112212	2	SCREW TE M10X35 UNI 5739	
30	56176795	1	BRACKET	
31	F0831139000	1	SPRING	
32	34110031	1	SPLIT PIN	
33	59978068	1	KIT	
34	59074187	1	COMMAND LEVER	

SERIAL  
START  
**904260**

**CHANGE GEAR CONTROLS**

CODE REV

**D.07.01.L10001\_1**

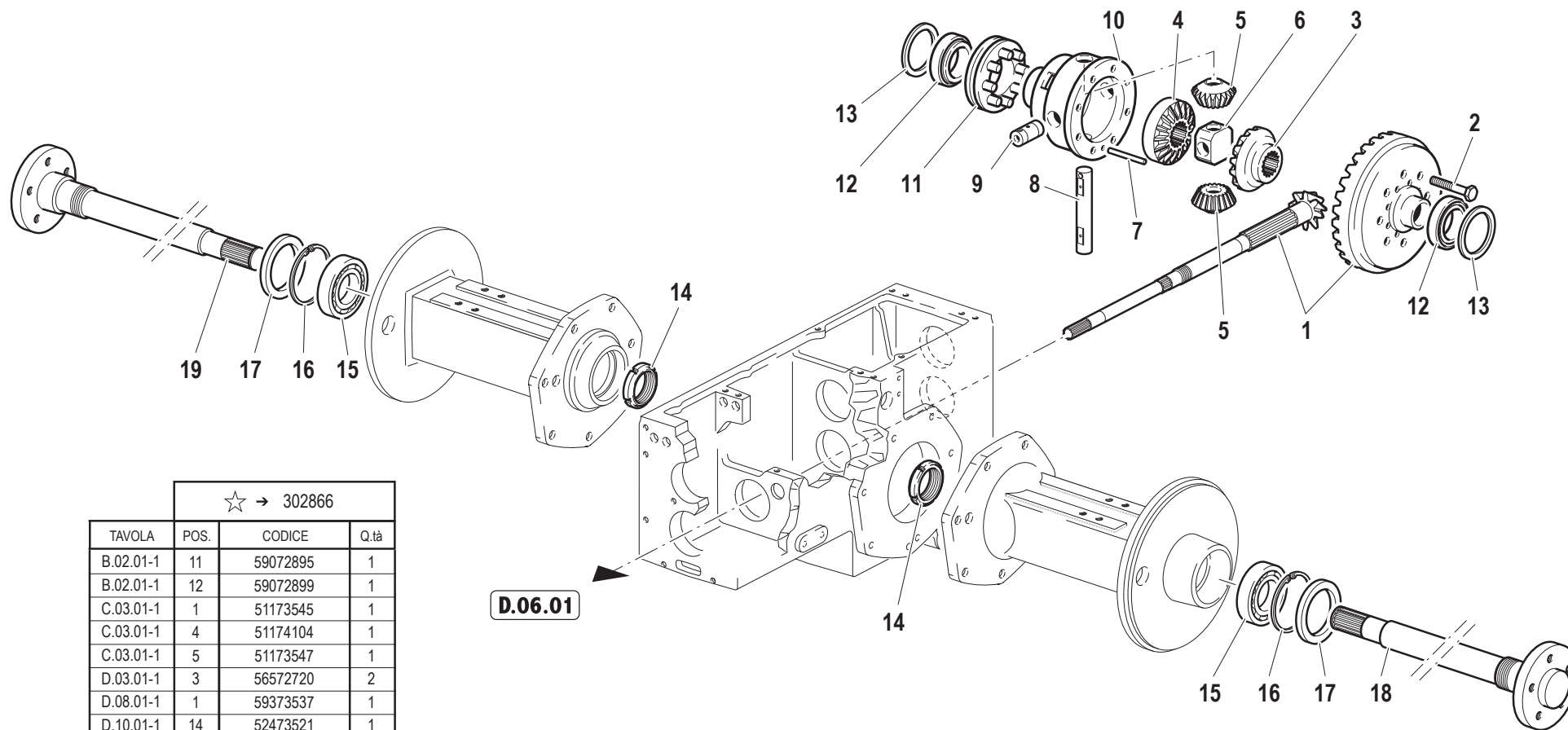
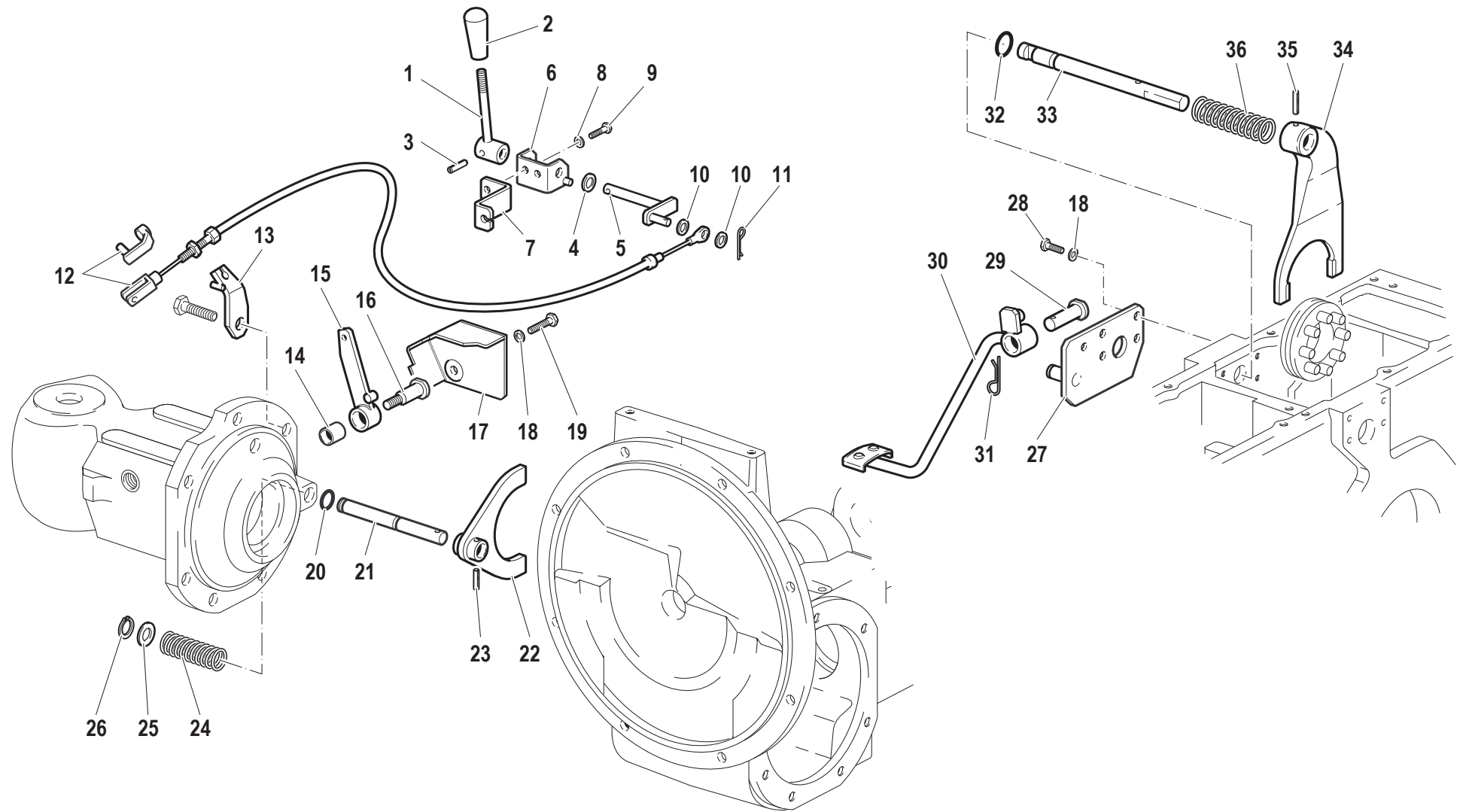


TAVOLA	POS.	CODICE	Q.tà
		☆ → 302866	
B.02.01-1	11	59072895	1
B.02.01-1	12	59072899	1
C.03.01-1	1	51173545	1
C.03.01-1	4	51174104	1
C.03.01-1	5	51173547	1
D.03.01-1	3	56572720	2
D.08.01-1	1	59373537	1
D.10.01-1	14	52473521	1



Pos.	Code	Q.ty	Description	Notes
1	59373537	1	BEVEL GEAR	
2	F0863267050	1	SCREW M10x25	
3	52472701	1	CROWN WHEEL	
4	52472700	1	CROWN WHEEL	
5	52471509	1	PLANETARY GEAR	
6	56572694	1	SMALL BLOCK	
7	56371994	1	PIN	
8	56471508	0	PIN	
9	56472695	1	PIN	
10	51374867	1	HOUSING	
11	56472698	1	SLEEVE	
12	F0812895100	1	BEARING 32009X	
13	56372702	1	RING	
13	56372703	1	RING	
13	56372704	1	RING	
13	56372705	0	RING	
13	56372706	1	RING	
14	F0821057000	1	SELFLOCK.RING NUT M40x1,5/D=5	
15	37111404	1	BEARING	
16	35111080	1	SEEGER RING	
17	F0802239052	1	SEAL 50X80X8	
18	52472711	1	REAR AXLE SHAFT	
19	52472712	1	REAR AXLE SHAFT	

# DIFFERENTIAL GEAR LOCK



Pos.	Code	Q.ty	Description	Notes
1	59072008	1	LEVER	
2	P295332000000	1	GRIP	
3	34211030	1	ROLL PIN	
4	31411104	1	WASHER 10,5x18	
5	59072007	1	LOCKING BOLT	
6	59072006	1	BRACKET	
7	56172009	1	BRACKET	
8	F0843570000	1	WASHER 6	
9	31112093	1	SCREW TE M6X20	
10	31411064	1	WASHER 6,4x12,5	
11	F0810505010	1	FRONT COVER	
12	58172946	1	CABLE	
13	59071778	1	BRACKET	
14	58071811	1	BUSHING	
15	59071779	1	COMMAND LEVER	
16	56371777	1	HINGE PIN	
17	59072678	1	SHIELD	
18	F0843643060	1	WASHER 8	
19	31111151	1	SCREW TE M8X16 UNI 5739 8G	
20	38110913	1	O-RING	
21	56372674	1	PULL ROD	
22	59072675	1	SELECTOR FORK	
23	F0851260000	1	PIN	
24	58070205	1	SPRING	
25	F0843957000	1	WASHER D.25x14,5/2,2	
26	35121014	1	SEEGER RING	
27	59073003	1	SUPPORT	
28	31111151	1	SCREW TE M8X16 UNI 5739 8G	
29	56372708	1	HINGE PIN	
30	59073509	1	PEDAL	
31	F0810527000	1	FRONT COVER	
32	F0803178000	1	O-RING	
33	56372696	1	PULL ROD	
34	51372697	1	FORK	

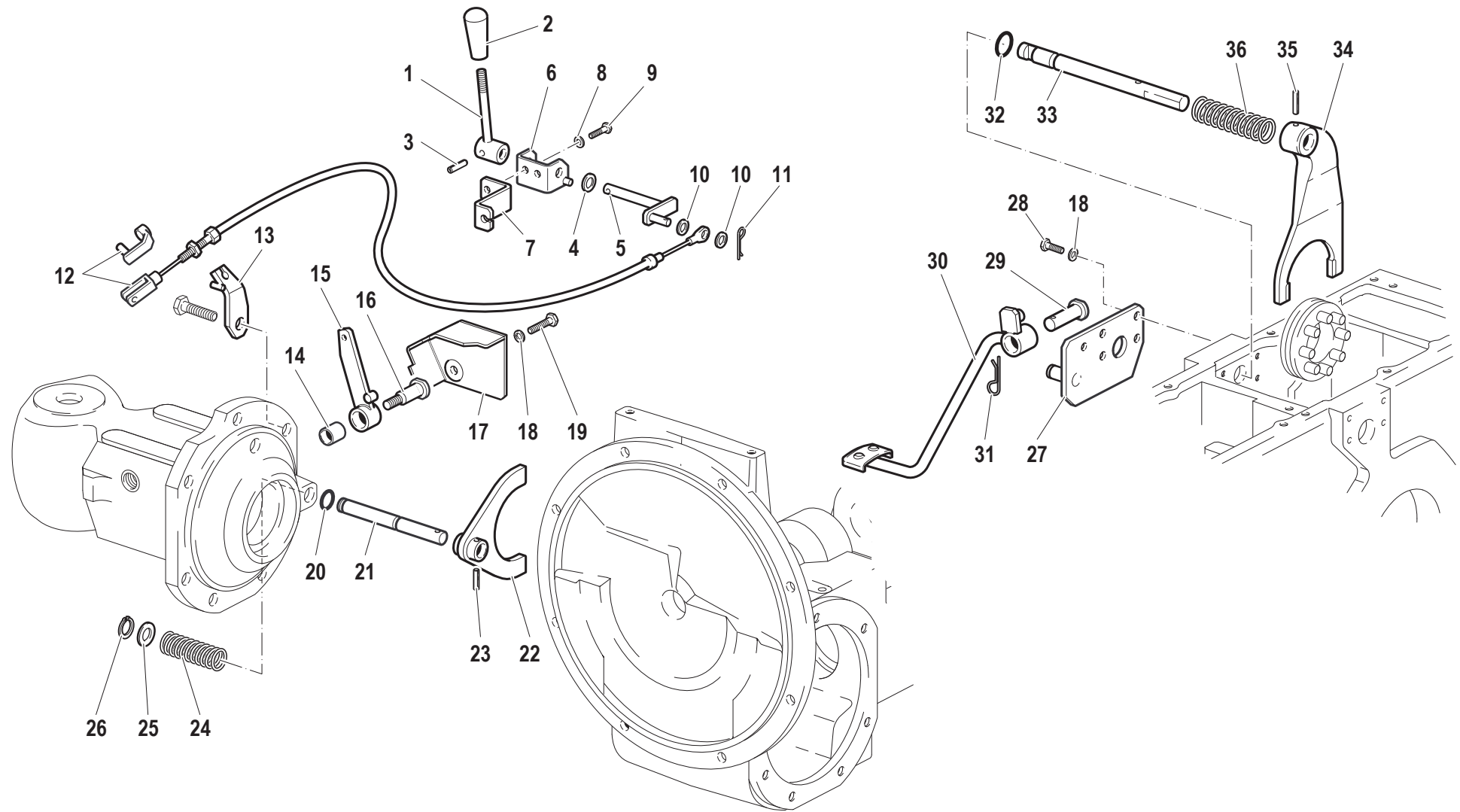
SERIAL

**DIFFERENTIAL GEAR LOCK**

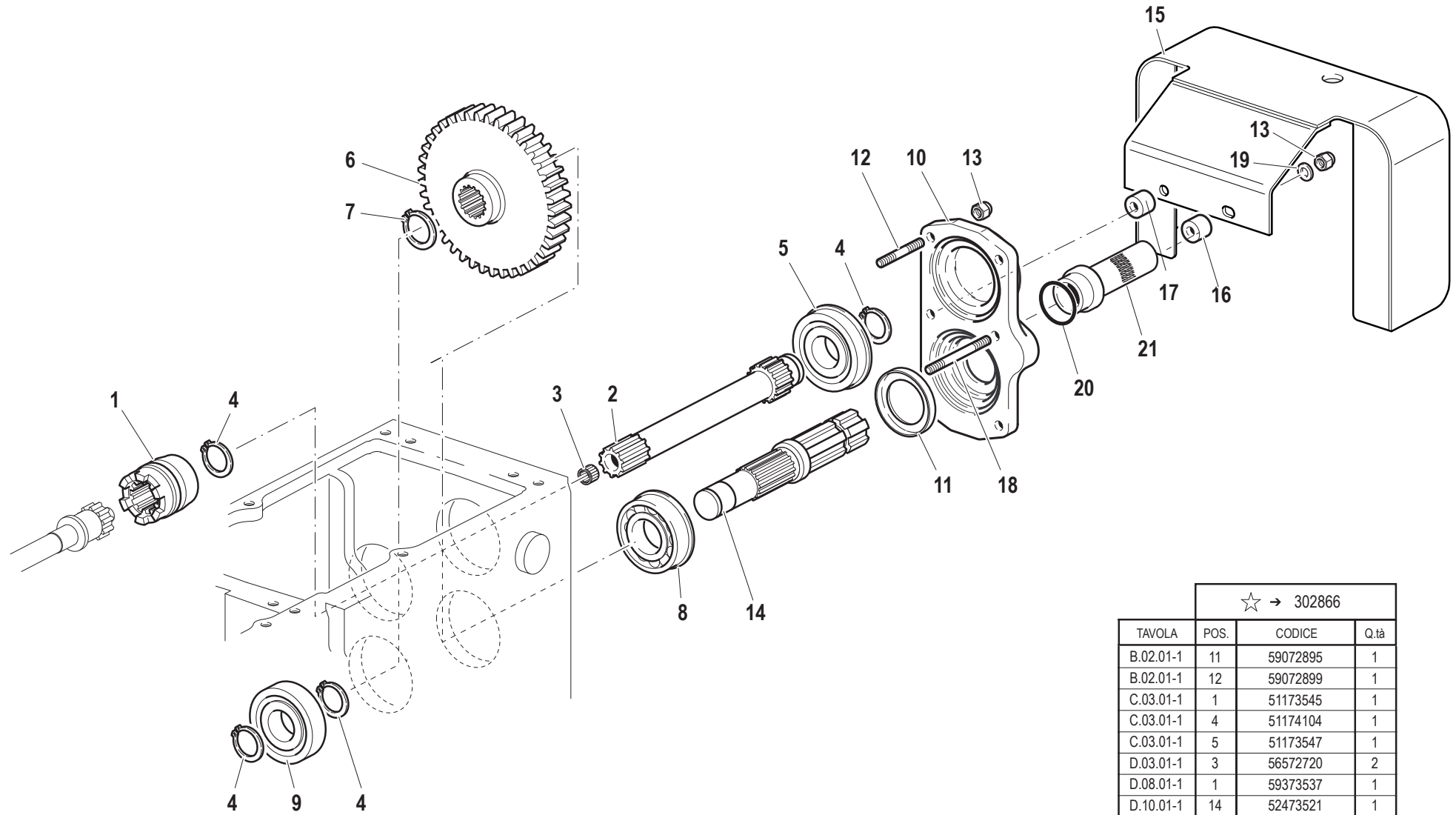
CODE REV

**D.09.01.L10001\_0**

# DIFFERENTIAL GEAR LOCK



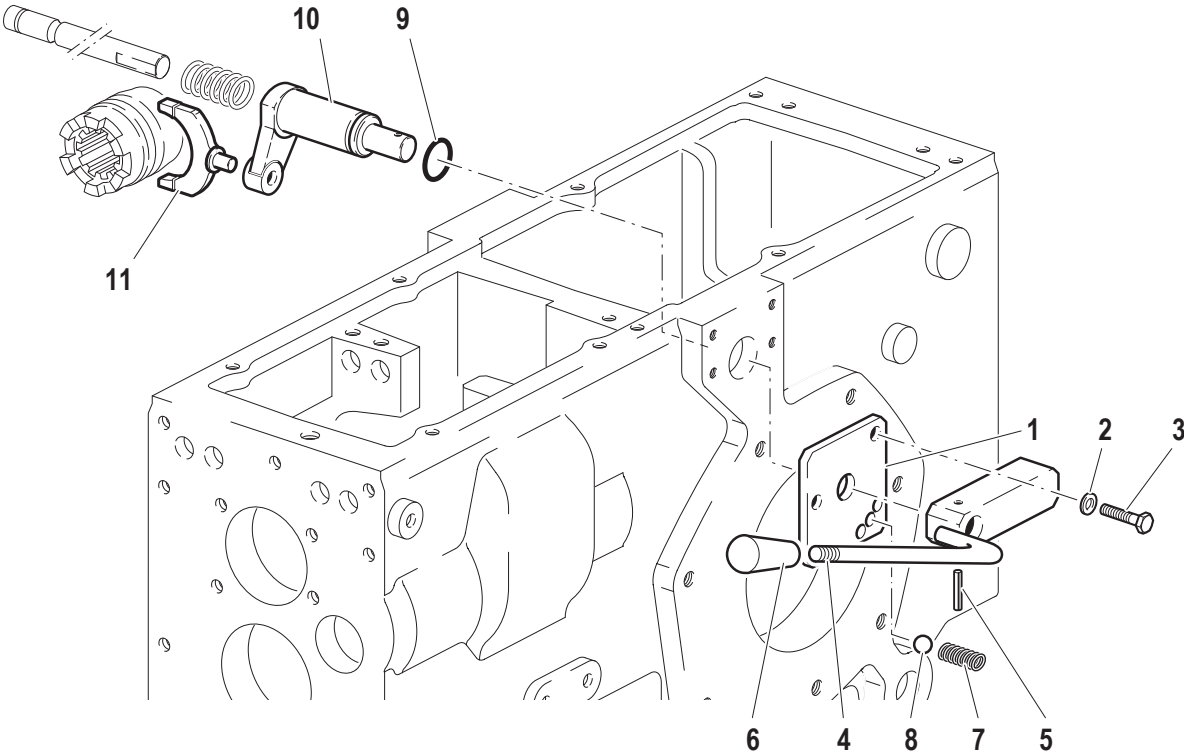
Pos.	Code	Q.ty	Description	Notes
35	F0851267050	1	PIN 6X30 DIN 7343 CL:C72	
36	58070198	1	SPRING	



☆ → 302866			
TAVOLA	POS.	CODICE	Q.tà
B.02.01-1	11	59072895	1
B.02.01-1	12	59072899	1
C.03.01-1	1	51173545	1
C.03.01-1	4	51174104	1
C.03.01-1	5	51173547	1
D.03.01-1	3	56572720	2
D.08.01-1	1	59373537	1
D.10.01-1	14	52473521	1

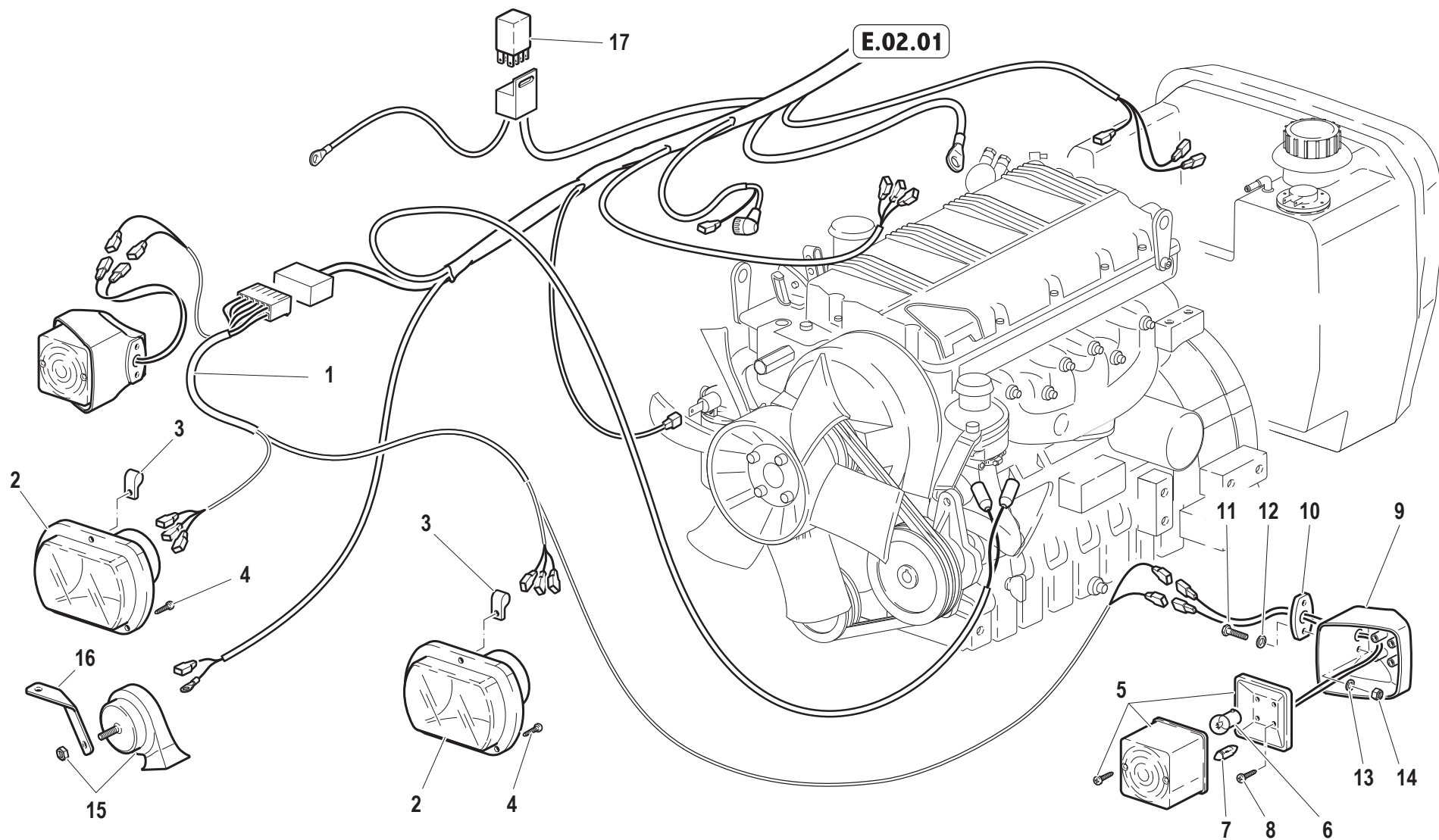
Pos.	Code	Q.ty	Description	Notes
1	52474190	1	GEAR SLEEVE	
2	52472933	1	PTO SHAFT	
3	F0812525100	1	BUSHING	
4	35121030	1	SEEGER RING	
5	F0812779000	1	BEARING	
6	52474123	1	DRIVEN GEAR	
7	F0801264050	1	SEEGER RING	
8	F0812849100	1	BEARING	
9	37111303	1	BEARING	
10	51176022	1	COVER	
11	F0802190010	1	SEAL	
12	F0838131000	1	STUD BOLT	
13	F0814574000	1	NUT	
14	52473521	1	SHAFT	
15	59075077	1	P.T.O. PROTECTION	
16	56172079	1	SPACER	
17	56172080	1	SPACER	
18	F0838166018	1	STUD BOLT	
19	F0843643060	1	WASHER 8	
20	P470433000000	1	PROTECTIVE RING	
21	P470330000000	1	GUARD	

POWER TAKE-OFF CONTROLS





<b>Pos.</b>	<b>Code</b>	<b>Q.ty</b>	<b>Description</b>	<b>Notes</b>
1	59072754	1	PLATE	
2	F0843643060	1	WASHER 8	
3	31112150	1	SCREW TE M8X20 UNI 5739 8G	
4	59072761	1	LEVER	
5	34211054	1	ROLL PIN	
6	F0837534010	1	GRIP	
7	58070741	1	SPRING	
8	F0847434000	1	BALL	
9	38112200	1	O-RING	
10	52371679	1	LEVER	
11	52472430	1	SELECTOR FORK	

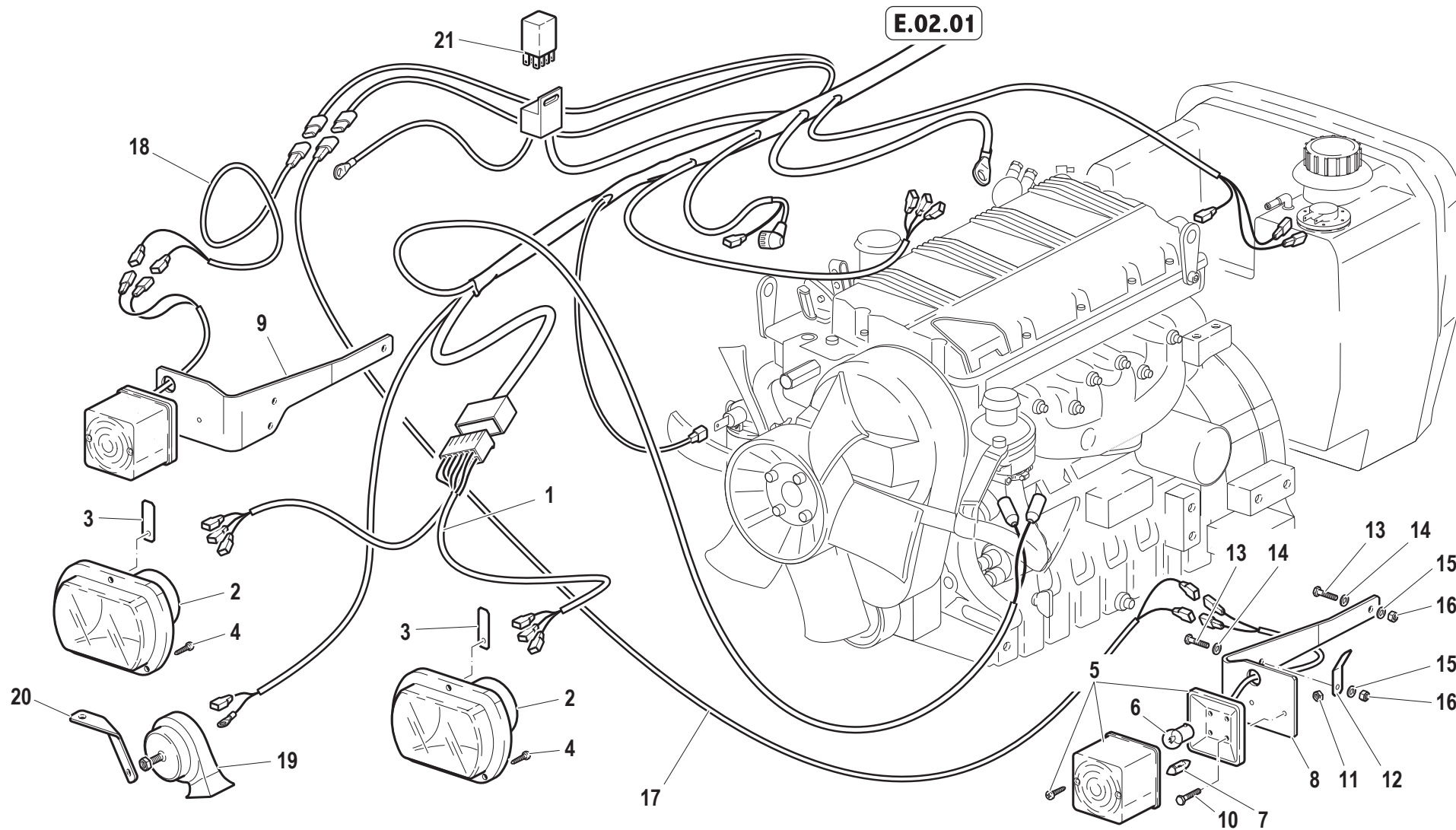


Pos.	Code	Q.ty	Description	Notes
1	58073234	1	CABLE	
2	F0825404050	1	HEADLIGHT	
3	56173748	1	CLAMP	
4	F1000005108	1	SCREW A/F TCB 7981 4,8X13 ZNT	
5	F0825500000	1	HEADLIGHT	
6	F0825440110	1	LAMP	
7	F0825440100	1	LAMP	
8	F0861867001	1	SCREW M4,2X16 DIN 7981	
9	55073540	1	SUPPORT	
10	57370998	1	BLOCK	
11	31112089	1	SCREW TE M6X25 UNI 5739 8G	
12	31411066	1	WASHER 6,6x18	
13	31424064	1	SPRING WASHER 6,4	
14	31211060	1	HEXAGONAL NUT M8	
15	F0825417000	1	HORN	
16	56174160	1	SMALL PLATE	
17	F0834378001	1	CENTRAL PROCESSING UNIT	

SERIAL  
END  
**400050**

**FRONT ELECTRICAL SYSTEM**

CODE REV  
**E.01.01.L10001\_0**



Pos.	Code	Q.ty	Description	Notes
1	58073763	1	CABLE	
2	F0825404050	1	HEADLIGHT	
3	56173748	1	CLAMP	
4	F1000005108	1	SCREW A/F TCB 7981 4,8X13 ZNT	
5	F0825500000	1	HEADLIGHT	
6	F0825440110	0	LAMP	
7	F0825440100	1	LAMP	
8	56173749	1	SUPPORT	
9	56173750	1	SUPPORT	
10	F0861846010	1	SCREW M4X12 UNI 5739	
11	F0814517010	0	SELFLOCK NUT M4 CL:6	
12	56173751	0	CLAMP	
13	31112087	0	SCREW TE M6X22 UNI 5739 8G	
14	31411064	0	WASHER 6,4x12,5	
15	F0843570000	0	WASHER 6	
16	31211060	0	HEXAGONAL NUT M8	
17	58073766	0	CABLE	
18	58073765	0	CABLE	
19	F0825417000	0	HORN	
20	56174160	0	SMALL PLATE	
21	F0834378001	0	CENTRAL PROCESSING UNIT	

SERIAL  
START  
**400051**

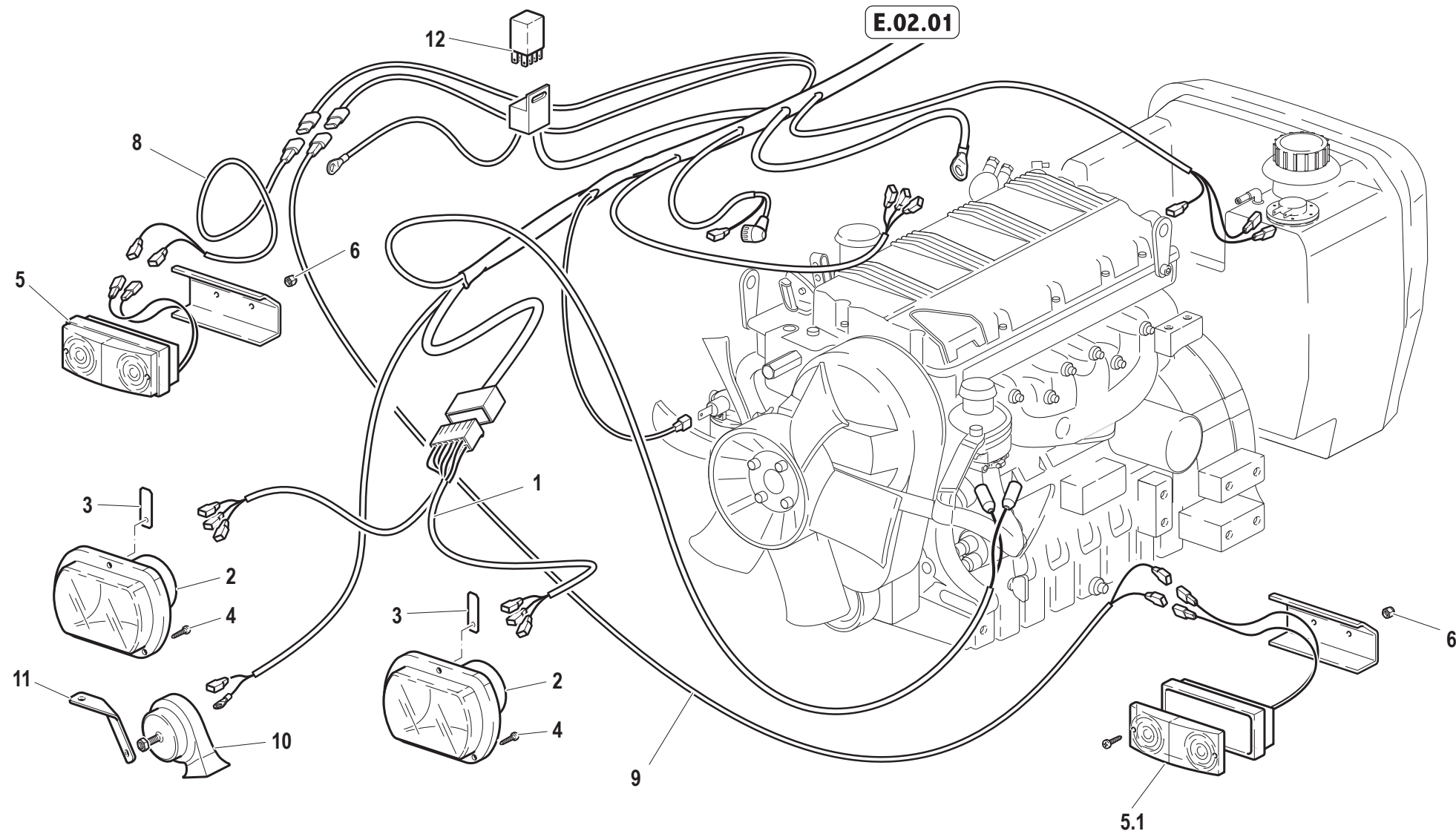
END  
**900585**

**FRONT ELECTRICAL SYSTEM**

CODE REV

**E.01.01.L10001\_1**

FRONT ELECTRICAL SYSTEM



Pos.	Code	Q.ty	Description	Notes
1	58073763	1	CABLE	
2	F0825404050	2	HEADLIGHT	
3	56173748	2	CLAMP	
4	F1000005108	6	SCREW A/F TCB 7981 4,8X13 ZNT	
5	F0825420500	2	LAMP	
5.1	F0825420560	1	GLASS	
6	F0814529080	4	SELFLOCK NUT	
7	58170984	1	PLASTIC PLUG	
8	58075617	1	CABLE	
9	58075610	1	CABLE	
10	F0825417000	1	HORN	
11	56174160	1	SMALL PLATE	
12	F0834378001	1	CENTRAL PROCESSING UNIT	

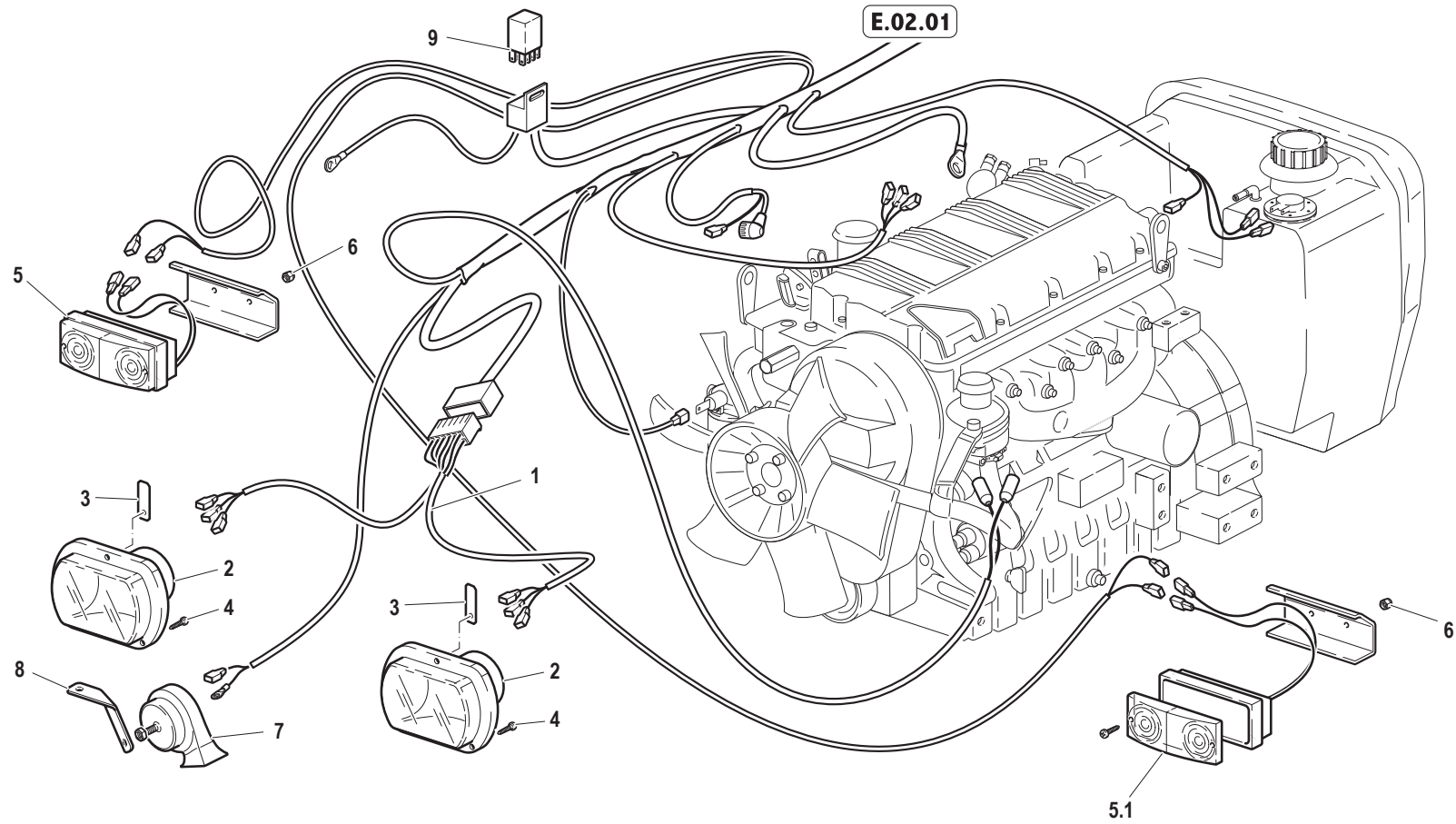
SERIAL  
START  
**900586**

END  
**913420**

**FRONT ELECTRICAL SYSTEM**

CODE REV  
**E.01.01.L10001\_2**

# FRONT ELECTRICAL SYSTEM



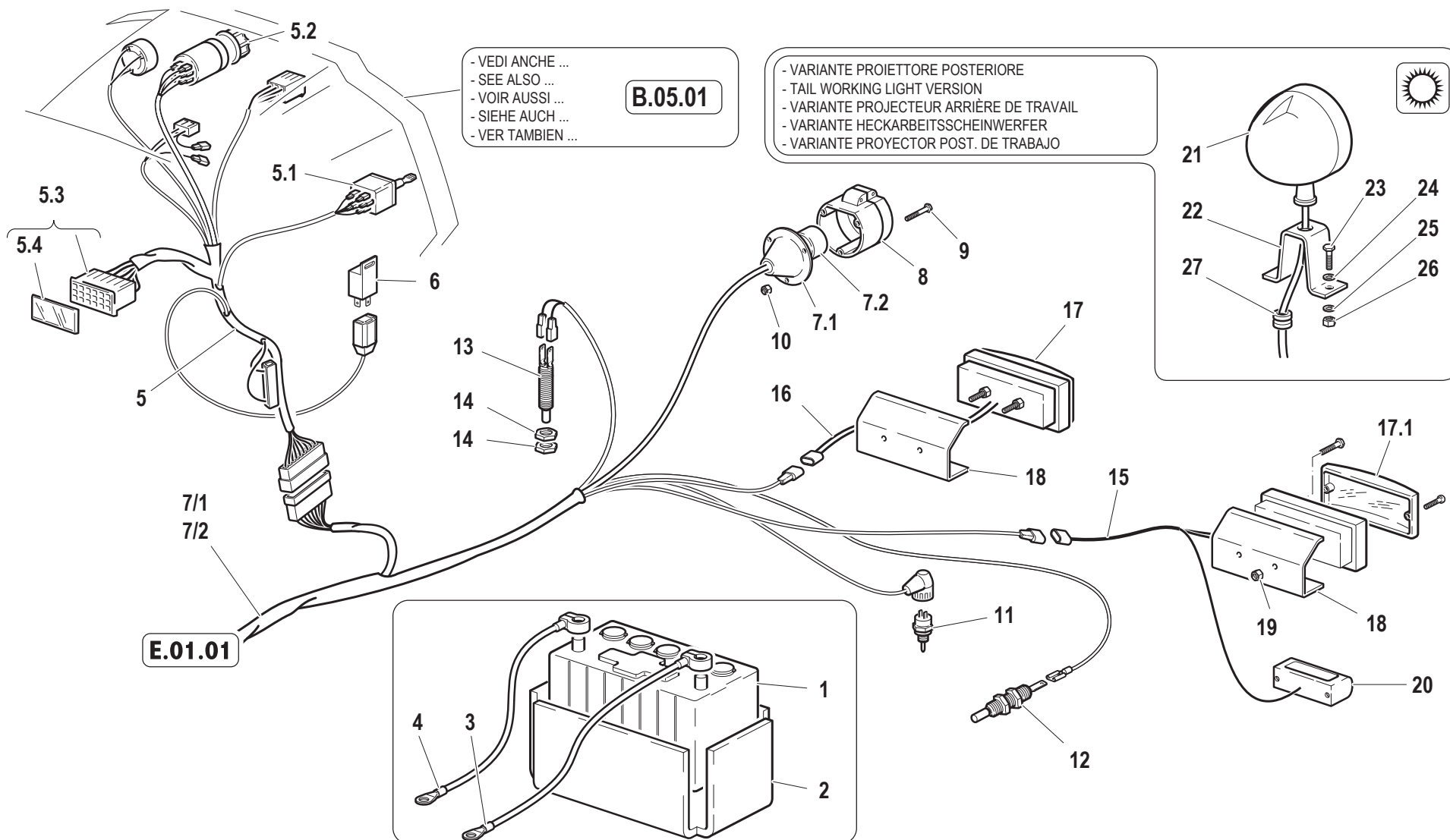


Pos.	Code	Q.ty	Description	Notes
1	58078988	1	CABLE	
2	F0825404050	2	HEADLIGHT	
3	56173748	2	CLAMP	
4	F1000005108	6	SCREW A/F TCB 7981 4,8X13 ZNT	
5	58078989	2	LAMP	
5.1	F0825420560	1	GLASS	
6	F0814529080	4	SELFLOCK NUT	
7	F0825417000	1	HORN	
8	56174160	1	SMALL PLATE	
9	F0834378001	1	CENTRAL PROCESSING UNIT	

SERIAL  
START  
**913421**

**FRONT ELECTRICAL SYSTEM**

CODE REV  
**E.01.01.L10001\_3**



Pos.	Code	Q.ty	Description	Notes
1	F0825470050	0	BATTERY	
2	57373231	1	LINING	
3	58074023	1	CABLE	
4	58074024	1	CABLE	
5	58077816	1	CABLE	
5.1	F0825436000	1	SWITCH	
5.2	F0825436003	1	SWITCH	
5.3	58170453	1	FUSE BOX	
5.4	58172267	1	COVER	
6	F0825139000	1	FLASHER	
7.1	58170571	1	ATTACHMENT PLUG	
7/1	58073764	1	CABLE	
7/2	58074170	1	CABLE	
7.2	58170572	1	CAP	
8	F0825438000	1	SOCKET	
9	F0861941000	1	SCREW	
10	31211050	1	NUT M5	
11	F0825117000	1	SWITCH	
12	F0825488000	1	SWITCH	
13	58173230	0	PUSH-BUTTON	
14	F0814744050	0	NUT M14X1,5	
15	58073235	0	CABLE	
16	58073236	0	CABLE	
17	F0825420600	0	LAMP	
17.1	F0825420660	0	GLASS	
18	56171938	0	BRACKET	
19	F0814529080	0	SELFLOCK NUT	
20	30000506	0	LAMP	
21	F0825493000	0	HEADLIGHT	
22	F0190035152	0	SUPPORT	
23	F0862488000	0	SCREW	
24	F0843643060	0	WASHER 8	
25	F0843708000	0	WASHER 9x24/2	
26	F0814574000	0	NUT	

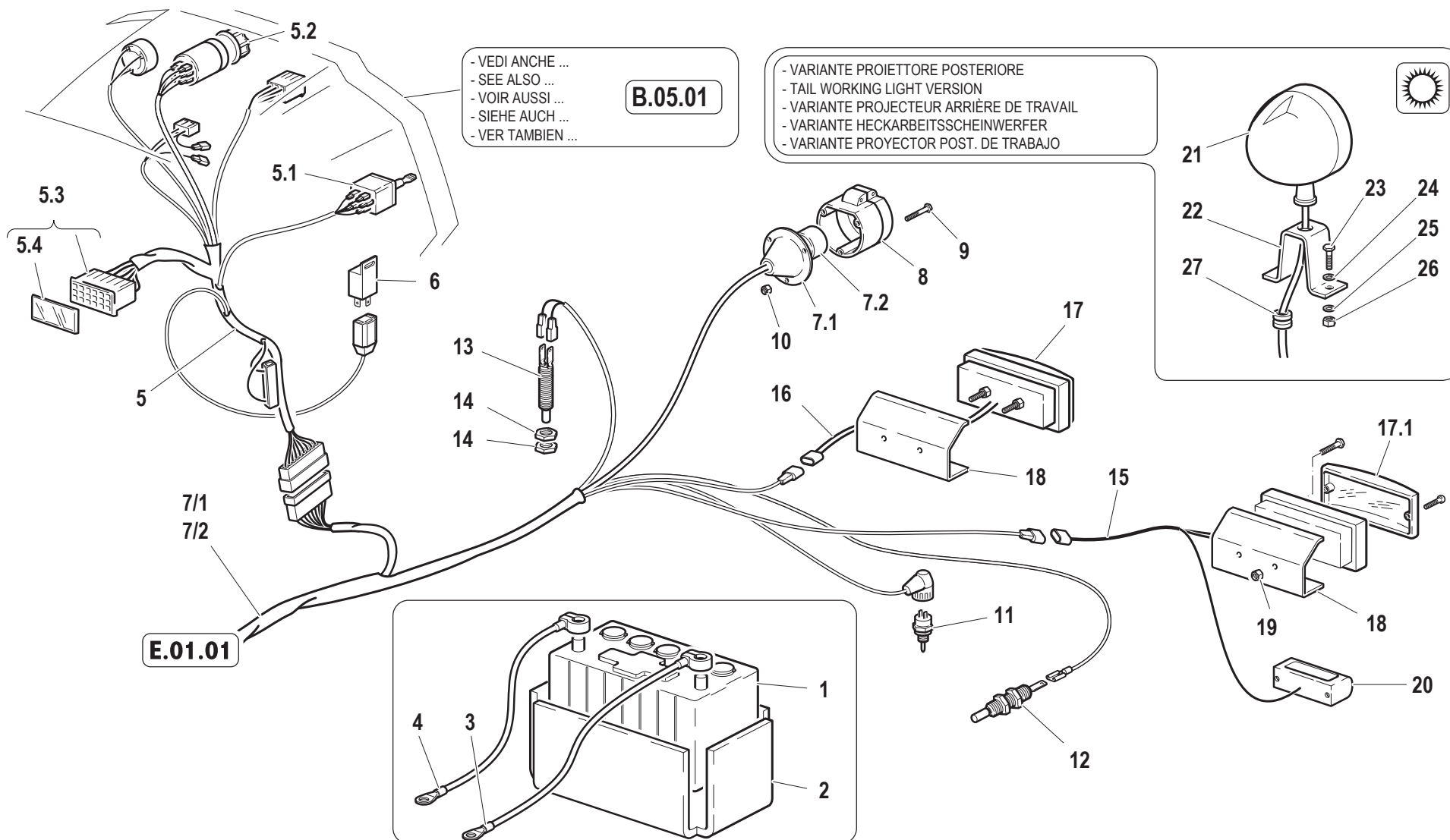
SERIAL  
END

913420

**BATTERY AND REAR ELECTRICAL SYSTEM**

CODE REV

E.02.01.L10001\_0



Pos.	Code	Q.ty	Description	Notes
27	F0825414000	0	CABLE GLAND 7-15-18,5-2,5	

SERIAL  
END

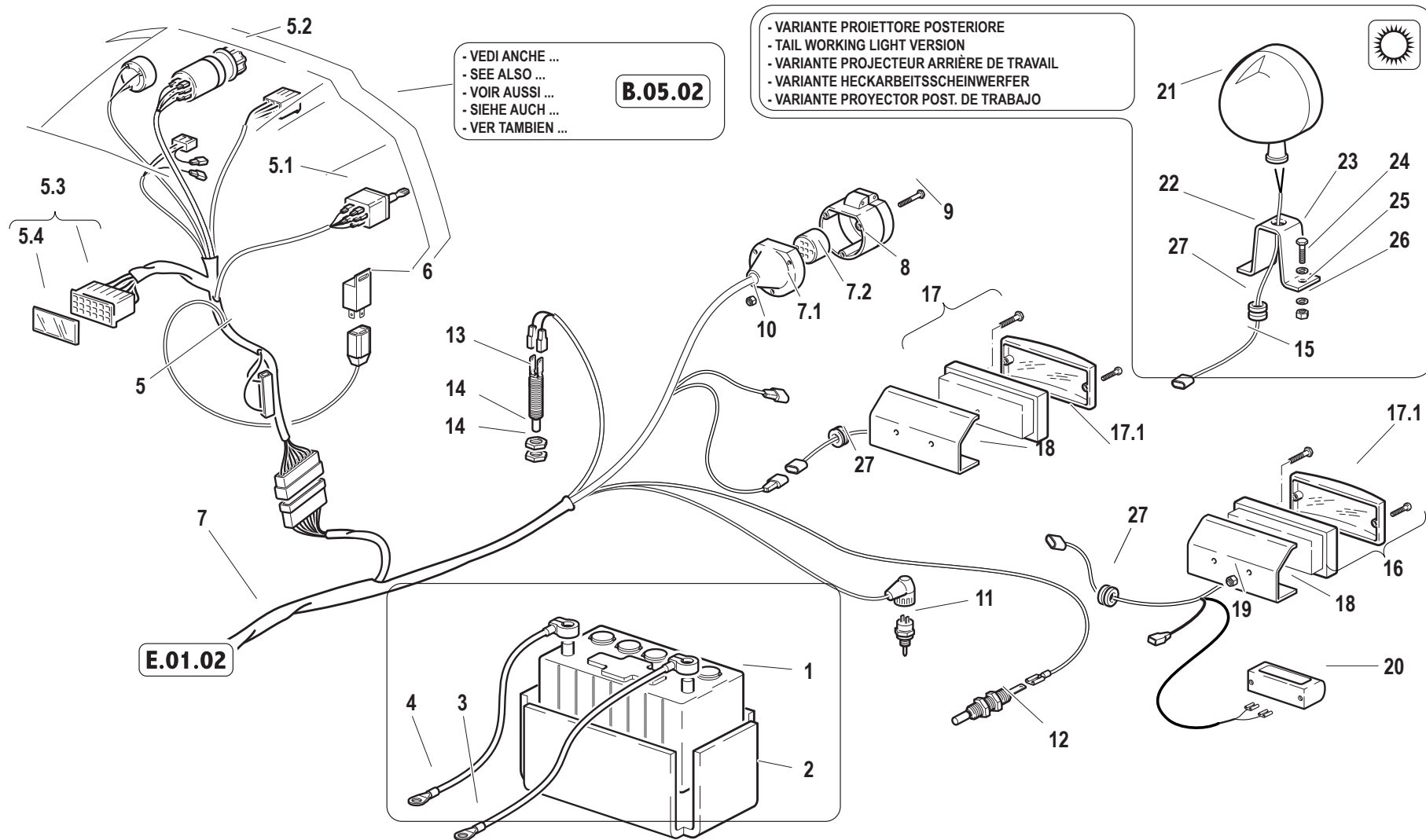
**913420**

**BATTERY AND REAR ELECTRICAL SYSTEM**

CODE REV

**E.02.01.L10001\_0**

# BATTERY AND REAR ELECTRICAL SYSTEM



Pos.	Code	Q.ty	Description	Notes
1	F0825470050	1	BATTERY	
2	57373231	1	LINING	
3	58074023	1	CABLE	
4	58074024	1	CABLE	
5	58077816	1	CABLE	
5.1	F0825436000	1	SWITCH	
5.2	F0825436003	1	SWITCH	
5.3	58170453	1	FUSE BOX	
5.4	58172267	1	COVER	
6	F0825139000	1	FLASHER	
7	58078987	1	CABLE	
7.1	58170571	1	ATTACHMENT PLUG	
7.2	58170572	1	CAP	
8	F0825438000	1	SOCKET	
9	F0861941000	1	SCREW	
10	31211050	1	NUT M5	
11	F0825117000	1	SWITCH	
12	F0825488000	1	SWITCH	
13	58173230	1	PUSH-BUTTON	
14	F0814744050	1	NUT M14X1,5	
15	58078992	1	CABLE	
16	58078990	1	LAMP	
17	58078991	1	LAMP	
17.1	F0825420660	1	GLASS	
18	56171938	1	BRACKET	
19	F0814529080	1	SELFLOCK NUT	
20	30000506	1	LAMP	
21	F0825493000	1	HEADLIGHT	
22	F0190035152	1	SUPPORT	
23	F0862488000	1	SCREW	
24	F0843643060	1	WASHER 8	
25	F0843708000	1	WASHER 9x24/2	
26	F0814574000	1	NUT	
27	F0825414000	1	CABLE GLAND 7-15-18,5-2,5	

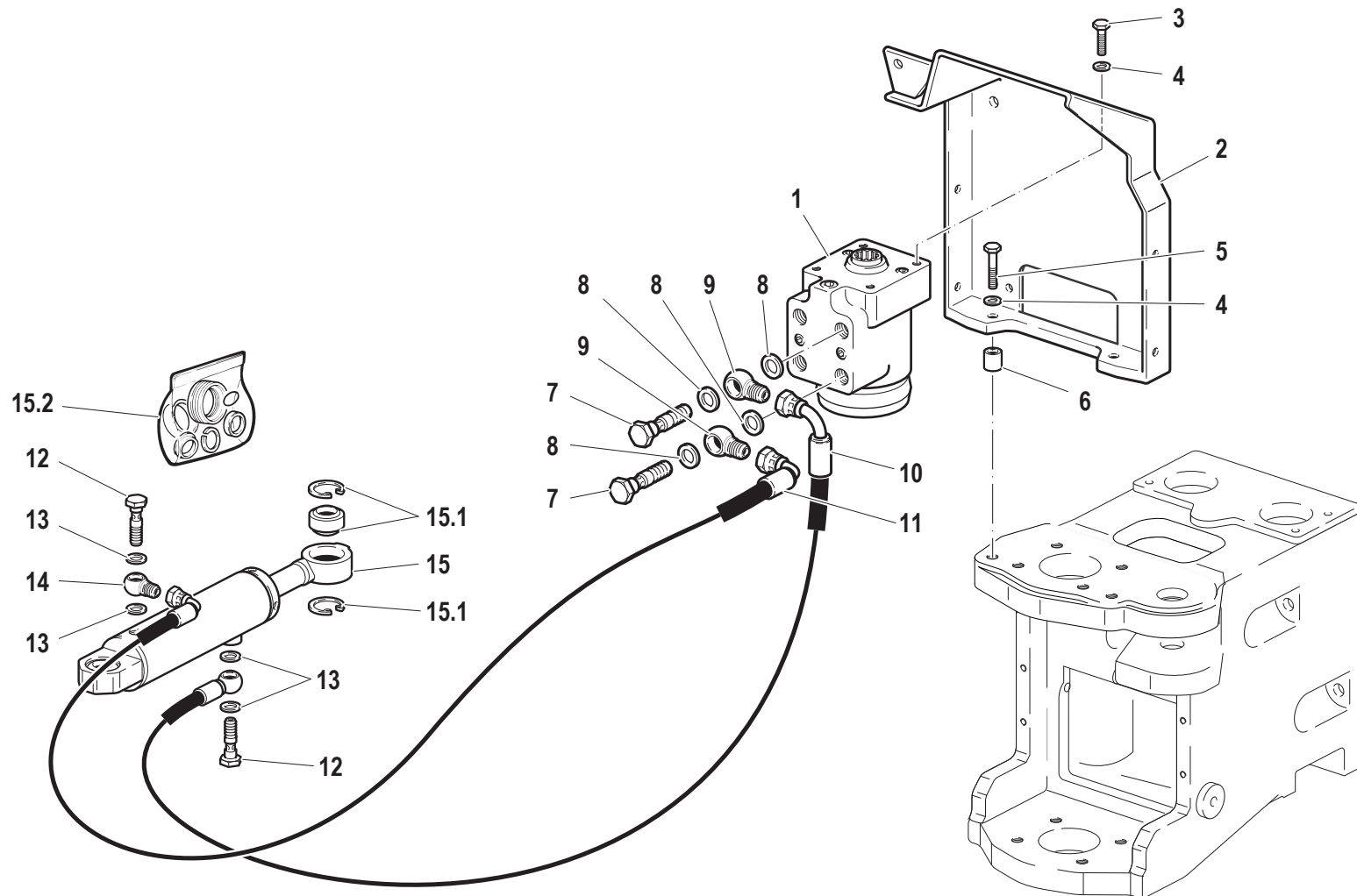
SERIAL  
START  
**913421**

**BATTERY AND REAR ELECTRICAL SYSTEM**

CODE REV

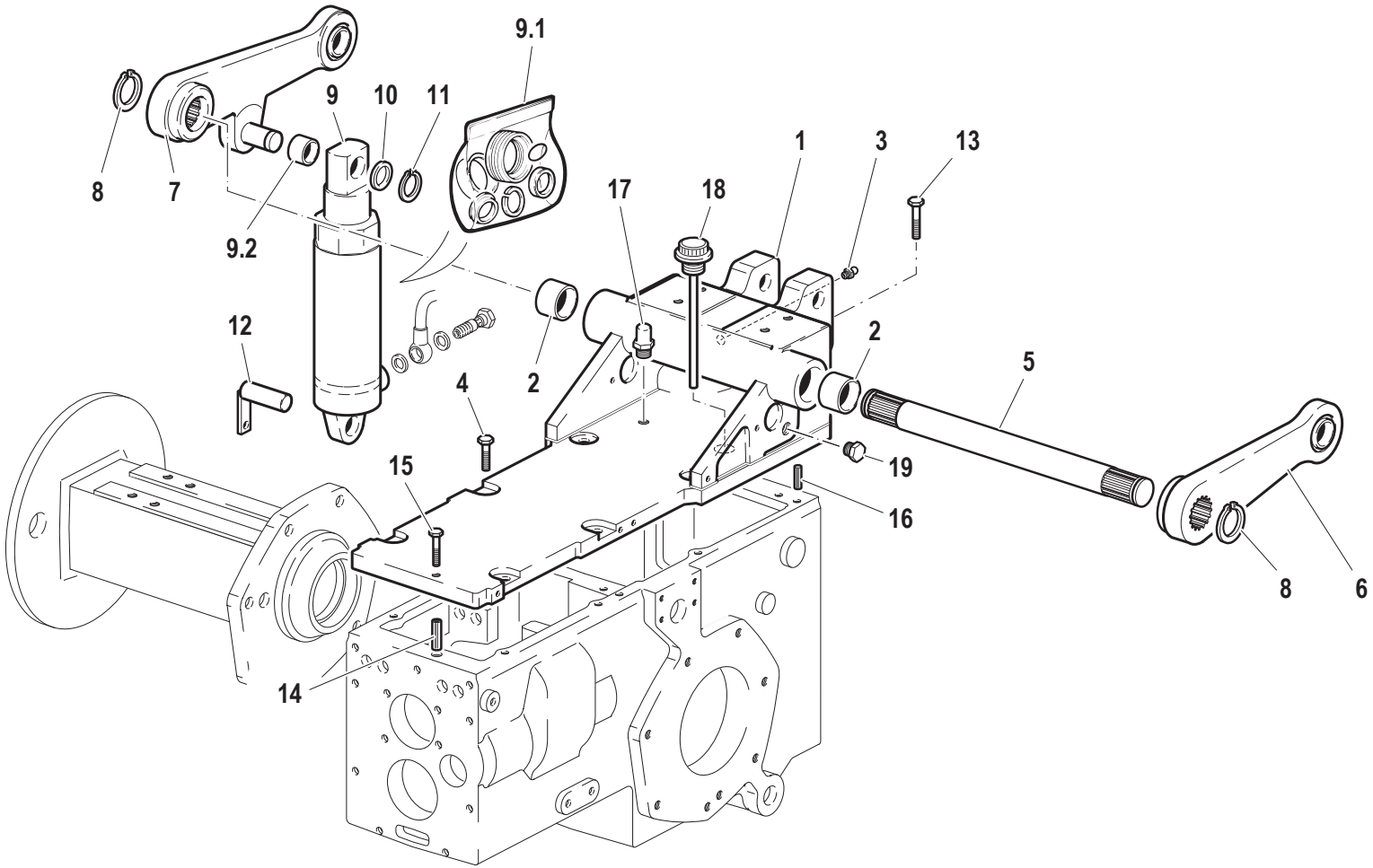
**E.02.01.L10001\_1**

# STEERING HYDRAULIC SYSTEM

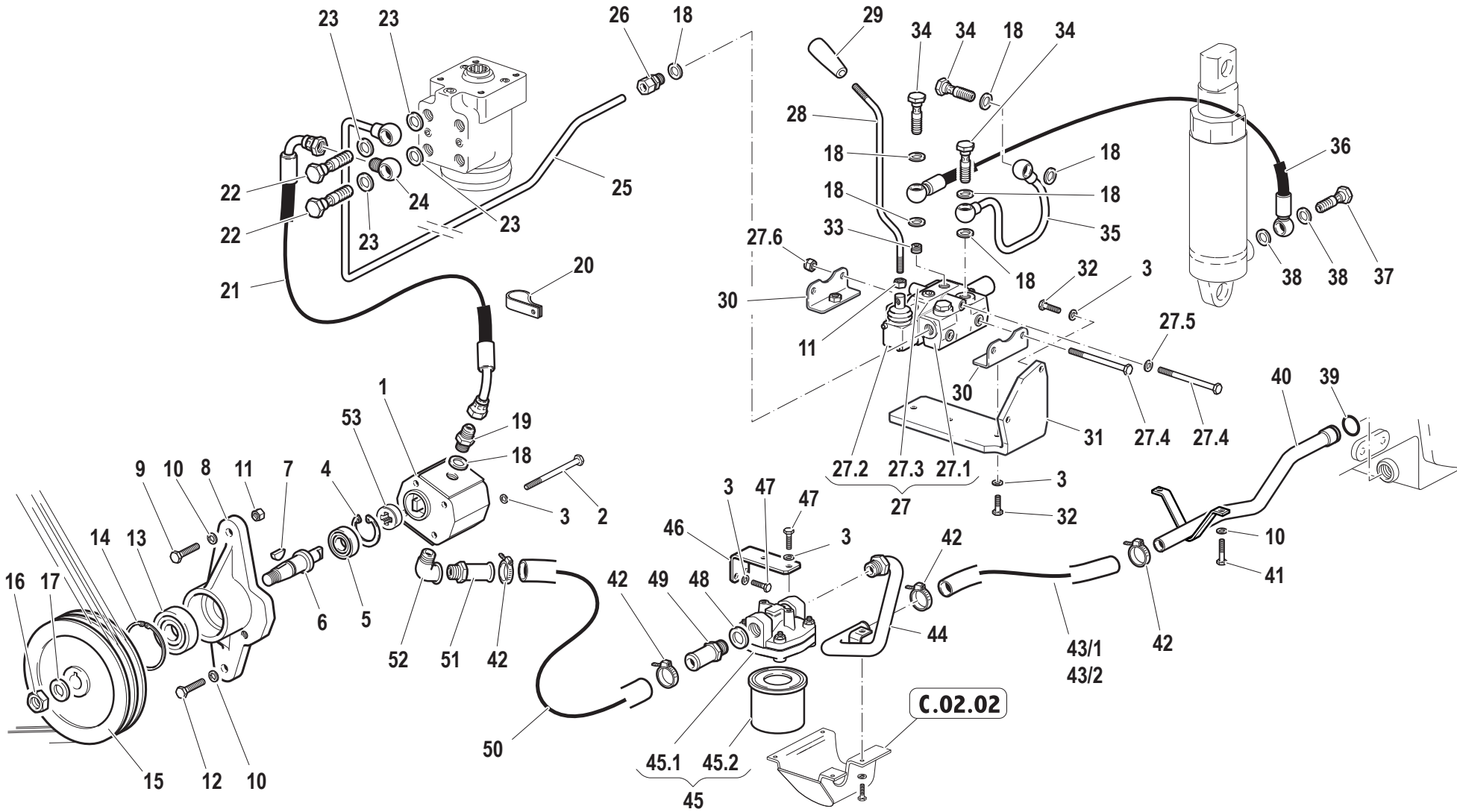




Pos.	Code	Q.ty	Description	Notes
1	58173164	0	HYDROSTEERING	
2	59072974	0	SUPPORT	
3	31112219	0	SCREW TE M10X25 UNI 5739	
4	F0843755000	0	WASHER 10	
5	31112214	0	SCREW	
6	56171967	0	SPACER	
7	F0843116000	0	PIPE FITTING 1/2	
8	F0824141000	0	COPPER WASHER 21x27/1,5	
9	F0835040030	0	PIPE FITTING	
10	58073498	0	FLEXIBLE HOSE	
11	58073499	0	FLEXIBLE HOSE	
12	F0843109000	0	PIPE FITTING 14x1,5	
13	F0843948000	0	COPPER WASHER 14,0x20/1,5	
14	58170930	0	PIPE FITTING	
15	58174019	0	STEERING CYLINDER	
15.1	59900178	0	BUSHINGS KIT	
15.2	59900247	1	GASKET SET	



Pos.	Code	Q.ty	Description	Notes
1	51171641	1	SUPPORT	
2	58171861	1	BUSHING	
3	F0826056000	1	LUBRICATOR M10 UNI 7663A	
4	31112219	1	SCREW TE M10X25 UNI 5739	
5	56571785	1	SHAFT	
6	59072829	1	LIFTING ARM	
7	59072825	1	RIGHT ARM	
8	F0801264050	0	SEEGER RING	
9	58071534	1	LIFTING CYLINDER	
9.1	59900181	1	GASKET SET	
9.2	59900180	0	BUSHING	
10	56172905	1	THRUST PLATE	
11	F0801149010	0	SEEGER RING	
12	59072722	1	PIN	
13	F0863328000	1	SCREW	
14	56170017	1	PIN	
15	31112154	1	SCREW TE M8X40 UNI 5739 8G	
16	56370228	1	CYLINDRICAL PLUG	
17	30040005	1	PLUG	
18	58071805	1	PLUG	
19	58072045	1	PLUG	



Pos.	Code	Q.ty	Description	Notes
1	58172911	0	PUMP	
2	F0863079000	0	SCREW	
3	F0843643060	0	WASHER 8	
4	F0801127050	0	SEEGER RING	
5	F0812523050	0	BEARING 6201-2RS	
6	56372831	0	CONTROL SHAFT	
7	58172914	0	KEY	
8	51172830	0	SUPPORT	
9	F0863449000	0	SCREW	
10	F0843755000	0	WASHER 10	
11	31211100	0	NUT M10	
12	F0863359000	0	SCREW M10X40 UNI 5737	
13	37112172	0	BEARING	
14	35111047	0	SEEGER RING	
15	51172832	0	PULLEY	
16	F0814688010	0	NUT M12X1,5	
17	58172915	0	WASHER	
18	F0824110000	0	COPPER WASHER 3/8 GAS	
19	F0835024010	0	NIPPLE	
20	F0825416000	0	CLAMP	
21	58073147	0	FLEXIBLE HOSE	
22	F0843116000	0	PIPE FITTING 1/2	
23	F0824141000	0	COPPER WASHER 21x27/1,5	
24	F0842512000	0	PIPE FITTING	
25	59074089	0	PRESSURE PIPE	
26	58172015	0	PIPE FITTING	
27	58173162	0	LIFT CONTROL VALVE	
27.1	58173518	0	HEAD	
27.2	58172011	0	S.A. VALVE	
27.3	58172489	0	COVER	
27.4	58172490	0	ROD	
27.5	F0843643060	0	WASHER 8	
27.6	31211080	0	NUT M8	
28	56172769	0	COMMAND LEVER	

SERIAL  
END

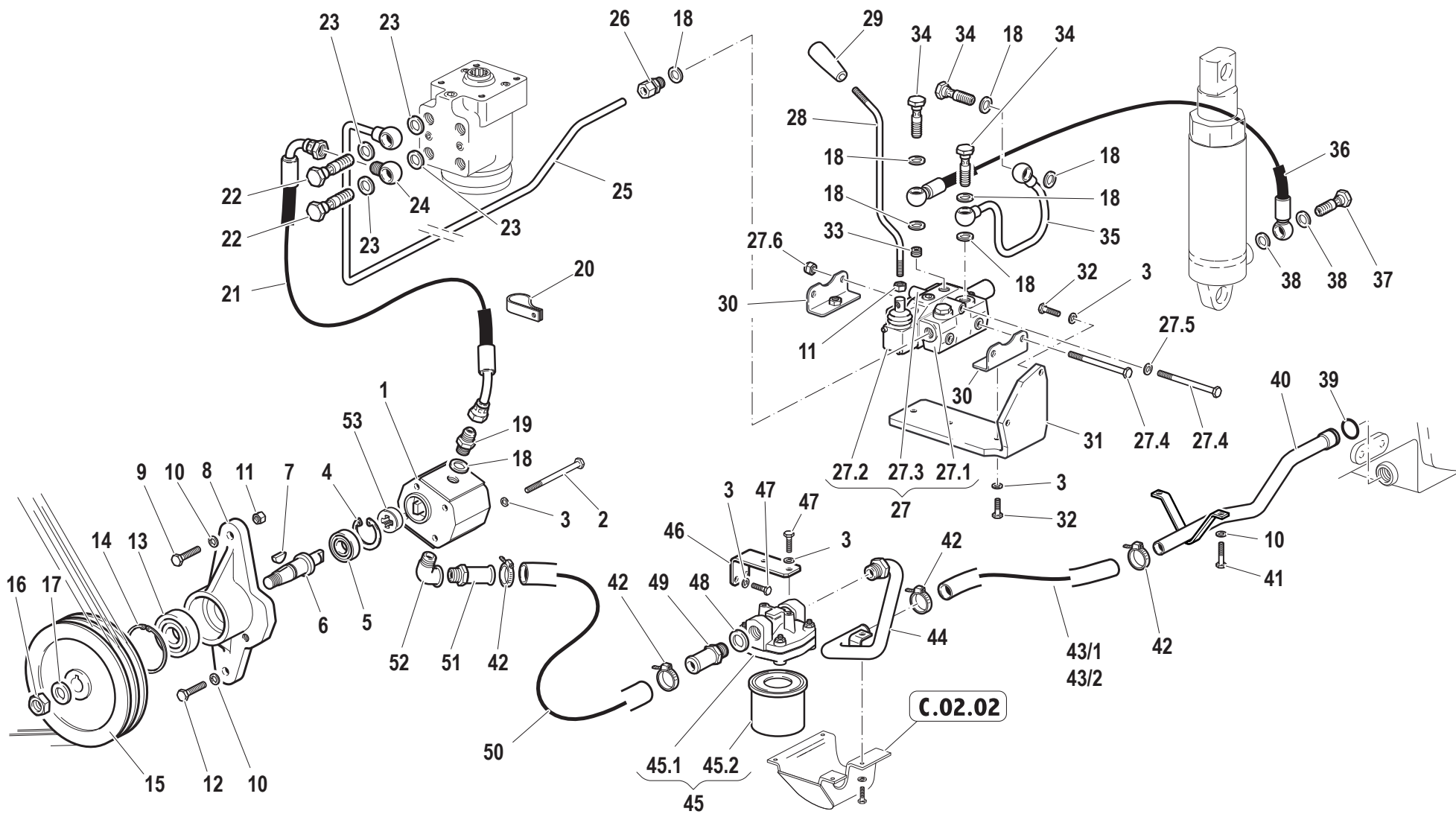
**900030**

**HYDRAULIC SYSTEM**

CODE REV

**G.02.01.L10001\_0**

HYDRAULIC SYSTEM



Pos.	Code	Q.ty	Description	Notes
29	F0837534010	0	GRIP	
30	59072057	0	FIXING BRACKET	
31	56173511	0	RETAINER	
32	31112150	0	SCREW TE M8X20 UNI 5739 8G	
33	58170769	0	VALVE	
34	F0843109020	0	PIPE FITTING	
35	59073320	0	EXHAUST	
36	58072135	0	FLEXIBLE HOSE	
37	F0843107000	0	PIPE FITTING GAS 1/4	
38	F0843907000	0	COPPER WASHER 13,66x19/1,5	
39	38112507	0	O-RING	
40	59074878	0	SUCTION PIPE	
41	F0863276000	0	SCREW M10X30 UNI5739	
42	F0817523010	0	CLAMP	
43/1	58173507	0	FLEXIBLE HOSE	
43/2	58173515	0	FLEXIBLE HOSE	
44	59072408	0	SUCTION PIPE	
45	58173337	0	FILTER	
45.1	F0825718010	0	HEAD	
45.2	58173642	0	FILTER INSERT	
46	56173496	0	FILTER SUPPORT	
47	31111151	0	SCREW TE M8X16 UNI 5739 8G	
48	F0824185000	0	COPPER WASHER 26X34X1,5	
49	56170350	0	PIPE FITTING	
50	58170352	0	FLEXIBLE HOSE	
51	56172917	0	PIPE FITTING	
52	F0840544000	0	ELBOW	
53	56477572	1	JOINT	

SERIAL  
END

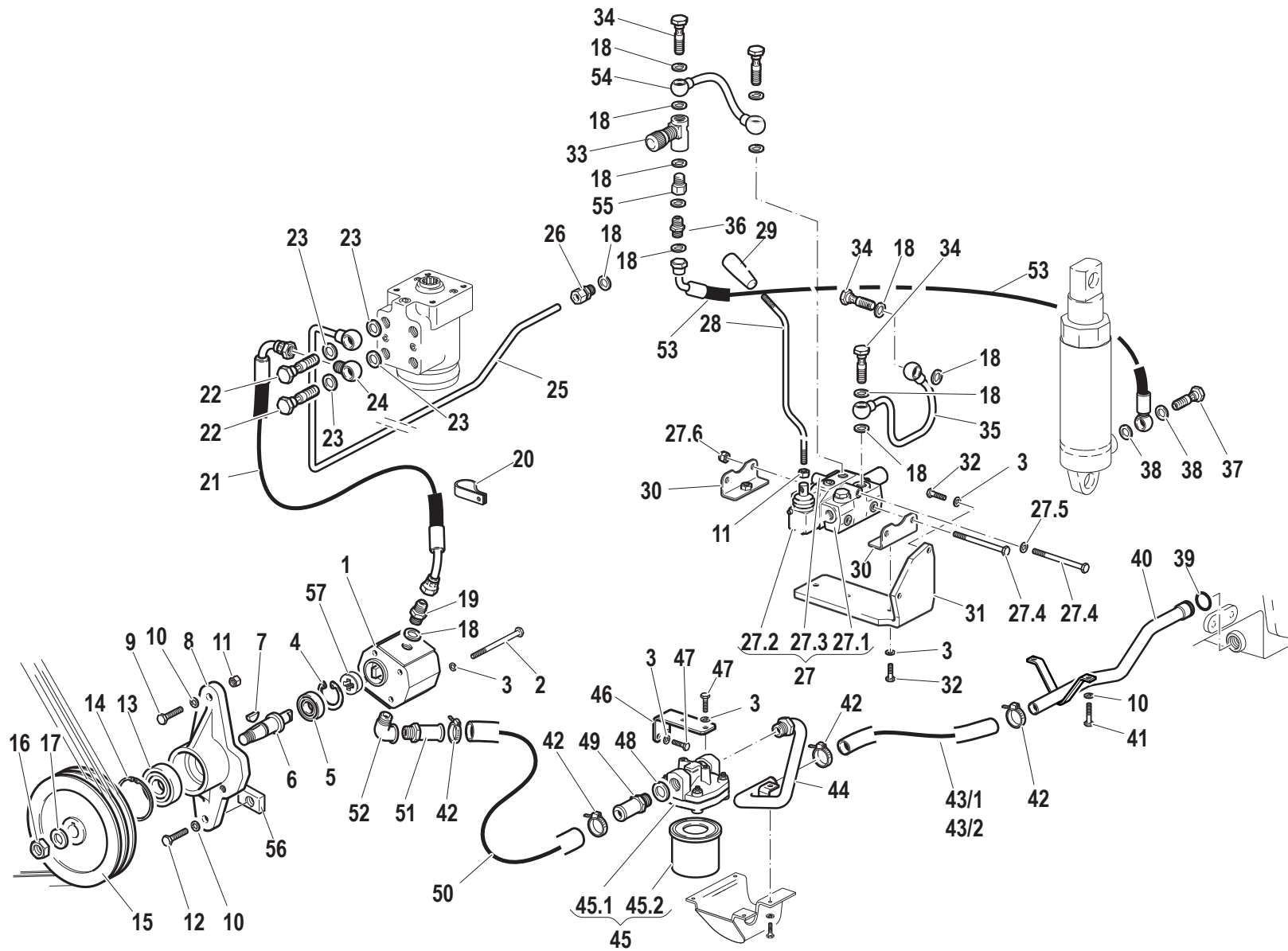
**900030**

**HYDRAULIC SYSTEM**

CODE REV

**G.02.01.L10001\_0**

# HYDRAULIC SYSTEM





Pos.	Code	Q.ty	Description	Notes
1	58172911	1	PUMP	
2	F0863079000	2	SCREW	
3	F0843643060	10	WASHER 8	
4	F0801127050	1	SEEGER RING	
5	F0812523050	1	BEARING 6201-2RS	
6	56372831	1	CONTROL SHAFT	
7	58172914	1	KEY	
8	51172830	1	SUPPORT	
9	F0863449000	1	SCREW	
10	F0843755000	4	WASHER 10	
11	31211100	2	NUT M10	
12	F0863359000	1	SCREW M10X40 UNI 5737	
13	37112172	1	BEARING	
14	35111047	1	SEEGER RING	
15	51172832	1	PULLEY	
16	F0814688010	1	NUT M12X1,5	
17	58172915	1	WASHER	
18	F0824110000	12	COPPER WASHER 3/8 GAS	
19	F0835024010	1	NIPPLE	
20	F0825416000	1	CLAMP	
21	58073147	1	FLEXIBLE HOSE	
22	F0843116000	2	PIPE FITTING 1/2	
23	F0824141000	4	COPPER WASHER 21x27/1,5	
24	F0842512000	1	PIPE FITTING	
25	59074089	1	PRESSURE PIPE	
26	58172015	1	PIPE FITTING	
27	58173162	1	LIFT CONTROL VALVE	
27.01.00	58173518	1	HEAD	
27.02.00	58172011	1	S.A. VALVE	
27.03.00	58172489	1	COVER	
27.04.00	58172490	3	ROD	
27.05.00	F0843643060	1	WASHER 8	
27.06.00	31211080	3	NUT M8	
28	56172769	1	COMMAND LEVER	

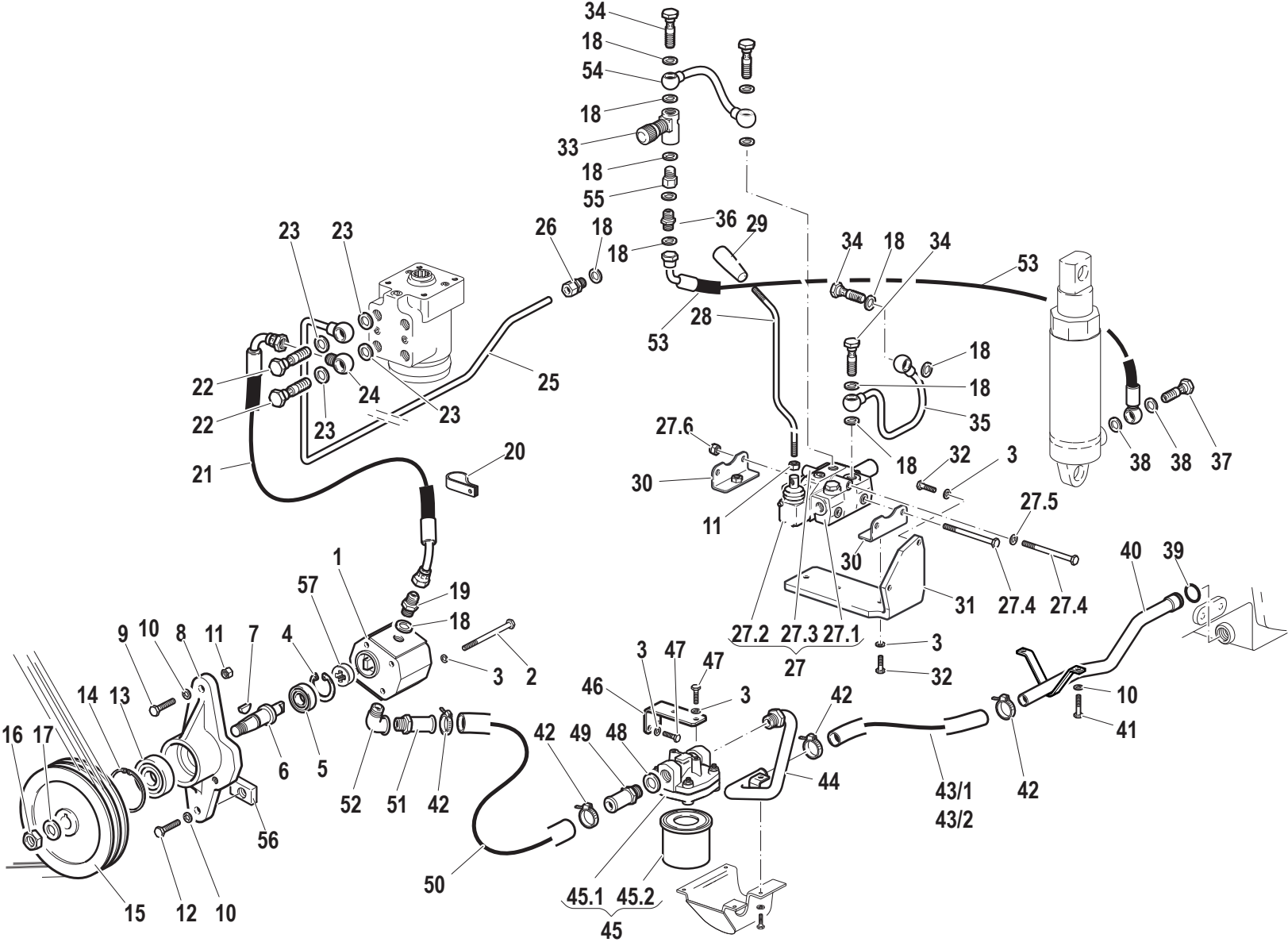
SERIAL  
START  
**900031**

**HYDRAULIC SYSTEM**

CODE REV

**G.02.01.L10001\_1**

# HYDRAULIC SYSTEM



Pos.	Code	Q.ty	Description	Notes
29	F0837534010	1	GRIP	
30	59072057	2	FIXING BRACKET	
31	56173511	1	RETAINER	
32	31112150	4	SCREW TE M8X20 UNI 5739 8G	
33	P241171000000	1	VALVE	
34	F0843109020	4	PIPE FITTING	
35	59073320	1	EXHAUST	
36	F0835023000	1	NIPPLE	
37	F0843107000	1	PIPE FITTING GAS 1/4	
38	F0843907000	2	COPPER WASHER 13,66x19/1,5	
39	38112507	1	O-RING	
40	59074878	1	SUCTION PIPE	
41	F0863276000	2	SCREW M10X30 UNI5739	
42	F0817523010	4	CLAMP	
43/1	58173507	1	FLEXIBLE HOSE	
43/2	58173515	1	FLEXIBLE HOSE	
44	59072408	1	SUCTION PIPE	
45	58173337	1	FILTER	
45/1	F0825718010	1	HEAD	
45/2	58173642	1	FILTER INSERT	
46	56173496	1	FILTER SUPPORT	
47	31111151	4	SCREW TE M8X16 UNI 5739 8G	
48	F0824185000	1	COPPER WASHER 26X34X1,5	
49	56170350	1	PIPE FITTING	
50	58170352	1	FLEXIBLE HOSE	
51	56172917	1	PIPE FITTING	
52	F0840544000	1	ELBOW	
53	58075373	1	FLEXIBLE HOSE	
54	59075386	1	PRESSURE PIPE	
55	30000200	1	EXTENSION	
56	56176373	1	LOCKING MECHANISM	
57	56477572	1	JOINT	

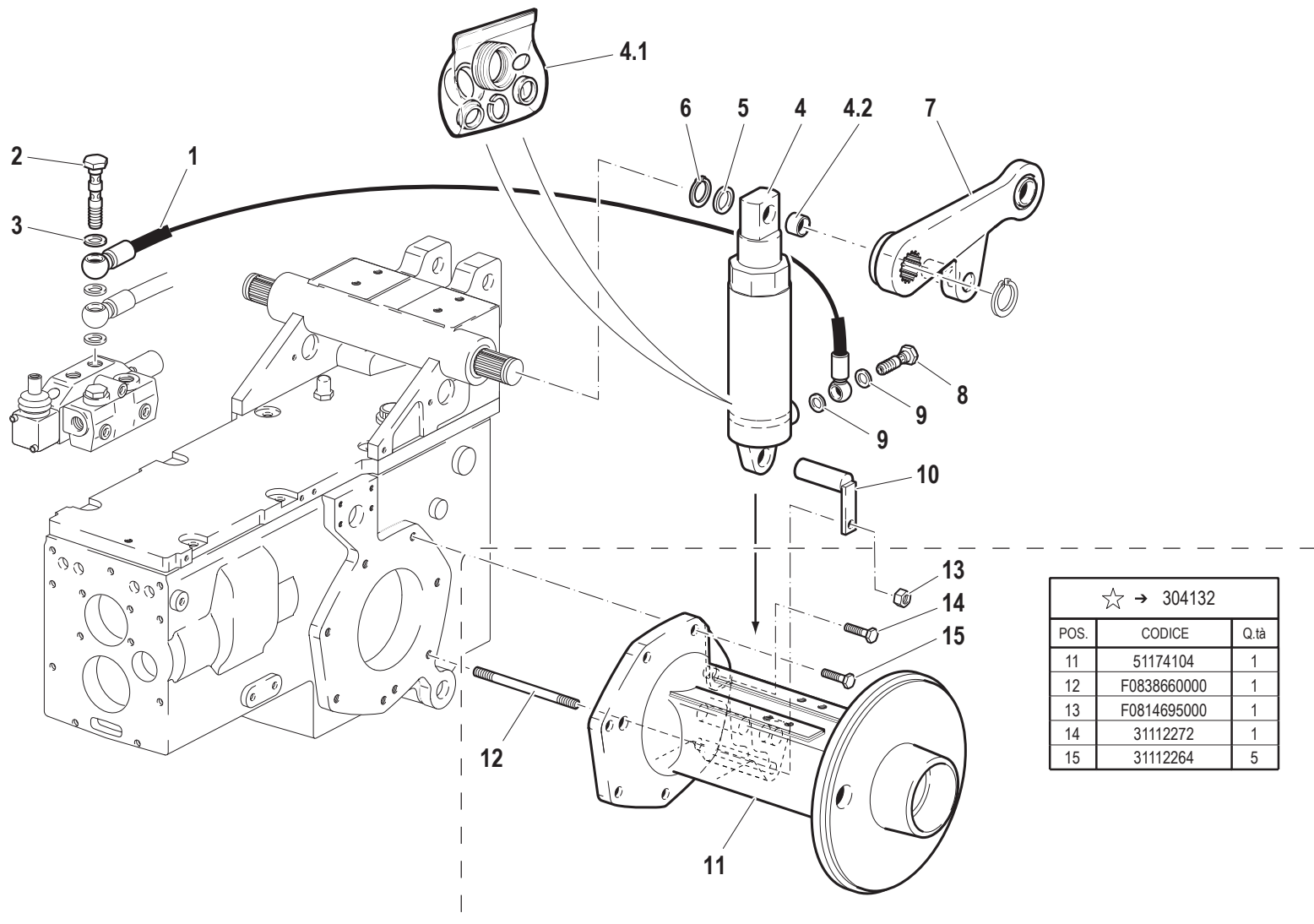
SERIAL  
START  
**900031**

**HYDRAULIC SYSTEM**

CODE REV

**G.02.01.L10001\_1**

## 2ND LIFTING HYDRAULIC JACK



POS.	CODICE	Q.tà
	☆ → 304132	
11	51174104	1
12	F0838660000	1
13	F0814695000	1
14	31112272	1
15	31112264	5

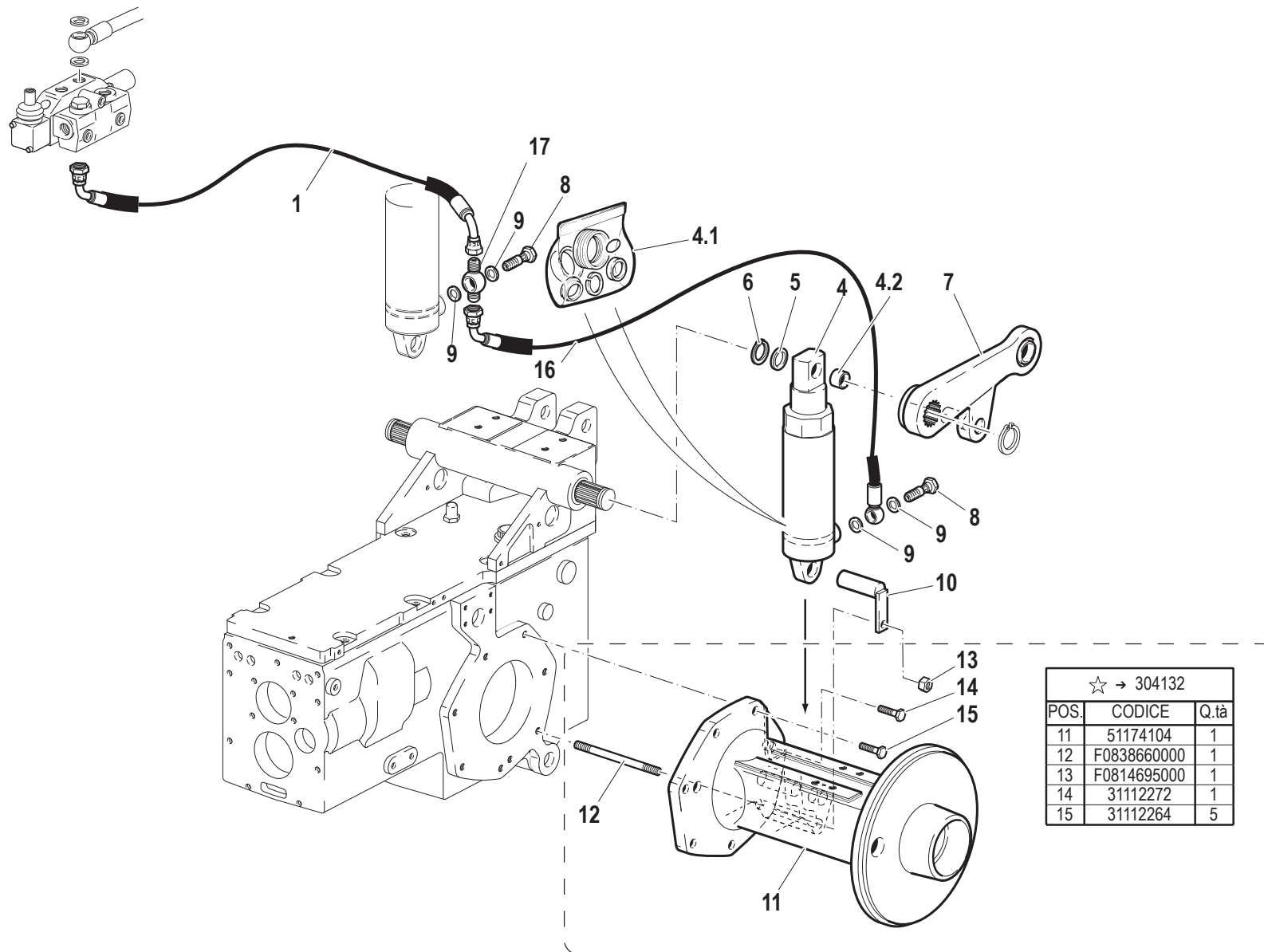
Pos.	Code	Q.ty	Description	Notes
1	58072136	1	FLEXIBLE HOSE	
2	58172589	1	THREADED TERMINAL END	
3	F0824110000	1	COPPER WASHER 3/8 GAS	
4	58071534	1	LIFTING CYLINDER	
4.1	59900181	1	GASKET SET	
4.2	59900180	1	BUSHING	
5	56172905	1	THRUST PLATE	
6	F0801149010	1	SEEGER RING	
7	59074105	1	LIFTING ARM	
8	F0843107000	1	PIPE FITTING GAS 1/4	
9	F0843907000	1	COPPER WASHER 13,66x19/1,5	
10	59072722	1	PIN	
11	51174104	1	REAR AXLE HOUSING	
12	F0838660000	1	STUD BOLT M12X105 UNI 5911-66	
13	F0814695000	1	NUT	
14	31112272	1	SCREW TE M12X30 UNI 5739	
15	31112264	1	SCREW TE M12X35 UNI 5739	

SERIAL  
END  
**900030**

**2ND LIFTING HYDRAULIC JACK**

CODE REV  
**G.03.01.L10001\_0**

## 2ND LIFTING HYDRAULIC JACK

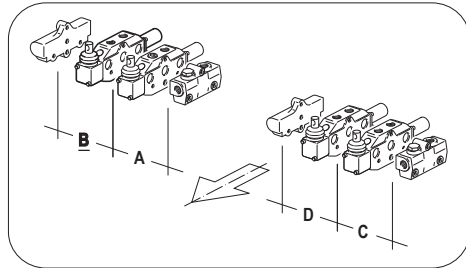


Pos.	Code	Q.ty	Description	Notes
1	58075372	1	FLEXIBLE HOSE	
4	58071534	1	LIFTING CYLINDER	
4.1	59900181	1	GASKET SET	
4.2	59900180	1	BUSHING	
5	56172905	1	THRUST PLATE	
6	F0801149010	1	SEEGER RING	
7	59074105	1	LIFTING ARM	
8	F0843107000	1	PIPE FITTING GAS 1/4	
9	F0843907000	1	COPPER WASHER 13,66x19/1,5	
10	59072722	1	PIN	
11	51174104	1	REAR AXLE HOUSING	
12	F0838660000	1	STUD BOLT M12X105 UNI 5911-66	
13	F0814695000	1	NUT	
14	31112272	1	SCREW TE M12X30 UNI 5739	
15	31112264	1	SCREW TE M12X35 UNI 5739	
16	58072269	1	FLEXIBLE HOSE	
17	F0842519050	1	PIPE FITTING	

SERIAL  
START  
**900031**

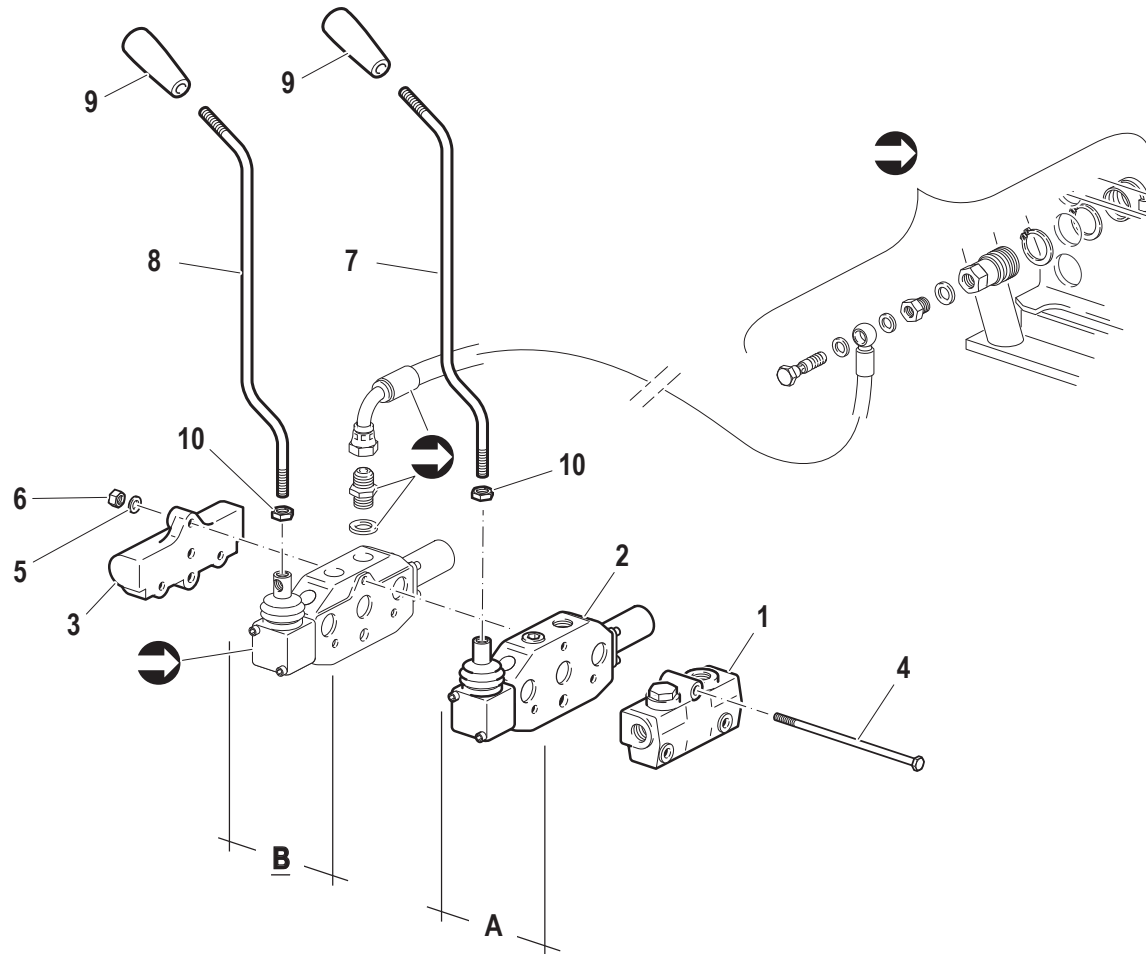
**2ND LIFTING HYDRAULIC JACK**

CODE REV  
**G.03.01.L10001\_1**



➔ - VEDI TAVOLA...  
- SEE TABLE...  
- VOIR TABLE...  
- SIEHE TAFEL...  
- MIRAR TABLA...

**I.01.01**





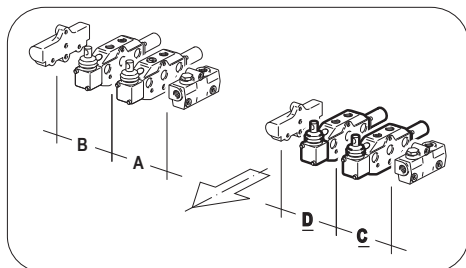
Pos.	Code	Q.ty	Description	Notes
1	58173518	0	HEAD	
2	58172011	0	S.A. VALVE	
3	58172489	0	COVER	
4	58172016	0	ROD	
5	F0843643060	0	WASHER 8	
6	31211080	0	NUT M8	
7	56172769	0	COMMAND LEVER	
8	56172770	0	COMMAND LEVER	
9	F0837534010	0	GRIP	
10	31211100	0	NUT M10	

SERIAL

ONE ADDITIONAL CONTROL VALVE FOR "AR"

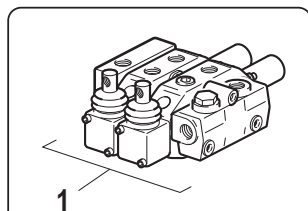
CODE REV

G.04.01.L10001\_0

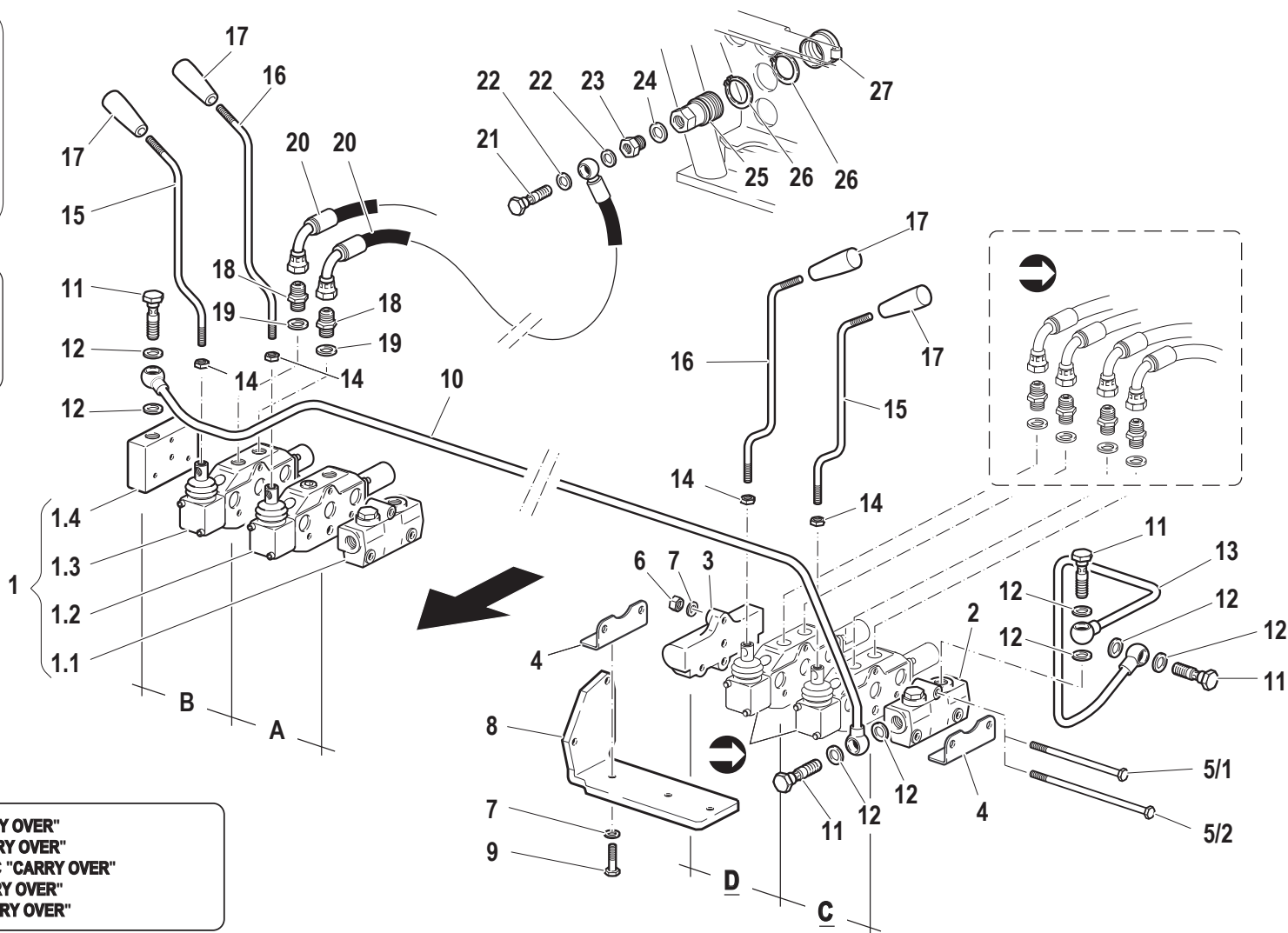


- VEDI TAVOLA...  
 - SEE TABLE...  
 - VOIR TABLE...  
 - SIEHE TAFEL...  
 - MIRAR TABLA...

**I.01.01**

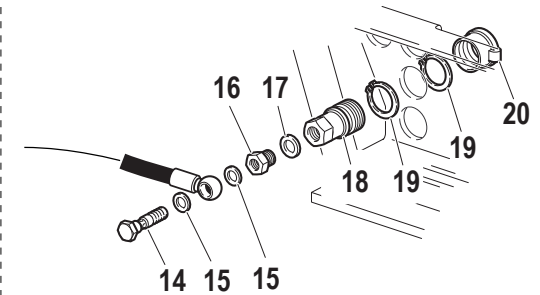
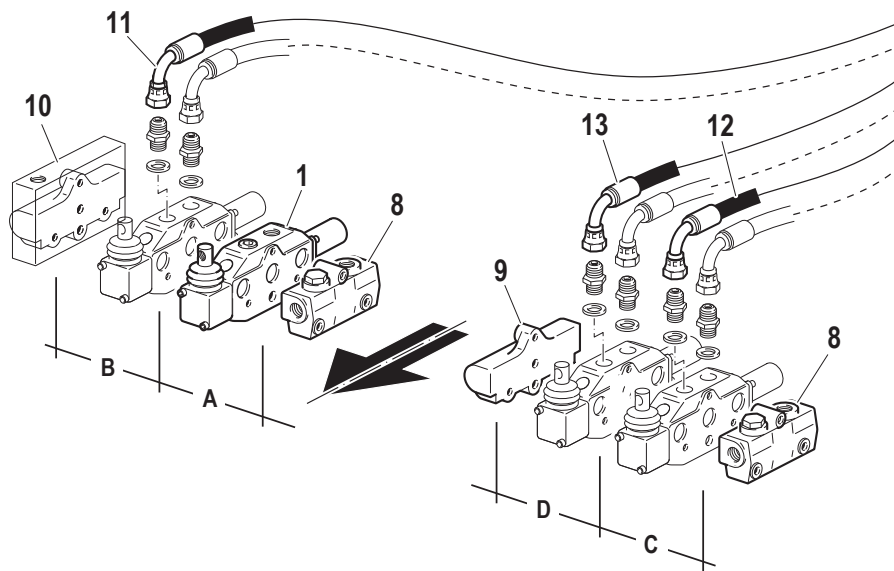
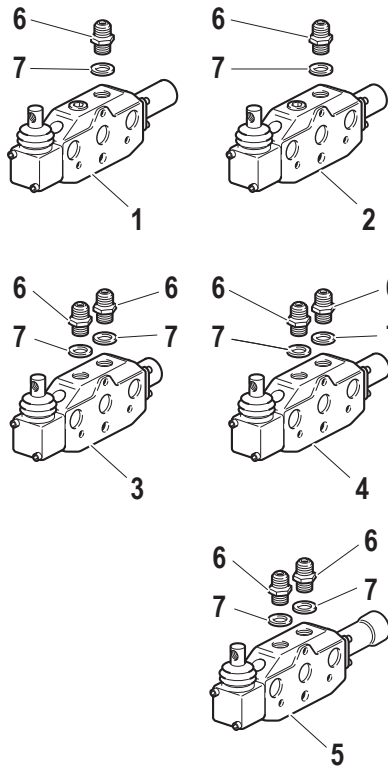


- GRUPPO DISTRIBUTORI CON "CARRY OVER"  
 - CONTROL VALVES UNIT WITH "CARRY OVER"  
 - GROUPE DES DISTRIBUTEURS AVEC "CARRY OVER"  
 - STEUERGERÄTEGRUPPE MIT "CARRY OVER"  
 - GRUPO DISTRIBUIDORES CON "CARRY OVER"

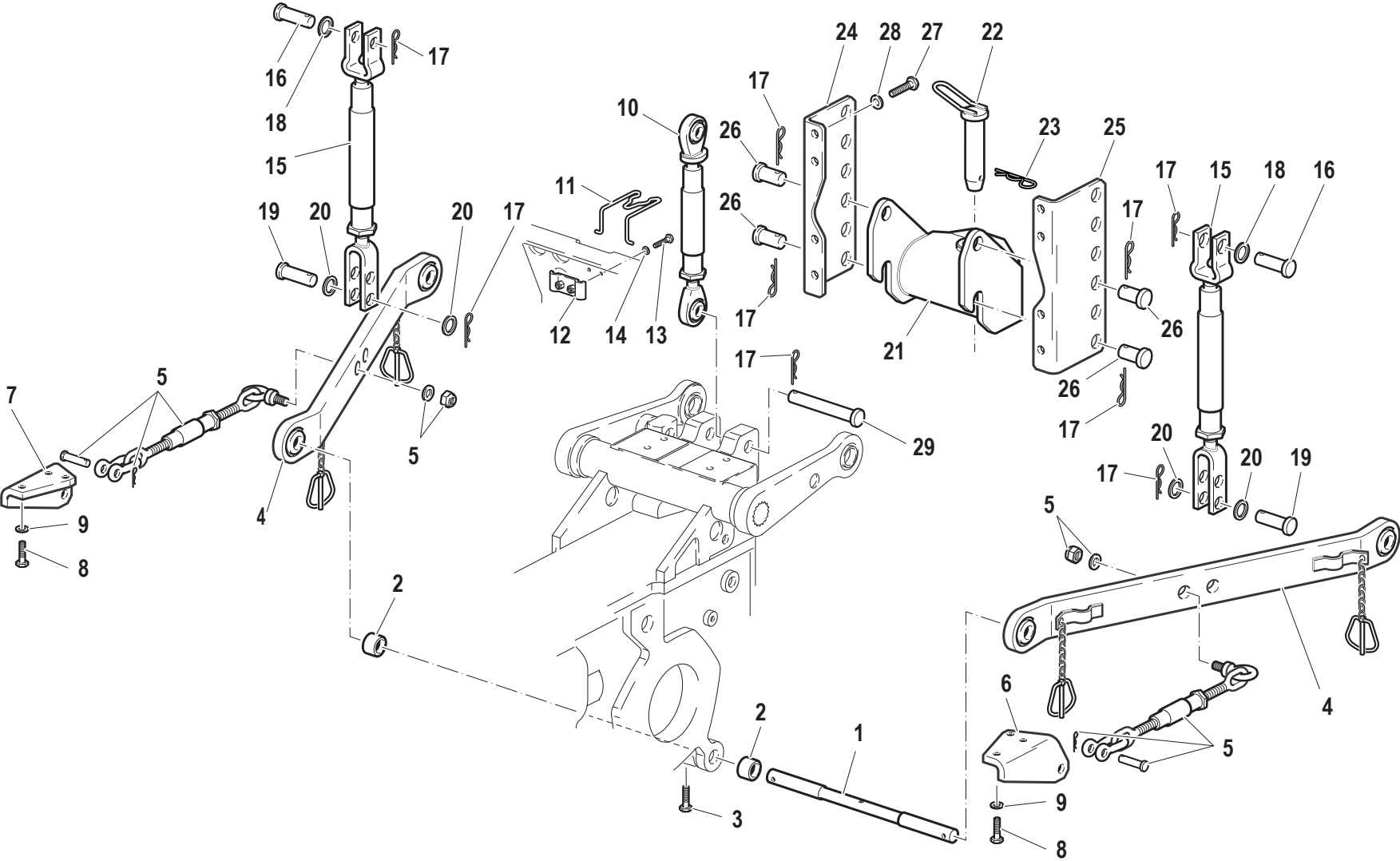


Pos.	Code	Q.ty	Description	Notes
1	58173519	0	UNIT	
1.1	58173518	0	HEAD	
1.2	58172011	0	S.A. VALVE	
1.3	58172012	0	D.A. VALVE	
1.4	58173361	0	COVER	
3	58172489	0	COVER	
4	59072057	0	FIXING BRACKET	
5/1	58172490	0	ROD	
5/2	58172016	0	ROD	
6	31211080	0	NUT M8	
7	F0843643060	0	WASHER 8	
8	56172750	0	RETAINER	
9	31112146	0	SCREW TE M8X22 UNI 5739 8G	
10	59072786	0	PIPE	
11	F0843109020	0	PIPE FITTING	
12	F0824110000	0	COPPER WASHER 3/8 GAS	
13	59072787	0	EXHAUST	
14	31211100	0	NUT M10	
15	56172770	0	COMMAND LEVER	
16	56172769	0	COMMAND LEVER	
17	F0837534010	0	GRIP	
18	F0835023000	0	NIPPLE	
19	F0824110000	0	COPPER WASHER 3/8 GAS	
20	58072138	0	FLEXIBLE HOSE	
21	F0843107000	0	PIPE FITTING GAS 1/4	
22	F0843907000	0	COPPER WASHER 13,66x19/1,5	
23	F0835040020	0	REDUCTION	
24	F0824141000	0	COPPER WASHER 21x27/1,5	
25	F0825980030	0	COUPLING	
26	F0801297000	0	RING	
27	F0852550010	0	GUARD	

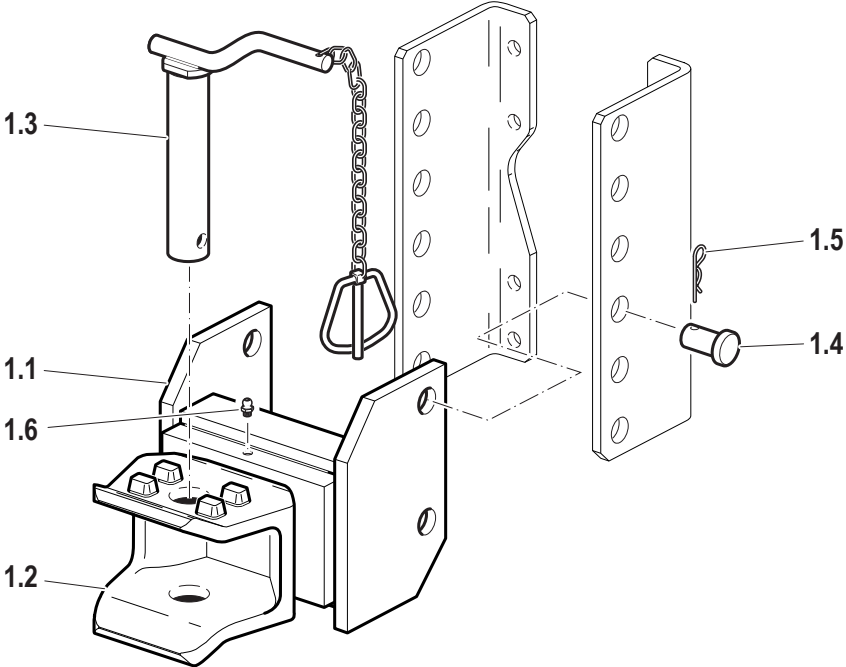
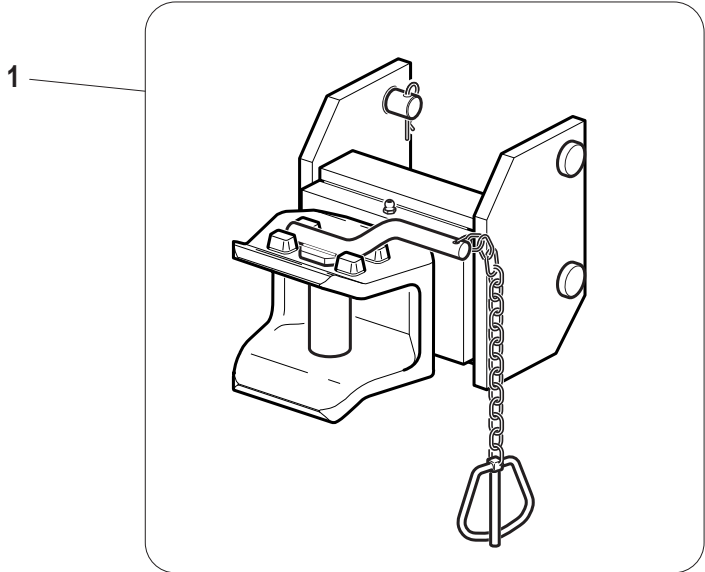
DISTRIBUTORI DISPONIBILI  
 AVAILABLE CONTROL VALVES  
 DISTRIBUTEURS DISPONIBLES  
 VERFÜGBAR STEUERGERÄTE  
 DISTRIBUIDORES DISPONIBLES



Pos.	Code	Q.ty	Description	Notes
1	58172011	1	S.A. VALVE	
2	58172707	1	S.A. VALVE	
3	58172012	1	D.A. VALVE	
4	58172013	1	D.A. VALVE	
5	58172014	1	D.A. VALVE	
6	F0835023000	8	NIPPLE	
7	F0824110000	8	COPPER WASHER 3/8 GAS	
8	58173518	2	HEAD	
9	58172489	1	COVER	
10	58173361	1	COVER	
11	58072138	1	FLEXIBLE HOSE	
12	58072795	1	FLEXIBLE HOSE	
13	58072796	1	FLEXIBLE HOSE	
14	F0843107000	1	PIPE FITTING GAS 1/4	
15	F0843907000	2	COPPER WASHER 13,66x19/1,5	
16	F0835040020	1	REDUCTION	
17	F0824141000	0	COPPER WASHER 21x27/1,5	
18	F0825980030	1	COUPLING	
19	F0801297000	2	RING	
20	F0852550010	0	GUARD	

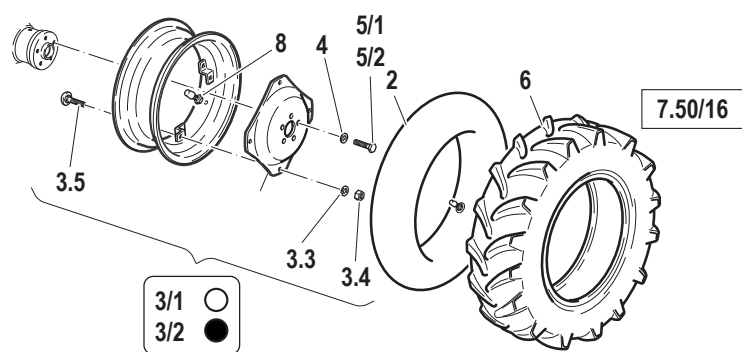
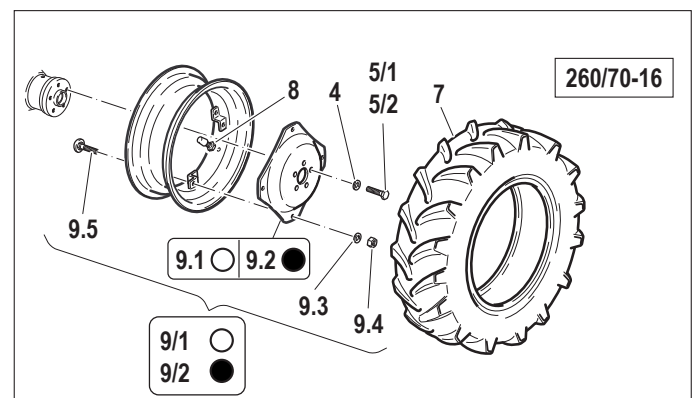
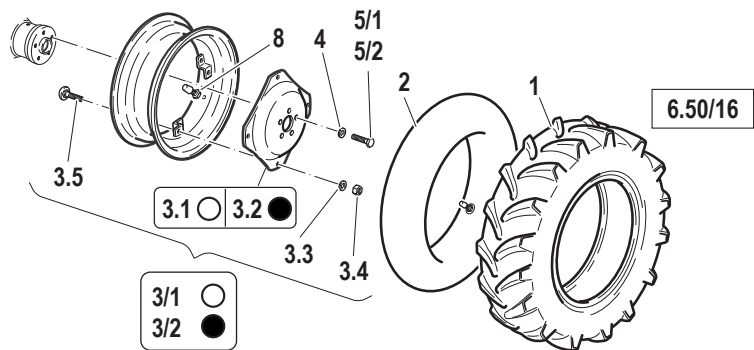


Pos.	Code	Q.ty	Description	Notes
1	56571824	1	PIN	
2	F0844283020	1	SPACER D.38x22/22	
3	F0862488000	1	SCREW	
4	59073491	1	BOTTOM LINK	
5	58071998	1	ROD	
6	56072919	1	SUPPORT	
7	56072918	1	SUPPORT	
8	31112211	1	SCREW TE M10X30 UNI 5739	
9	F0843755000	1	WASHER 10	
10	F0060031247	1	3-POINT HITCH	
11	58170449	1	RETAINING SPRING	
12	59070448	1	FIXING BRACKET	
13	31112150	1	SCREW TE M8X20 UNI 5739 8G	
14	F0843643060	1	WASHER 8	
15	58072922	1	ROD	
16	58072642	1	PIN	
17	F0851486000	1	SPLIT PIN	
18	F0844179010	1	WASHER 18	
19	56372925	1	PIN	
20	F0844065010	1	WASHER 16	
21	F0190031203	1	TOW HOOK	
22	F0808060100	1	LATCH D.28X117	
23	F0851497000	1	SPLIT PIN	
24	56171789	1	SUPPORT	
25	56171788	1	SUPPORT	
26	56372067	1	PIN	
27	31112272	1	SCREW TE M12X30 UNI 5739	
28	F0843843060	1	WASHER 12	
29	56371210	1	CONNECTING BOLT	



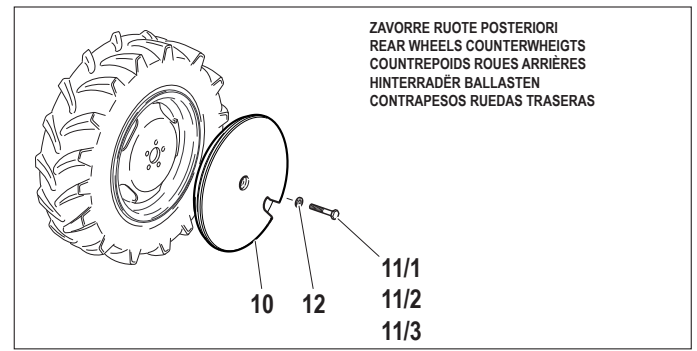


<b>Pos.</b>	<b>Code</b>	<b>Q.ty</b>	<b>Description</b>	<b>Notes</b>
1	59375017	1	TOW HOOK	
1.1	56075018	1	BODY	
1.2	51175011	1	CLEVIS	
1.3	59075012	1	PIN	
1.4	56377980	1	PIN	
1.5	F0851486000	1	SPLIT PIN	
1.6	F0826056000	1	LUBRICATOR M10 UNI 7663A	



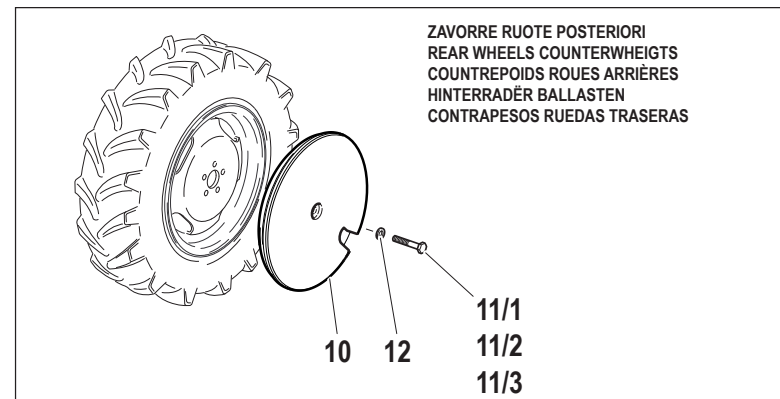
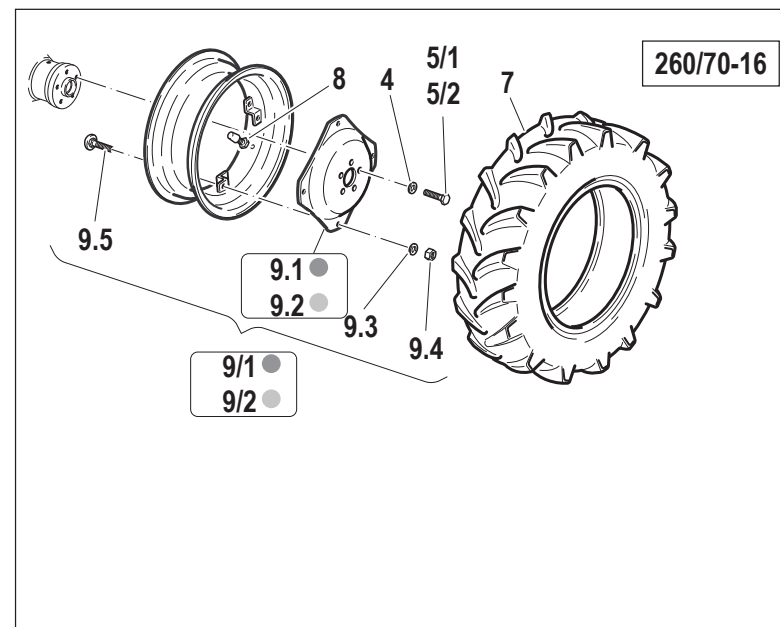
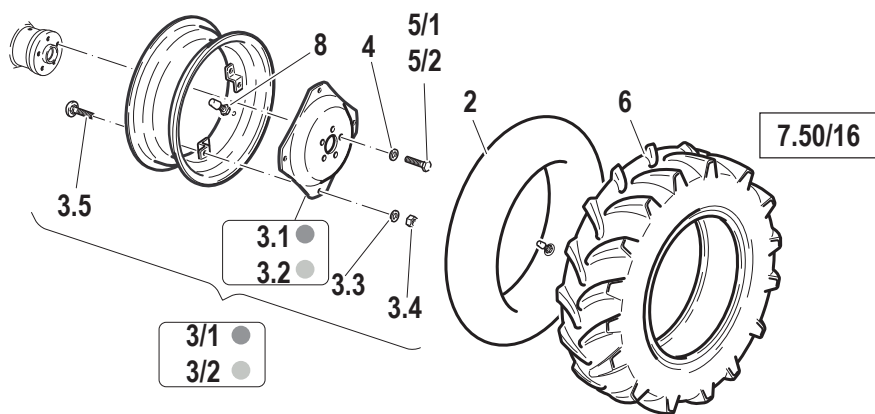
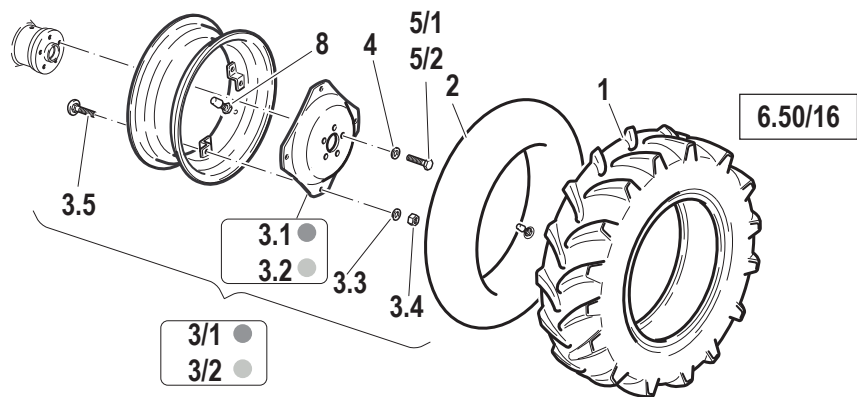
OK SOLO CON CARREGGIATE COMPRESSE 882+1026 (MM) INCLUSI GLI ESTREMI  
 OK ONLY WITH TRACK BETWEEN 882+1026 (MM) INCLUDING THOSE GIVEN  
 OK SEULEMENT AVEC CHAUSSEES ENTRE 882+1026 (MM) INCLUS CEUX-CI  
 OK NUR MIT 882+1026 (MM) SPURWEITE  
 OK SOLO CON CARRILLADA INCLUIDA ENTRE 882+1026 (MM) INCLUYENDO LOS MISMOS

- |   |  |   |   |
|---|--|---|---|
| ○ | COLORE GIALLO<br>YELLOW COLOUR<br>COULEUR JAUNE<br>GELBE FARBE<br>COLOR AMARILLO | ● | COLORE GRIGIO<br>GREY COLOUR<br>COULEUR GRISE<br>GRAU FARBE<br>COLOR GRIS |
|---|--|---|---|



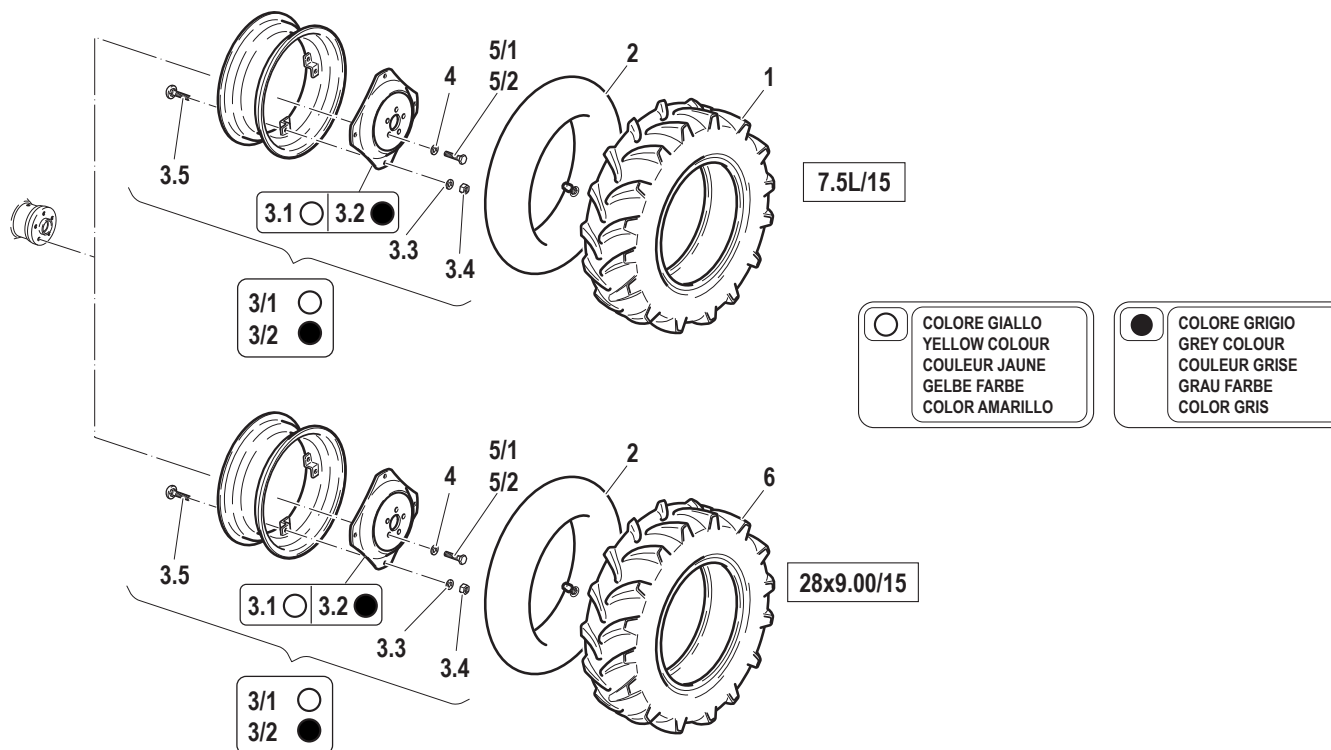
ZAVORRE RUOTE POSTERIORI  
 REAR WHEELS COUNTERWEIGHTS  
 COUTREPOIDS ROUES ARRIÈRES  
 HINTERRÄDER BALLASTEN  
 CONTRAPESOS RUEDAS TRASERAS

Pos.	Code	Q.ty	Description	Notes
1	F0848610000	1	TYRE 6.50-16 4PR	
2	F0848887000	1	INNER TUBE	
3/1	59273380	1	RIM	
3/2	59273941	1	RIM	
4	56573708	5	WASHER D.28x14,5/3,5	
5/1	F0864176000	5	SPECIAL SCREW TE M14x1,5/25	
5/2	F0864192000	5	SCREW TE M14x1,5/35	
6	F0848635000	1	TYRE	
7	F0848649000	1	TYRE 260/70R16	
8	F0150010905	1	VALVE	
9.1	58173358	1	DISC	
9/1	58174451	1	RIM	
9/2	58174453	1	RIM	
9.2	58173358	1	DISC	
9.3	31411150	4	WASHER 15x28	
9.4	F0814751000	4	NUT M14	
9.5	F0864200000	4	SCREW M14X35 UNI 5739	
10	51176070	1	BALLAST	
11/1	F0864364000	1	SCREW M16X60 UNI 5737	
11/2	31112446	1	SCREW TE M16X120UNI5737	
11/3	F0864403000	1	SCREW M16X150 UNI 5737	
12	F0844084000	1	WASHER D.35x17/4	



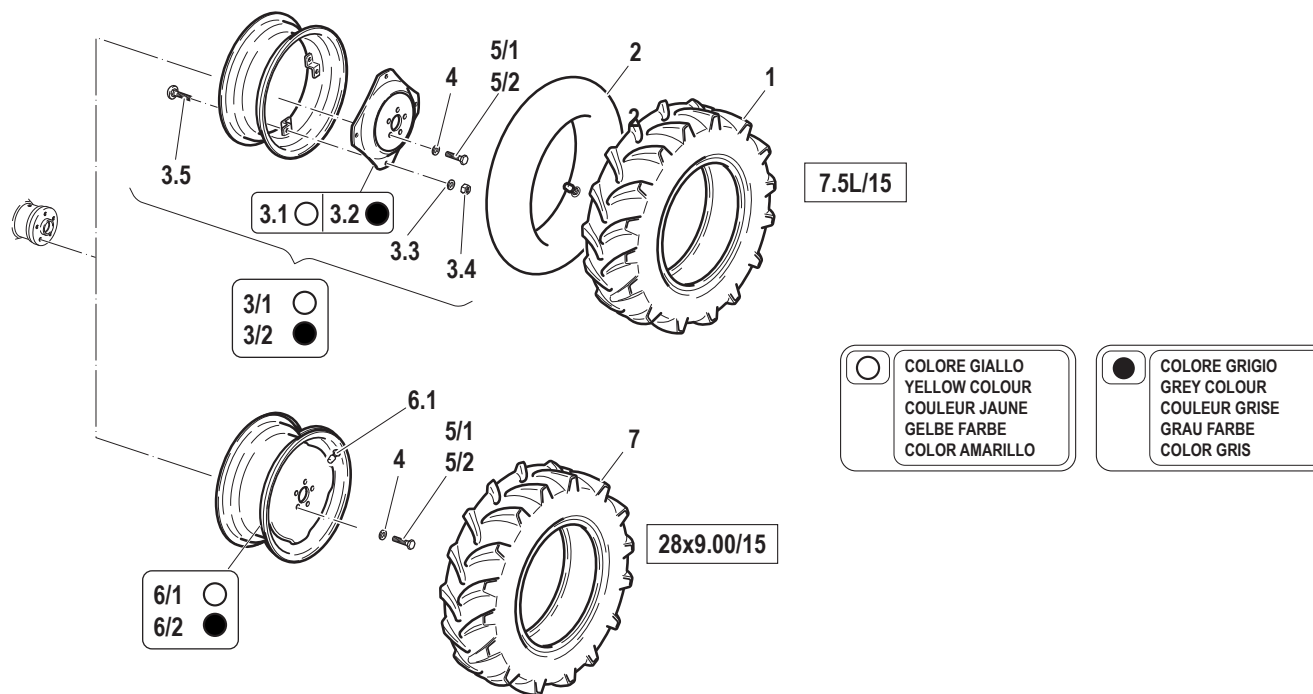
Pos.	Code	Q.ty	Description	Notes
1	F0848610000	1	TYRE 6.50-16 4PR	
2	F0848887000	1	INNER TUBE	
3/1	59273380	1	RIM	
3/2	59273941	1	RIM	
4	56573708	5	WASHER D.28x14,5/3,5	
5/1	F0864176000	5	SPECIAL SCREW TE M14x1,5/25	
5/2	F0864192000	5	SCREW TE M14x1,5/35	
6	F0848635000	1	TYRE	
7	F0848649000	1	TYRE 260/70R16	
8	F0150010905	1	VALVE	
9.1	58173358	1	DISC	
9/1	58174451	1	RIM	
9/2	58174453	1	RIM	
9.2	58173358	1	DISC	
9.3	31411150	4	WASHER 15x28	
9.4	F0814751000	4	NUT M14	
9.5	F0864200000	4	SCREW M14X35 UNI 5739	
10	51176070	1	BALLAST	
11/1	F0864364000	1	SCREW M16X60 UNI 5737	
11/2	31112446	1	SCREW TE M16X120UNI5737	
11/3	F0864403000	1	SCREW M16X150 UNI 5737	
12	F0844084000	1	WASHER D.35x17/4	

QUESTE VARIANTI NON SONO COMPATIBILI CON LE ZAVORRE RUOTE POSTERIORI  
 THESE VERSIONS ARE INCOMPATIBLE WITH THE REAR WHEELS COUNTERWEIGHTS  
 CES VARIANTES SONT INCOMPATIBLES AVEC LES COUNTERPOIDS ROUES ARRIÈRES  
 DIESE VARIANTEN SIND MIT DEN HINTERRADÉR BALLASTEN UNVEREINBAR  
 ESTAS VARIANTES SON INCOMPATIBLES CON LOS CONTRAPESOS RUEDAS ANTERIORAS



Pos.	Code	Q.ty	Description	Notes
1	F0848629000	1	TYRE 7.5L15 8PR	
2	F0848843050	1	INNER TUBE	
3/1	58172756	1	RIM	
3.1	58173358	1	DISC	
3/2	58173942	1	RIM	
3.2	58175971	1	DISC	
3.3	31411150	4	WASHER 15x28	
3.4	F0814751000	4	NUT M14	
3.5	F0864200000	4	SCREW M14X35 UNI 5739	
4	56573708	5	WASHER D.28x14,5/3,5	
5/1	F0864176000	5	SPECIAL SCREW TE M14x1,5/25	
5/2	F0864192000	5	SCREW TE M14x1,5/35	
6	F0150010910	1	WHEEL 28X9.0-15/8 TLB3	

QUESTE VARIANTI NON SONO COMPATIBILI CON LE ZAVORRE RUOTE POSTERIORI  
 THESE VERSIONS ARE INCOMPATIBLE WITH THE REAR WHEELS COUNTERWEIGHTS  
 CES VARIANTES SONT INCOMPATIBLES AVEC LES COUNTREPOIDS ROUES ARRIÈRES  
 DIESE VARIANTEN SIND MIT DEN HINTERRADËR BALLASTEN UNVEREINBAR  
 ESTAS VARIANTES SON INCOMPATIBLES CON LOS CONTRAPESOS RUEDAS ANTERIORAS





Pos.	Code	Q.ty	Description	Notes
1	F0848629000	1	TYRE 7.5L15 8PR	
2	39416021	1	INNER TUBE	
3.1	58173358	1	DISC	
3/1	58178910	1	RIM	
3.2	58175971	1	DISC	
3/2	58178909	1	RIM	
3.3	31411150	4	WASHER 15x28	
3.4	F0814751000	4	NUT M14	
3.5	F0864200000	4	SCREW M14X35 UNI 5739	
4	56573708	5	WASHER D.28x14,5/3,5	
5/1	F0864176000	5	SPECIAL SCREW TE M14x1,5/25	
5/2	F0864192000	5	SCREW TE M14x1,5/35	
6.1	F0150010905	1	VALVE	
6/1	58176203	1	RIM	
6/2	58176204	1	RIM	
7	F0150010910	1	WHEEL 28X9.0-15/8 TLB3	

# SPARE PARTS INSTANCE INDEX





## SPARE PARTS INSTANCE INDEX

Code	Parts Table	Pos.	Q.ty	Code	Parts Table	Pos.	Q.ty	Code	Parts Table	Pos.	Q.ty
30000007	C.02.01.L10001_1	9	2	31112089	E.01.01.L10001_0	11	1	31112153	B.02.01.L10001_4	5	4
30000200	G.02.01.L10001_1	55	1	31112090	A.03.01.L10001_0	6	1	31112154	G.01.01.L10001_0	15	1
30000506	E.02.01.L10001_0	20	0		B.05.01.L10001_0	7	1	31112210	A.05.01.L10001_0	14	1
	E.02.01.L10001_1	20	1		B.07.01.L10001_0	3	1		A.05.01.L10001_1	14	1
30000514	B.02.01.L10001_0	32	0		C.02.01.L10001_0	45	0		B.02.01.L10001_0	13	0
	B.02.01.L10001_1	39	0		C.02.01.L10001_1	45	1		B.02.01.L10001_1	21	0
	B.02.01.L10001_2	46	1		D.02.01.L10001_0	13	1		B.02.01.L10001_2	21	2
	B.02.01.L10001_3	46	1		D.02.01.L10001_1	13	1		B.02.01.L10001_3	21	2
	B.02.01.L10001_4	46	1	31112093	D.09.01.L10001_0	9	1		B.02.01.L10001_4	21	2
30000614	B.05.01.L10001_0	17	1	31112146	G.05.01.L10001_0	9	0	31112211	B.02.01.L10001_1	22	0
30040005	G.01.01.L10001_0	17	1	31112147	A.01.01.L10001_0	10	1		B.02.01.L10001_2	22	2
31111090	C.01.01.L10001_0	14	1		A.05.01.L10001_0	13	1		B.02.01.L10001_3	22	2
31111091	D.02.01.L10001_0	3	1		A.05.01.L10001_1	13	1		B.02.01.L10001_4	22	2
	D.02.01.L10001_1	3	1	31112148	A.01.01.L10001_0	5	1		C.01.01.L10001_0	3	0
31111097	A.04.01.L10001_0	9	1		A.02.01.L10001_0	17	0		C.02.01.L10001_0	6	0
31111151	B.02.01.L10001_0	25	0		B.02.01.L10001_0	20	0		C.02.01.L10001_1	6	4
	B.02.01.L10001_1	32	0		B.02.01.L10001_1	26	0		L.01.01.L10001_0	8	1
	B.02.01.L10001_2	32	2		B.02.01.L10001_2	26	6	31112212	D.07.01.L10001_1	29	2
	B.02.01.L10001_3	32	2		B.02.01.L10001_3	26	6	31112214	C.01.01.L10001_0	2	0
	B.06.03.L10001_0	10	5		B.02.01.L10001_4	26	6		F.01.01.L10001_0	5	0
	C.02.01.L10001_0	18	0	31112150	A.02.01.L10001_0	5	0	31112219	A.01.01.L10001_0	3	1
	C.02.01.L10001_1	18	1		D.11.01.L10001_0	3	1		B.02.01.L10001_0	14	0
	D.09.01.L10001_0	19	1		G.02.01.L10001_0	32	0		B.02.01.L10001_0	37	0
	D.09.01.L10001_0	28	1		G.02.01.L10001_1	32	4		B.02.01.L10001_1	30	0
	G.02.01.L10001_0	47	0		L.01.01.L10001_0	13	1		B.02.01.L10001_1	44	0
	G.02.01.L10001_1	47	4	31112151	B.02.01.L10001_2	40	4		B.02.01.L10001_2	30	4
31112082	A.04.01.L10001_0	10	1		B.02.01.L10001_3	40	4		B.02.01.L10001_2	44	2
	C.02.01.L10001_0	35	0		B.02.01.L10001_4	40	8		B.02.01.L10001_3	30	4
	C.02.01.L10001_1	35	7		D.02.01.L10001_1	28	2		B.02.01.L10001_3	44	2
31112087	B.02.01.L10001_1	15	0		D.04.01.L10001_0	30	1		B.02.01.L10001_4	30	4
	B.02.01.L10001_2	15	2	31112153	B.02.01.L10001_0	5	0		B.02.01.L10001_4	44	2
	B.02.01.L10001_3	15	2		B.02.01.L10001_1	5	0		C.03.01.L10001_0	11	1
	B.02.01.L10001_4	15	2		B.02.01.L10001_2	5	4		F.01.01.L10001_0	3	0
	E.01.01.L10001_1	13	0		B.02.01.L10001_3	5	4		G.01.01.L10001_0	4	1

## SPARE PARTS INSTANCE INDEX

Code	Parts Table	Pos.	Q.ty	Code	Parts Table	Pos.	Q.ty	Code	Parts Table	Pos.	Q.ty
31112224	A.05.01.L10001_0	10	1	31152101	C.01.01.L10001_0	4	0	31411064	E.01.01.L10001_1	14	0
	A.05.01.L10001_1	10	1	31211050	E.02.01.L10001_0	10	1	31411066	E.01.01.L10001_0	12	1
31112254	B.02.01.L10001_0	27	0		E.02.01.L10001_1	10	1	31411084	B.02.01.L10001_0	6	0
	B.02.01.L10001_1	34	0	31211060	A.03.01.L10001_0	9	2		B.02.01.L10001_1	6	0
31112264	B.02.01.L10001_2	49	4		B.02.01.L10001_1	14	0		B.02.01.L10001_2	6	6
	B.02.01.L10001_3	49	4		B.02.01.L10001_2	14	6		B.02.01.L10001_3	6	6
	B.02.01.L10001_4	49	4		B.02.01.L10001_3	14	6		B.02.01.L10001_4	6	10
	C.01.01.L10001_0	12	0		B.02.01.L10001_4	14	6		B.05.01.L10001_0	5	1
	C.03.01.L10001_0	9	1		B.05.01.L10001_0	10	1		B.06.01.L10001_0	4	1
	G.03.01.L10001_0	15	1		E.01.01.L10001_0	14	1		D.04.01.L10001_0	10	1
	G.03.01.L10001_1	15	1		E.01.01.L10001_1	16	0	31411104	D.09.01.L10001_0	4	1
31112271	B.02.01.L10001_0	4	0	31211080	A.01.01.L10001_0	13	1	31411105	A.01.01.L10001_0	4	1
	B.02.01.L10001_1	4	0		A.03.01.L10001_0	3	2		D.02.01.L10001_0	20	1
31112272	B.01.01.L10001_0	16			G.02.01.L10001_0	27.6	0		D.02.01.L10001_1	20	1
	B.01.01.L10001_1	16	0		G.02.01.L10001_1	27.06.00	3		D.04.01.L10001_0	21	1
	B.02.01.L10001_2	38	8		G.04.01.L10001_0	6	0	31411130	B.01.01.L10001_0	18	
	B.02.01.L10001_3	38	8		G.05.01.L10001_0	6	0		B.01.01.L10001_1	18	0
	B.02.01.L10001_4	38	8	31211100	G.02.01.L10001_0	11	0	31411150	D.04.01.L10001_0	28	1
	C.03.01.L10001_0	8	1		G.02.01.L10001_1	11	2		M.01.01.L10001_0	9.3	4
	G.03.01.L10001_0	14	1		G.04.01.L10001_0	10	0		M.01.01.L10001_1	9.3	4
	G.03.01.L10001_1	14	1		G.05.01.L10001_0	14	0		M.02.01.L10001_0	3.3	4
	L.01.01.L10001_0	27	1	31231080	A.02.01.L10001_0	9	0		M.02.01.L10001_1	3.3	4
31112293	B.02.01.L10001_0	29	0	31241080	A.05.01.L10001_0	7	1	31424064	B.02.01.L10001_1	16	0
	B.02.01.L10001_1	36	0		A.05.01.L10001_1	7	1		B.02.01.L10001_2	16	2
31112446	M.01.01.L10001_0	11/2	1	31241100	B.02.01.L10001_0	38	0		B.02.01.L10001_3	16	2
	M.01.01.L10001_1	11/2	1	31241140	B.02.01.L10001_2	37	2		B.02.01.L10001_4	16	2
31121560	B.02.01.L10001_1	11	0		B.02.01.L10001_3	37	2		E.01.01.L10001_0	13	1
	B.02.01.L10001_2	11	4		B.02.01.L10001_4	37	2	31510053	B.05.01.L10001_0	3	1
	B.02.01.L10001_3	11	4	31411064	B.02.01.L10001_1	13	0	34110031	D.07.01.L10001_1	32	1
	B.02.01.L10001_4	11	4		B.02.01.L10001_2	13	6	34211030	D.09.01.L10001_0	3	1
31132562	A.02.01.L10001_0	2	0		B.02.01.L10001_3	13	6	34211054	D.11.01.L10001_0	5	1
	C.02.01.L10001_0	40	0		B.02.01.L10001_4	13	6	35111047	G.02.01.L10001_0	14	0
	C.02.01.L10001_1	40	4		B.05.01.L10001_0	9	1		G.02.01.L10001_1	14	1
31132566	A.02.01.L10001_0	6	0		D.09.01.L10001_0	10	1	35111052	C.02.01.L10001_0	27	0



## SPARE PARTS INSTANCE INDEX

Code	Parts Table	Pos.	Q.ty	Code	Parts Table	Pos.	Q.ty	Code	Parts Table	Pos.	Q.ty
35111052	C.02.01.L10001_1	27	4	50972173	D.04.01.L10001_0	23	1	51372697	D.09.01.L10001_0	34	1
35111063	D.01.01.L10001_0	11	0	50973529	D.06.01.L10001_0	12	0	51374866	D.01.01.L10001_0	20	0
35111080	D.01.01.L10001_0	26	0	50974039	D.02.01.L10001_0	18	1	51374867	D.08.01.L10001_0	10	1
	D.08.01.L10001_0	16	1		D.02.01.L10001_1	18	1	52172158	C.02.01.L10001_0	11	0
35121014	D.07.01.L10001_0	26	0	51171641	G.01.01.L10001_0	1	1		C.02.01.L10001_1	11	1
	D.07.01.L10001_1	26	1	51172684	D.07.01.L10001_0	7	0	52172159	C.02.01.L10001_0	11	0
	D.09.01.L10001_0	26	1		D.07.01.L10001_1	7	1		C.02.01.L10001_1	11	1
35121025	C.02.01.L10001_0	26	0	51172716	D.03.01.L10001_0	1	0	52172160	C.02.01.L10001_0	11	0
	C.02.01.L10001_1	26	2	51172830	G.02.01.L10001_0	8	0		C.02.01.L10001_1	11	1
35121028	D.03.01.L10001_0	7	0		G.02.01.L10001_1	8	1	52172161	C.02.01.L10001_0	11	0
35121030	D.10.01.L10001_0	4	1	51172832	G.02.01.L10001_0	15	0		C.02.01.L10001_1	11	1
35211060	B.01.01.L10001_0	11			G.02.01.L10001_1	15	1	52172162	C.02.01.L10001_0	11	0
	B.01.01.L10001_1	11	0	51172965	B.01.01.L10001_0	12			C.02.01.L10001_1	11	1
37111255	C.02.01.L10001_0	33	0		B.01.01.L10001_1	12	0	52371679	D.11.01.L10001_0	10	1
	C.02.01.L10001_1	33	1	51172967	C.01.01.L10001_0	1	0	52372863	C.02.01.L10001_0	7	0
37111303	D.10.01.L10001_0	9	1	51173545	C.03.01.L10001_0	1	1	52373346	D.03.01.L10001_0	6	0
37111404	D.01.01.L10001_0	27	0	51173547	C.03.01.L10001_0	5	1	52379809	C.02.01.L10001_1	7	2
	D.08.01.L10001_0	15	1	51174042	C.02.01.L10001_0	16	0	52471509	D.01.01.L10001_0	19	0
37112172	G.02.01.L10001_0	13	0	51174104	C.03.01.L10001_0	4	1		D.08.01.L10001_0	5	1
	G.02.01.L10001_1	13	1		G.03.01.L10001_0	11	1	52471513	D.01.01.L10001_0	15	0
37112249	C.02.01.L10001_0	28	0		G.03.01.L10001_1	11	1	52471516	D.01.01.L10001_0	16	0
	C.02.01.L10001_1	28	1	51175011	L.02.01.L10001_0	1.2	1	52472430	D.11.01.L10001_0	11	1
37221300	D.01.01.L10001_0	10	0	51176022	D.10.01.L10001_0	10	1	52472646	D.05.01.L10001_0	4	0
37320155	D.05.01.L10001_0	8	0	51176070	M.01.01.L10001_0	10	1	52472651	D.05.01.L10001_0	6	0
38104412	C.02.01.L10001_0	22	0		M.01.01.L10001_1	10	1	52472654	D.05.01.L10001_0	7	0
	C.02.01.L10001_1	22	4	51179815	C.02.01.L10001_1	16	1	52472657	D.06.01.L10001_0	16	0
38110913	D.09.01.L10001_0	20	1	51272728	D.07.01.L10001_0	17	0	52472659	D.05.01.L10001_0	16	0
38112200	D.11.01.L10001_0	9	1		D.07.01.L10001_1	17	1	52472700	D.08.01.L10001_0	4	1
38112507	G.02.01.L10001_0	39	0	51272729	D.07.01.L10001_0	18	0	52472701	D.08.01.L10001_0	3	1
	G.02.01.L10001_1	39	1		D.07.01.L10001_1	18	1	52472711	D.08.01.L10001_0	18	1
38112670	D.01.01.L10001_0	6	0	51272730	D.07.01.L10001_0	19	0	52472712	D.08.01.L10001_0	19	1
38212003	D.06.01.L10001_0	1	0		D.07.01.L10001_1	19	1	52472852	D.06.01.L10001_0	21	0
39416021	M.02.01.L10001_1	2	1	51273377	C.01.01.L10001_0	11	0	52472928	D.06.01.L10001_0	8	0
41N40003	A.01.01.L10001_0	1	1	51273378	C.01.01.L10001_0	10	0	52472933	D.10.01.L10001_0	2	1



## SPARE PARTS INSTANCE INDEX

Code	Parts Table	Pos.	Q.ty	Code	Parts Table	Pos.	Q.ty	Code	Parts Table	Pos.	Q.ty
52473449	C.02.01.L10001_0	25	0	56073094	D.04.01.L10001_0	25	1	56171938	E.02.01.L10001_1	18	1
	C.02.01.L10001_1	25	1	56073438	B.02.01.L10001_0	19	0	56171967	F.01.01.L10001_0	6	0
52473521	D.10.01.L10001_0	14	1		B.02.01.L10001_1	25	0	56172009	D.09.01.L10001_0	7	1
52474123	D.10.01.L10001_0	6	1		B.02.01.L10001_2	25	1	56172079	D.10.01.L10001_0	16	1
52474190	D.10.01.L10001_0	1	1		B.02.01.L10001_3	25	1	56172080	D.10.01.L10001_0	17	1
52475450	D.06.01.L10001_0	11	1		B.02.01.L10001_4	25	1	56172129	B.02.01.L10001_0	36	0
52476787	D.06.01.L10001_0	15	1	56073439	B.02.01.L10001_0	18	0		B.02.01.L10001_1	43	0
52476788	D.05.01.L10001_0	11	1		B.02.01.L10001_1	24	0		B.02.01.L10001_2	43	1
52477270	D.01.01.L10001_0	23	1		B.02.01.L10001_2	24	1		B.02.01.L10001_3	43	1
52477271	D.01.01.L10001_0	24	1		B.02.01.L10001_3	24	1		B.02.01.L10001_4	43	1
55073540	E.01.01.L10001_0	9	1		B.02.01.L10001_4	24	1	56172163	C.02.01.L10001_0	41	0
55170053	D.07.01.L10001_0	5	0	56074020	D.02.01.L10001_0	11	1		C.02.01.L10001_1	41	2
	D.07.01.L10001_1	5	2		D.02.01.L10001_1	11	1	56172643	D.02.01.L10001_0	8	1
55172608	C.02.01.L10001_0	38	0	56075018	L.02.01.L10001_0	1.1	1		D.02.01.L10001_1	8	1
	C.02.01.L10001_1	38	2	56170017	G.01.01.L10001_0	14	1	56172685	C.03.01.L10001_0	10	1
55172994	A.03.01.L10001_0	11	1	56170226	C.02.01.L10001_0	14	0	56172719	D.03.01.L10001_0	4	0
55172995	A.03.01.L10001_0	10	1		C.02.01.L10001_1	14	1	56172750	G.05.01.L10001_0	8	0
55172997	A.04.01.L10001_0	4	1	56170275	A.05.01.L10001_0	6	1	56172769	G.02.01.L10001_0	28	0
55174021	D.02.01.L10001_0	12	1		A.05.01.L10001_1	6	1		G.02.01.L10001_1	28	1
	D.02.01.L10001_1	12	1	56170350	G.02.01.L10001_0	49	0		G.04.01.L10001_0	7	0
55174163	D.07.01.L10001_0	3	0		G.02.01.L10001_1	49	1		G.05.01.L10001_0	16	0
	D.07.01.L10001_1	3	2	56171237	B.07.01.L10001_0	8	1	56172770	G.04.01.L10001_0	8	0
55271644	B.05.01.L10001_0	2/2	1	56171671	D.01.01.L10001_0	7	0		G.05.01.L10001_0	15	0
55271852	B.05.01.L10001_0	2/1	1	56171672	D.01.01.L10001_0	9	0	56172905	G.01.01.L10001_0	10	1
55273089	A.05.01.L10001_0	1	1	56171775	A.05.01.L10001_0	12	1		G.03.01.L10001_0	5	1
	A.05.01.L10001_1	1	1		A.05.01.L10001_1	12	1		G.03.01.L10001_1	5	1
55274441	B.05.01.L10001_0	1	1	56171788	L.01.01.L10001_0	25	1	56172917	G.02.01.L10001_0	51	0
56071681	B.01.01.L10001_0	10		56171789	L.01.01.L10001_0	24	1		G.02.01.L10001_1	51	1
	B.01.01.L10001_1	10	0	56171877	A.02.01.L10001_0	3	0	56172929	A.02.01.L10001_0	7	0
56071684	B.01.01.L10001_0	7		56171883	A.02.01.L10001_0	4	0	56172964	B.02.01.L10001_0	30	0
	B.01.01.L10001_1	7	0	56171936	D.04.01.L10001_0	31	1		B.02.01.L10001_1	37	0
56071768	A.02.01.L10001_0	15	0	56171938	B.02.01.L10001_3	50	2	56172985	A.04.01.L10001_0	12	1
56072918	L.01.01.L10001_0	7	1		B.02.01.L10001_4	50	2	56172992	A.04.01.L10001_0	11	1
56072919	L.01.01.L10001_0	6	1		E.02.01.L10001_0	18	0	56172993	A.04.01.L10001_0	13	1



## SPARE PARTS INSTANCE INDEX

Code	Parts Table	Pos.	Q.ty	Code	Parts Table	Pos.	Q.ty	Code	Parts Table	Pos.	Q.ty
56172998	A.04.01.L10001_0	5	1	56174427	B.01.01.L10001_1	1.2	0	56371657	D.06.01.L10001_0	4	0
56173009	A.01.01.L10001_0	9	1	56174873	B.01.01.L10001_0	15		56371658	D.06.01.L10001_0	4	0
56173012	A.03.01.L10001_0	5	1		B.01.01.L10001_1	15	0	56371659	D.06.01.L10001_0	4	0
56173013	A.04.01.L10001_0	7	1	56175540	B.02.01.L10001_2	34	2	56371660	D.06.01.L10001_0	4	0
56173058	A.01.01.L10001_0	2	1		B.02.01.L10001_3	34	2	56371661	D.06.01.L10001_0	17	0
56173065	A.01.01.L10001_0	15	1		B.02.01.L10001_4	34	2	56371662	D.06.01.L10001_0	17	0
56173083	B.01.01.L10001_0	1.1		56176373	G.02.01.L10001_1	56	1	56371663	D.06.01.L10001_0	17	0
56173110	B.02.01.L10001_0	17	0	56176795	D.07.01.L10001_1	30	1	56371664	D.06.01.L10001_0	17	0
56173124	A.05.01.L10001_1	9	1	56177693	B.01.01.L10001_1	1.1	1	56371666	D.01.01.L10001_0	4	0
56173204	A.01.01.L10001_0	14	1	56178591	B.06.03.L10001_0	14	1	56371667	D.01.01.L10001_0	12	0
56173447	C.02.01.L10001_0	39	0	56179398	C.01.01.L10001_0	13	1	56371668	D.01.01.L10001_0	12	0
	C.02.01.L10001_1	39	2	56179424	D.02.01.L10001_0	26	1	56371669	D.01.01.L10001_0	12	0
56173496	G.02.01.L10001_0	46	0		D.02.01.L10001_1	26	1	56371670	D.01.01.L10001_0	12	0
	G.02.01.L10001_1	46	1	56349629	D.04.01.L10001_0	5	1	56371777	D.09.01.L10001_0	16	1
56173497	C.02.01.L10001_0	44	0	56370018	D.07.01.L10001_0	9	0	56371994	D.01.01.L10001_0	18	0
	C.02.01.L10001_1	44	1		D.07.01.L10001_1	9	4		D.08.01.L10001_0	7	1
56173511	G.02.01.L10001_0	31	0	56370081	C.01.01.L10001_0	6	0	56372067	L.01.01.L10001_0	26	1
	G.02.01.L10001_1	31	1	56370172	D.07.01.L10001_0	11	0	56372674	D.09.01.L10001_0	21	1
56173748	E.01.01.L10001_0	3	1		D.07.01.L10001_1	11	2	56372696	D.09.01.L10001_0	33	1
	E.01.01.L10001_1	3	1	56370178	C.02.01.L10001_0	13	0	56372702	D.08.01.L10001_0	13	1
	E.01.01.L10001_2	3	2		C.02.01.L10001_1	13	1	56372703	D.08.01.L10001_0	13	1
	E.01.01.L10001_3	3	2		D.06.01.L10001_0	18	0	56372704	D.08.01.L10001_0	13	1
56173749	E.01.01.L10001_1	8	1	56370228	C.02.01.L10001_0	1.1	0	56372705	D.08.01.L10001_0	13	0
56173750	E.01.01.L10001_1	9	1		C.02.01.L10001_1	1.1	2	56372706	D.08.01.L10001_0	13	1
56173751	E.01.01.L10001_1	12	0		G.01.01.L10001_0	16	1	56372708	D.09.01.L10001_0	29	1
56173884	C.02.01.L10001_0	15	0	56371210	L.01.01.L10001_0	29	1	56372774	D.07.01.L10001_0	13	0
	C.02.01.L10001_1	15	2	56371222	B.07.01.L10001_0	6	1		D.07.01.L10001_1	13	1
56174135	B.02.01.L10001_3	53	2	56371582	C.01.01.L10001_0	9	0	56372775	D.07.01.L10001_0	14	0
	B.02.01.L10001_4	32	2	56371583	C.01.01.L10001_0	9	0		D.07.01.L10001_1	14	1
56174160	E.01.01.L10001_0	16	1	56371584	C.01.01.L10001_0	9	0	56372776	D.07.01.L10001_0	15	0
	E.01.01.L10001_1	20	0	56371585	C.01.01.L10001_0	9	0		D.07.01.L10001_1	15	1
	E.01.01.L10001_2	11	1	56371586	C.01.01.L10001_0	9	0	56372777	D.07.01.L10001_0	16	0
	E.01.01.L10001_3	8	1	56371652	D.06.01.L10001_0	2	0	56372831	G.02.01.L10001_0	6	0
56174427	B.01.01.L10001_0	1.2		56371656	D.06.01.L10001_0	4	0		G.02.01.L10001_1	6	1



## SPARE PARTS INSTANCE INDEX

Code	Parts Table	Pos.	Q.ty	Code	Parts Table	Pos.	Q.ty	Code	Parts Table	Pos.	Q.ty
56372925	L.01.01.L10001_0	19	1	57370998	E.01.01.L10001_0	10	1	58070164	D.07.01.L10001_1	10	2
56373348	D.04.01.L10001_0	13	1	57371825	A.04.01.L10001_0	6	1	58070168	D.07.01.L10001_0	12	0
56373440	D.06.01.L10001_0	17	0	57371900	A.05.01.L10001_0	2	1		D.07.01.L10001_1	12	2
56373542	C.02.01.L10001_0	12	0		A.05.01.L10001_1	2	1	58070169	D.07.01.L10001_0	4	1
	C.02.01.L10001_1	12	1	57372600	B.05.01.L10001_0	21.1	1		D.07.01.L10001_1	4	1
56376791	D.06.01.L10001_0	19	1	57373097	B.01.01.L10001_0	2		58070198	D.09.01.L10001_0	36	1
56376796	D.07.01.L10001_1	16	1		B.01.01.L10001_1	2	0	58070205	D.09.01.L10001_0	24	1
56377980	L.02.01.L10001_0	1.4	1	57373101	B.05.01.L10001_0	13	1	58070390	B.07.01.L10001_0	7	0
56470365	D.02.01.L10001_0	19	1	57373231	E.02.01.L10001_0	2	1	58070741	D.07.01.L10001_0	22	0
	D.02.01.L10001_1	19	1		E.02.01.L10001_1	2	1		D.07.01.L10001_1	22	4
	D.04.01.L10001_0	22	1	57373745	B.02.01.L10001_1	10	0		D.11.01.L10001_0	7	1
56471508	D.01.01.L10001_0	17	0		B.02.01.L10001_2	10	1	58071534	G.01.01.L10001_0	9	1
	D.08.01.L10001_0	8	0	57373746	B.02.01.L10001_1	9	0		G.03.01.L10001_0	4	1
56471645	C.02.01.L10001_0	24	0		B.02.01.L10001_2	9	1		G.03.01.L10001_1	4	1
	C.02.01.L10001_1	24	1	57374196	B.05.01.L10001_0	6	1	58071790	C.01.01.L10001_0	5	0
56471655	D.06.01.L10001_0	5	0	57374207	B.02.01.L10001_0	11	0	58071805	G.01.01.L10001_0	18	1
56471665	D.01.01.L10001_0	5	0		B.02.01.L10001_1	19	0	58071811	D.09.01.L10001_0	14	1
56472695	D.08.01.L10001_0	9	1		B.02.01.L10001_2	19	1	58071998	L.01.01.L10001_0	5	1
56472698	D.08.01.L10001_0	11	1		B.02.01.L10001_3	19	1	58072045	G.01.01.L10001_0	19	1
56477572	G.02.01.L10001_0	53	1		B.02.01.L10001_4	19	1	58072074	A.02.01.L10001_0	10	0
	G.02.01.L10001_1	57	1	57374208	B.02.01.L10001_0	12	0	58072135	G.02.01.L10001_0	36	0
56571697	D.07.01.L10001_0	24	0		B.02.01.L10001_1	20	0	58072136	G.03.01.L10001_0	1	1
	D.07.01.L10001_1	24	2		B.02.01.L10001_2	20	1	58072138	G.05.01.L10001_0	20	0
56571785	G.01.01.L10001_0	5	1		B.02.01.L10001_3	20	1		I.01.01.L10001_0	11	1
56571824	L.01.01.L10001_0	1	1		B.02.01.L10001_4	20	1	58072269	G.03.01.L10001_1	16	1
56572694	D.08.01.L10001_0	6	1	57375344	B.02.01.L10001_3	9	1	58072492	A.02.01.L10001_0	11	0
56572720	D.03.01.L10001_0	3	0		B.02.01.L10001_4	9	1	58072509	B.04.01.L10001_0	13	0
56573708	M.01.01.L10001_0	4	5	57375345	B.02.01.L10001_3	10	1		B.04.01.L10001_1	13	1
	M.01.01.L10001_1	4	5		B.02.01.L10001_4	10	1	58072510	B.04.01.L10001_0	16	0
	M.02.01.L10001_0	4	5	58048002	A.02.01.L10001_0	12	0		B.04.01.L10001_1	16	1
	M.02.01.L10001_1	4	5	58070097	B.02.01.L10001_2	35	2	58072511	B.04.01.L10001_0	15	0
57174884	A.05.01.L10001_0	1.3	1		B.02.01.L10001_3	35	2		B.04.01.L10001_1	15	1
	A.05.01.L10001_1	1.3	1		B.02.01.L10001_4	35	2	58072517	B.04.01.L10001_0	14	0
57370321	B.07.01.L10001_0	4	1	58070164	D.07.01.L10001_0	10	0		B.04.01.L10001_1	14	1





## SPARE PARTS INSTANCE INDEX

Code	Parts Table	Pos.	Q.ty	Code	Parts Table	Pos.	Q.ty	Code	Parts Table	Pos.	Q.ty
58072520	B.04.01.L10001_0	11	0	58073554	B.04.01.L10001_0	5	0	58170021	C.03.01.L10001_0	2	0
	B.04.01.L10001_1	11	2		B.04.01.L10001_1	5	3	58170054	D.07.01.L10001_0	6	1
58072575	B.04.01.L10001_0	12	0	58073763	E.01.01.L10001_1	1	1		D.07.01.L10001_1	6	1
	B.04.01.L10001_1	12	1		E.01.01.L10001_2	1	1	58170077	C.02.01.L10001_0	21	0
58072642	L.01.01.L10001_0	16	1	58073764	E.02.01.L10001_0	7/1	1		C.02.01.L10001_1	21	2
58072688	D.02.01.L10001_0	7	1	58073765	E.01.01.L10001_1	18	0	58170352	G.02.01.L10001_0	50	0
	D.02.01.L10001_1	7	1	58073766	E.01.01.L10001_1	17	0		G.02.01.L10001_1	50	1
58072737	B.04.01.L10001_0	9	0	58074023	E.02.01.L10001_0	3	1	58170376	B.05.01.L10001_0	12	1
	B.04.01.L10001_1	9	1		E.02.01.L10001_1	3	1	58170449	L.01.01.L10001_0	11	1
58072795	I.01.01.L10001_0	12	1	58074024	E.02.01.L10001_0	4	1	58170453	B.05.01.L10001_0	15.3	1
58072796	I.01.01.L10001_0	13	1		E.02.01.L10001_1	4	1		E.02.01.L10001_0	5.3	1
58072922	L.01.01.L10001_0	15	1	58074122	B.04.01.L10001_0	8	0		E.02.01.L10001_1	5.3	1
58073147	G.02.01.L10001_0	21	0	58074170	E.02.01.L10001_0	7/2	1	58170571	E.02.01.L10001_0	7.1	1
	G.02.01.L10001_1	21	1	58074224	B.04.01.L10001_0	6	0		E.02.01.L10001_1	7.1	1
58073156	B.04.01.L10001_0	17	0		B.04.01.L10001_1	6	1	58170572	E.02.01.L10001_0	7.2	1
	B.04.01.L10001_1	17	2	58074225	B.04.01.L10001_0	7	0		E.02.01.L10001_1	7.2	1
58073227	A.02.01.L10001_0	14	0		B.04.01.L10001_1	7	1	58170634	B.02.01.L10001_0	31	0
58073234	E.01.01.L10001_0	1	1	58074562	B.04.01.L10001_1	8/1	1		B.02.01.L10001_1	38	0
58073235	E.02.01.L10001_0	15	0	58074563	B.04.01.L10001_1	8/2	1	58170769	G.02.01.L10001_0	33	0
58073236	E.02.01.L10001_0	16	0	58075372	G.03.01.L10001_1	1	1	58170803	C.02.01.L10001_0	29	0
58073237	A.05.01.L10001_0	16	1	58075373	G.02.01.L10001_1	53	1		C.02.01.L10001_1	29	1
	A.05.01.L10001_1	16	1	58075610	E.01.01.L10001_2	9	1	58170930	F.01.01.L10001_0	14	0
58073238	A.05.01.L10001_0	18	1	58075617	E.01.01.L10001_2	8	1	58170968	B.02.01.L10001_0	34	0
	A.05.01.L10001_1	18	1	58077816	B.05.01.L10001_0	15	1		B.02.01.L10001_1	41	0
58073498	F.01.01.L10001_0	10	0		E.02.01.L10001_0	5	1		B.02.01.L10001_2	47	1
58073499	F.01.01.L10001_0	11	0		E.02.01.L10001_1	5	1		B.02.01.L10001_3	47	1
58073548	B.04.01.L10001_0	2	0	58078987	E.02.01.L10001_1	7	1		B.02.01.L10001_4	47	1
	B.04.01.L10001_1	2	1	58078988	E.01.01.L10001_3	1	1	58170984	E.01.01.L10001_2	7	1
58073549	B.04.01.L10001_0	1	0	58078989	E.01.01.L10001_3	5	2	58171596	D.02.01.L10001_0	24	1
	B.04.01.L10001_1	1	1	58078990	E.02.01.L10001_1	16	1		D.02.01.L10001_1	24	1
58073550	B.04.01.L10001_0	3	0	58078991	E.02.01.L10001_1	17	1		D.04.01.L10001_0	17	1
	B.04.01.L10001_1	3	2	58078992	E.02.01.L10001_1	15	1	58171633	A.01.01.L10001_0	1.5	1
58073552	B.04.01.L10001_0	4	0	58170013	C.02.01.L10001_0	23	0	58171861	G.01.01.L10001_0	2	1
	B.04.01.L10001_1	4	2		C.02.01.L10001_1	23	1	58172011	G.02.01.L10001_0	27.2	0



## SPARE PARTS INSTANCE INDEX

Code	Parts Table	Pos.	Q.ty	Code	Parts Table	Pos.	Q.ty	Code	Parts Table	Pos.	Q.ty
58172011	G.02.01.L10001_1	27.02.00	1	58172915	G.02.01.L10001_1	17	1	58173518	G.04.01.L10001_0	1	0
	G.04.01.L10001_0	2	0	58172946	D.09.01.L10001_0	12	1		G.05.01.L10001_0	1.1	0
	G.05.01.L10001_0	1.2	0	58172957	D.02.01.L10001_0	1	1		I.01.01.L10001_0	8	2
	I.01.01.L10001_0	1	1		D.02.01.L10001_1	1	1	58173519	G.05.01.L10001_0	1	0
58172012	G.05.01.L10001_0	1.3	0	58172958	D.02.01.L10001_0	1.1	1	58173616	A.01.01.L10001_0	11	1
	I.01.01.L10001_0	3	1		D.02.01.L10001_1	1.1	1	58173642	G.02.01.L10001_0	45.2	0
58172013	I.01.01.L10001_0	4	1	58172996	A.04.01.L10001_0	1	1		G.02.01.L10001_1	45/2	1
58172014	I.01.01.L10001_0	5	1	58172999	A.04.01.L10001_0	1.1	1	58173942	M.02.01.L10001_0	3/2	1
58172015	G.02.01.L10001_0	26	0	58173010	A.01.01.L10001_0	8	1	58174019	F.01.01.L10001_0	15	0
	G.02.01.L10001_1	26	1	58173108	B.05.01.L10001_0	14	1	58174093	A.03.01.L10001_0	2	2
58172016	G.04.01.L10001_0	4	0	58173162	G.02.01.L10001_0	27	0	58174124	B.05.01.L10001_0	20	1
	G.05.01.L10001_0	5/2	0		G.02.01.L10001_1	27	1	58174192	D.07.01.L10001_0	1	0
58172043	B.05.01.L10001_0	11	1	58173164	F.01.01.L10001_0	1	0		D.07.01.L10001_1	1	2
58172267	B.05.01.L10001_0	15.4	1	58173187	A.05.01.L10001_0	3	1	58174451	M.01.01.L10001_0	9/1	1
	E.02.01.L10001_0	5.4	1		A.05.01.L10001_1	3	1		M.01.01.L10001_1	9/1	1
	E.02.01.L10001_1	5.4	1	58173230	E.02.01.L10001_0	13	0	58174453	M.01.01.L10001_0	9/2	1
58172489	G.02.01.L10001_0	27.3	0		E.02.01.L10001_1	13	1		M.01.01.L10001_1	9/2	1
	G.02.01.L10001_1	27.03.00	1	58173337	G.02.01.L10001_0	45	0	58175052	A.03.01.L10001_0	1.1	1
	G.04.01.L10001_0	3	0		G.02.01.L10001_1	45	1	58175971	M.02.01.L10001_0	3.2	1
	G.05.01.L10001_0	3	0	58173358	M.01.01.L10001_0	9.1	1		M.02.01.L10001_1	3.2	1
	I.01.01.L10001_0	9	1		M.01.01.L10001_0	9.2	1	58176203	M.02.01.L10001_1	6/1	1
58172490	G.02.01.L10001_0	27.4	0		M.01.01.L10001_1	9.1	1	58176204	M.02.01.L10001_1	6/2	1
	G.02.01.L10001_1	27.04.00	3		M.01.01.L10001_1	9.2	1	58176970	D.02.01.L10001_0	17	1
	G.05.01.L10001_0	5/1	0		M.02.01.L10001_0	3.1	1		D.02.01.L10001_1	17	1
58172589	G.03.01.L10001_0	2	1		M.02.01.L10001_1	3.1	1	58177722	B.06.02.L10001_0	1	1
58172707	I.01.01.L10001_0	2	1	58173361	G.05.01.L10001_0	1.4	0	58177728	B.06.01.L10001_0	1	1
58172717	D.03.01.L10001_0	2	0		I.01.01.L10001_0	10	1	58178704	A.03.01.L10001_0	1	1
58172718	D.03.01.L10001_0	5	0	58173437	B.06.03.L10001_0	4	1	58178909	M.02.01.L10001_1	3/2	1
58172756	M.02.01.L10001_0	3/1	1	58173507	G.02.01.L10001_0	43/1	0	58178910	M.02.01.L10001_1	3/1	1
58172911	G.02.01.L10001_0	1	0		G.02.01.L10001_1	43/1	1	58178960	D.04.01.L10001_0	20	1
	G.02.01.L10001_1	1	1	58173515	G.02.01.L10001_0	43/2	0	58179168	D.01.01.L10001_0	1	1
58172914	G.02.01.L10001_0	7	0		G.02.01.L10001_1	43/2	1	58192377	B.06.02.L10001_0	3	1
	G.02.01.L10001_1	7	1	58173518	G.02.01.L10001_0	27.1	0		B.06.03.L10001_0	13	1
58172915	G.02.01.L10001_0	17	0		G.02.01.L10001_1	27.01.00	1	59070448	L.01.01.L10001_0	12	1

## SPARE PARTS INSTANCE INDEX

Code	Parts Table	Pos.	Q.ty	Code	Parts Table	Pos.	Q.ty	Code	Parts Table	Pos.	Q.ty
59070591	B.02.01.L10001_2	41	1	59072754	D.11.01.L10001_0	1	1	59073430	B.02.01.L10001_2	17	1
	B.02.01.L10001_3	41	1	59072761	D.11.01.L10001_0	4	1		B.02.01.L10001_3	17	1
	B.02.01.L10001_4	41	1	59072786	G.05.01.L10001_0	10	0		B.02.01.L10001_4	17	1
59070592	B.02.01.L10001_0	35	0	59072787	G.05.01.L10001_0	13	0	59073431	B.02.01.L10001_0	10	0
	B.02.01.L10001_1	42	0	59072825	G.01.01.L10001_0	7	1		B.02.01.L10001_1	18	0
	B.02.01.L10001_2	42	1	59072829	G.01.01.L10001_0	6	1		B.02.01.L10001_2	18	1
	B.02.01.L10001_3	42	1	59072848	D.04.01.L10001_0	2	1		B.02.01.L10001_3	18	1
	B.02.01.L10001_4	42	1	59072859	D.04.01.L10001_0	1	1		B.02.01.L10001_4	18	1
59071171	C.02.01.L10001_0	17	0	59072904	D.04.01.L10001_0	7	1	59073491	L.01.01.L10001_0	4	1
	C.02.01.L10001_1	17	1	59072940	B.02.01.L10001_0	26	0	59073500	C.02.01.L10001_0	34	0
59071241	B.06.02.L10001_0	13	1		B.02.01.L10001_1	33	0		C.02.01.L10001_1	34	1
59071518	D.01.01.L10001_0	21	0	59072945	B.02.01.L10001_0	28	0	59073509	D.09.01.L10001_0	30	1
59071743	B.07.01.L10001_0	2	1		B.02.01.L10001_1	35	0	59073514	D.02.01.L10001_0	22	1
59071745	B.07.01.L10001_0	5	1	59072974	F.01.01.L10001_0	2	0		D.02.01.L10001_1	22	1
59071778	D.09.01.L10001_0	13	1	59073003	D.09.01.L10001_0	27	1	59073522	B.02.01.L10001_0	1	0
59071779	D.09.01.L10001_0	15	1	59073007	A.01.01.L10001_0	7	1	59073524	B.02.01.L10001_0	2	0
59072006	D.09.01.L10001_0	6	1	59073090	A.05.01.L10001_0	9	1	59073599	D.04.01.L10001_0	16	1
59072007	D.09.01.L10001_0	5	1	59073093	D.04.01.L10001_0	26	1	59073600	D.04.01.L10001_0	15	1
59072008	D.09.01.L10001_0	1	1	59073098	B.01.01.L10001_0	3		59073799	B.02.01.L10001_0	33	0
59072057	G.02.01.L10001_0	30	0		B.01.01.L10001_1	3	0		B.02.01.L10001_1	40	0
	G.02.01.L10001_1	30	2	59073128	B.02.01.L10001_0	22	0	59073888	B.02.01.L10001_0	3	0
	G.05.01.L10001_0	4	0		B.02.01.L10001_1	28	0		B.02.01.L10001_1	3	0
59072114	B.02.01.L10001_2	48	1		B.02.01.L10001_2	28	1	59074089	G.02.01.L10001_0	25	0
	B.02.01.L10001_3	48	1	59073129	B.02.01.L10001_0	23	0		G.02.01.L10001_1	25	1
	B.02.01.L10001_4	48	1		B.02.01.L10001_1	29	0	59074091	B.01.01.L10001_0	1.3	
59072408	G.02.01.L10001_0	44	0		B.02.01.L10001_2	29	1	59074105	G.03.01.L10001_0	7	1
	G.02.01.L10001_1	44	1	59073139	B.02.01.L10001_0	24	0		G.03.01.L10001_1	7	1
59072675	D.09.01.L10001_0	22	1		B.02.01.L10001_1	31	0	59074140	B.02.01.L10001_2	4	1
59072678	D.09.01.L10001_0	17	1		B.02.01.L10001_2	31	1		B.02.01.L10001_3	4	1
59072722	G.01.01.L10001_0	12	1	59073320	G.02.01.L10001_0	35	0		B.02.01.L10001_4	4	1
	G.03.01.L10001_0	10	1		G.02.01.L10001_1	35	1	59074141	B.02.01.L10001_2	33	1
	G.03.01.L10001_1	10	1	59073429	A.02.01.L10001_0	13	0		B.02.01.L10001_3	33	1
59072731	D.07.01.L10001_0	20	0	59073430	B.02.01.L10001_0	9	0		B.02.01.L10001_4	33	1
	D.07.01.L10001_1	20	1		B.02.01.L10001_1	17	0	59074144	B.02.01.L10001_2	3	1



## SPARE PARTS INSTANCE INDEX

Code	Parts Table	Pos.	Q.ty	Code	Parts Table	Pos.	Q.ty	Code	Parts Table	Pos.	Q.ty
59074144	B.02.01.L10001_3	3	1	59273380	M.01.01.L10001_1	3/1	1	59900180	G.03.01.L10001_0	4.2	1
	B.02.01.L10001_4	3	1	59273941	M.01.01.L10001_0	3/2	1		G.03.01.L10001_1	4.2	1
59074187	D.07.01.L10001_0	2	0		M.01.01.L10001_1	3/2	1	59900181	G.01.01.L10001_0	9.1	1
	D.07.01.L10001_1	34	1	59275173	C.02.01.L10001_0	1	0		G.03.01.L10001_0	4.1	1
59074862	B.02.01.L10001_1	1	0		C.02.01.L10001_1	1	1		G.03.01.L10001_1	4.1	1
	B.02.01.L10001_2	1	1	59372713	D.01.01.L10001_0	13	0	59900183	B.06.03.L10001_0	5	1
59074863	B.02.01.L10001_1	2	0	59372819	D.05.01.L10001_0	2/1	0	59900184	B.06.03.L10001_0	6	1
	B.02.01.L10001_2	2	1	59373451	D.05.01.L10001_0	2/2	0	59900185	B.06.03.L10001_0	7	1
59074878	G.02.01.L10001_0	40	0	59373537	D.08.01.L10001_0	1	1	59900186	B.06.03.L10001_0	8	1
	G.02.01.L10001_1	40	1	59375017	L.02.01.L10001_0	1	1	59900187	B.06.03.L10001_0	9	1
59075012	L.02.01.L10001_0	1.3	1	59900152	B.06.02.L10001_0	15	1	59900192	A.01.01.L10001_0	1.1	1
59075077	D.10.01.L10001_0	15	1	59900153	B.06.02.L10001_0	9	1	59900193	A.01.01.L10001_0	1.2	1
59075283	B.01.01.L10001_1	21	1	59900154	B.06.02.L10001_0	8	4	59900199	B.06.03.L10001_0	1	1
59075386	G.02.01.L10001_1	54	1	59900155	B.06.02.L10001_0	7	1	59900217	A.04.01.L10001_0	1.2	1
59075490	B.02.01.L10001_3	31	1	59900156	B.06.02.L10001_0	6	1	59900218	A.04.01.L10001_0	1.3	1
	B.02.01.L10001_4	31	1	59900157	B.06.02.L10001_0	11	1	59900219	A.04.01.L10001_0	1.4	1
59075497	B.02.01.L10001_3	28	1	59900158	B.06.02.L10001_0	10	18	59900220	A.04.01.L10001_0	1.5	1
59075501	B.02.01.L10001_3	29	1	59900159	B.06.02.L10001_0	5	1	59900222	A.01.01.L10001_0	1.6	1
59075504V	B.02.01.L10001_4	1	1	59900160	B.06.02.L10001_0	12	1	59900223	A.01.01.L10001_0	1.3	1
59075505	B.02.01.L10001_3	1	1	59900161	B.06.02.L10001_0	14	1	59900226	D.02.01.L10001_0	1.2	1
59075508V	B.02.01.L10001_4	2	1	59900163	B.06.01.L10001_0	9	1		D.02.01.L10001_1	1.2	1
59075509	B.02.01.L10001_3	2	1	59900165	B.06.01.L10001_0	15	1	59900227	A.01.01.L10001_0	1.4	1
59076413	B.02.01.L10001_3	51	1	59900166	B.06.01.L10001_0	14	1	59900247	F.01.01.L10001_0	15.2	1
	B.02.01.L10001_4	51	1	59900167	B.06.01.L10001_0	12	1	59900265	B.01.01.L10001_0	1	
59076414	B.02.01.L10001_3	52	1	59900168	B.06.01.L10001_0	10	1	59900269	B.01.01.L10001_1	1	0
	B.02.01.L10001_4	52	1	59900169	B.06.01.L10001_0	11	1	59900540	A.03.01.L10001_0	15	1
59076793	D.07.01.L10001_1	2	2	59900170	B.06.01.L10001_0	13	1	59901049	B.06.02.L10001_0	4	1
59076794	D.07.01.L10001_1	28	1	59900171	B.06.01.L10001_0	2	1	59901050	B.06.02.L10001_0	2	1
59077689	B.01.01.L10001_1	1.3		59900172	B.06.01.L10001_0	5	1	59901266	B.06.01.L10001_0	16	1
59078975V	B.02.01.L10001_4	28	1	59900173	B.06.01.L10001_0	6	1	59978068	D.07.01.L10001_1	33	1
59078980V	B.02.01.L10001_4	29	1	59900174	B.06.01.L10001_0	7	1	F0010001078	B.07.01.L10001_0	1	1
59078986	B.02.01.L10001_4	53	2	59900175	B.06.01.L10001_0	8	1	F0060031247	L.01.01.L10001_0	10	1
59079661	D.02.01.L10001_1	27	1	59900178	F.01.01.L10001_0	15.1	0	F0150010905	M.01.01.L10001_0	8	1
59273380	M.01.01.L10001_0	3/1	1	59900180	G.01.01.L10001_0	9.2	0		M.01.01.L10001_1	8	1



## SPARE PARTS INSTANCE INDEX

Code	Parts Table	Pos.	Q.ty	Code	Parts Table	Pos.	Q.ty	Code	Parts Table	Pos.	Q.ty
F0150010905	M.02.01.L10001_1	6.1	1	F0801331000	D.05.01.L10001_0	5	0	F0812849100	D.10.01.L10001_0	8	1
F0150010910	M.02.01.L10001_0	6	1	F0801331100	D.06.01.L10001_0	14	0	F0812871030	D.05.01.L10001_0	10	0
	M.02.01.L10001_1	7	1	F0801425000	D.05.01.L10001_0	15	0	F0812895000	C.01.01.L10001_0	8	0
F0150036216	B.06.03.L10001_0	2	1	F0802100050	C.02.01.L10001_0	32	0	F0812895100	D.08.01.L10001_0	12	1
F0150036219	B.06.03.L10001_0	3	1		C.02.01.L10001_1	32	1	F0812933000	D.05.01.L10001_0	14	0
F0190031203	L.01.01.L10001_0	21	1	F0802190010	D.01.01.L10001_0	8	0	F0814517010	E.01.01.L10001_1	11	0
F0190035152	E.02.01.L10001_0	22	0		D.10.01.L10001_0	11	1	F0814525000	A.01.01.L10001_0	18	1
	E.02.01.L10001_1	22	1	F0802239052	D.01.01.L10001_0	25	0	F0814529080	E.01.01.L10001_2	6	4
F0252929002	B.01.01.L10001_0	19			D.08.01.L10001_0	17	1		E.01.01.L10001_3	6	4
	B.01.01.L10001_1	19	0	F0803178000	D.09.01.L10001_0	32	1		E.02.01.L10001_0	19	0
F0256808000	B.02.01.L10001_0	21	0	F0806533000	D.04.01.L10001_0	4	1		E.02.01.L10001_1	19	1
	B.02.01.L10001_1	27	0	F0808060100	L.01.01.L10001_0	22	1	F0814547000	C.02.01.L10001_0	43	0
	B.02.01.L10001_2	27	1	F0808518050	B.04.01.L10001_0	10	0		C.02.01.L10001_1	43	4
	B.02.01.L10001_3	27	1		B.04.01.L10001_1	10	4	F0814569000	B.06.01.L10001_0	3	1
	B.02.01.L10001_4	27	1	F0810505010	D.09.01.L10001_0	11	1		D.04.01.L10001_0	14	1
F0256809050	A.03.01.L10001_0	13	1	F0810510000	D.02.01.L10001_0	21	1	F0814574000	B.02.01.L10001_0	8	0
F0256910000	B.01.01.L10001_0	14			D.02.01.L10001_1	21	1		B.02.01.L10001_1	8	0
	B.01.01.L10001_1	14	0		D.04.01.L10001_0	11	1		B.02.01.L10001_2	8	6
F0801095000	D.04.01.L10001_0	27	1	F0810527000	D.09.01.L10001_0	31	1		B.02.01.L10001_3	8	6
F0801127050	G.02.01.L10001_0	4	0	F0812523050	D.02.01.L10001_0	2	1		B.02.01.L10001_4	8	10
	G.02.01.L10001_1	4	1		D.02.01.L10001_1	2	1		C.02.01.L10001_0	31	0
F0801149010	G.01.01.L10001_0	11	0		G.02.01.L10001_0	5	0		C.02.01.L10001_1	31	1
	G.03.01.L10001_0	6	1		G.02.01.L10001_1	5	1		D.01.01.L10001_0	2	0
	G.03.01.L10001_1	6	1	F0812525100	D.10.01.L10001_0	3	1		D.10.01.L10001_0	13	1
F0801151000	D.05.01.L10001_0	9	0	F0812686100	D.06.01.L10001_0	20	0		E.02.01.L10001_0	26	0
F0801185010	D.04.01.L10001_0	6	1	F0812689000	D.05.01.L10001_0	3	0		E.02.01.L10001_1	26	1
F0801190000	D.03.01.L10001_0	8	0		D.06.01.L10001_0	6	0	F0814627000	D.02.01.L10001_0	15	1
F0801241005	D.06.01.L10001_0	7	0	F0812733075	D.05.01.L10001_0	13	0		D.02.01.L10001_1	15	1
F0801248000	D.05.01.L10001_0	12	0		D.06.01.L10001_0	10	0		D.04.01.L10001_0	24	1
	D.06.01.L10001_0	9	0	F0812747000	C.02.01.L10001_0	20	0	F0814629010	B.01.01.L10001_0	9	
F0801264050	D.10.01.L10001_0	7	1		C.02.01.L10001_1	20	2		B.01.01.L10001_1	9	0
	G.01.01.L10001_0	8	0	F0812779000	D.10.01.L10001_0	5	1	F0814642020	B.02.01.L10001_1	45	0
F0801297000	G.05.01.L10001_0	26	0	F0812810100	D.06.01.L10001_0	3	0		B.02.01.L10001_2	45	2
	I.01.01.L10001_0	19	2	F0812849100	D.05.01.L10001_0	1	0		B.02.01.L10001_3	45	2

## SPARE PARTS INSTANCE INDEX

Code	Parts Table	Pos.	Q.ty	Code	Parts Table	Pos.	Q.ty	Code	Parts Table	Pos.	Q.ty
F0814642020	B.02.01.L10001_4	45	2	F0821057000	D.08.01.L10001_0	14	1	F0825417000	E.01.01.L10001_0	15	1
F0814647000	B.01.01.L10001_0	5		F0822537050	D.02.01.L10001_0	23	1		E.01.01.L10001_1	19	0
	B.01.01.L10001_1	5	0		D.02.01.L10001_1	23	1		E.01.01.L10001_2	10	1
	C.02.01.L10001_0	5	0		D.04.01.L10001_0	3	1		E.01.01.L10001_3	7	1
	C.02.01.L10001_1	5	2	F0824110000	G.02.01.L10001_0	18	0	F0825420500	E.01.01.L10001_2	5	2
F0814688010	G.02.01.L10001_0	16	0		G.02.01.L10001_1	18	12	F0825420560	E.01.01.L10001_2	5.1	1
	G.02.01.L10001_1	16	1		G.03.01.L10001_0	3	1		E.01.01.L10001_3	5.1	1
F0814695000	C.03.01.L10001_0	7	1		G.05.01.L10001_0	12	0	F0825420600	E.02.01.L10001_0	17	0
	G.03.01.L10001_0	13	1		G.05.01.L10001_0	19	0	F0825420660	E.02.01.L10001_0	17.1	0
	G.03.01.L10001_1	13	1		I.01.01.L10001_0	7	8		E.02.01.L10001_1	17.1	1
F0814744050	E.02.01.L10001_0	14	0	F0824141000	F.01.01.L10001_0	8	0	F0825436000	B.05.01.L10001_0	15.1	1
	E.02.01.L10001_1	14	1		G.02.01.L10001_0	23	0		E.02.01.L10001_0	5.1	1
F0814751000	M.01.01.L10001_0	9.4	4		G.02.01.L10001_1	23	4		E.02.01.L10001_1	5.1	1
	M.01.01.L10001_1	9.4	4		G.05.01.L10001_0	24	0	F0825436003	B.05.01.L10001_0	15.2	1
	M.02.01.L10001_0	3.4	4		I.01.01.L10001_0	17	0		E.02.01.L10001_0	5.2	1
	M.02.01.L10001_1	3.4	4	F0824185000	G.02.01.L10001_0	48	0		E.02.01.L10001_1	5.2	1
F0817505000	A.05.01.L10001_0	17	1		G.02.01.L10001_1	48	1	F0825438000	E.02.01.L10001_0	8	1
	A.05.01.L10001_1	17	1	F0825115010	B.05.01.L10001_0	16	1		E.02.01.L10001_1	8	1
F0817512000	A.05.01.L10001_0	15	1	F0825117000	E.02.01.L10001_0	11	1	F0825440100	E.01.01.L10001_0	7	1
	A.05.01.L10001_1	15	1		E.02.01.L10001_1	11	1		E.01.01.L10001_1	7	1
F0817523010	A.03.01.L10001_0	12	4	F0825139000	B.05.01.L10001_0	19	1	F0825440110	E.01.01.L10001_0	6	1
	G.02.01.L10001_0	42	0		E.02.01.L10001_0	6	1		E.01.01.L10001_1	6	0
	G.02.01.L10001_1	42	4		E.02.01.L10001_1	6	1	F0825470050	E.02.01.L10001_0	1	0
F0817568000	A.04.01.L10001_0	3	3	F0825400060	B.05.01.L10001_0	18	1		E.02.01.L10001_1	1	1
F0817603000	A.04.01.L10001_0	2	1	F0825403050	B.05.01.L10001_0	22	1	F0825488000	E.02.01.L10001_0	12	1
F0817640003	D.07.01.L10001_0	27	1	F0825404050	E.01.01.L10001_0	2	1		E.02.01.L10001_1	12	1
	D.07.01.L10001_1	27	2		E.01.01.L10001_1	2	1	F0825493000	E.02.01.L10001_0	21	0
F0819134030	D.02.01.L10001_0	5	1		E.01.01.L10001_2	2	2		E.02.01.L10001_1	21	1
	D.02.01.L10001_1	5	1		E.01.01.L10001_3	2	2	F0825500000	E.01.01.L10001_0	5	1
F0819134040	D.02.01.L10001_0	9	1	F0825414000	E.02.01.L10001_0	27	0		E.01.01.L10001_1	5	1
	D.02.01.L10001_1	9	1		E.02.01.L10001_1	27	1	F0825500220	B.05.01.L10001_0	17.1	1
F0819134050	D.02.01.L10001_0	6	1	F0825415050	A.03.01.L10001_0	14	1	F0825718010	G.02.01.L10001_0	45.1	0
	D.02.01.L10001_1	6	1	F0825416000	G.02.01.L10001_0	20	0		G.02.01.L10001_1	45/1	1
F0821057000	D.01.01.L10001_0	22	0		G.02.01.L10001_1	20	1	F0825980030	G.05.01.L10001_0	25	0



## SPARE PARTS INSTANCE INDEX

Code	Parts Table	Pos.	Q.ty	Code	Parts Table	Pos.	Q.ty	Code	Parts Table	Pos.	Q.ty
F0825980030	I.01.01.L10001_0	18	1	F0838166018	D.10.01.L10001_0	18	1	F0843570000	C.02.01.L10001_0	36	0
F0826056000	C.02.01.L10001_0	10	0	F0838530150	C.02.01.L10001_0	4	0		C.02.01.L10001_1	36	8
	C.02.01.L10001_1	10	2		C.02.01.L10001_1	4	2		D.02.01.L10001_0	4	1
	G.01.01.L10001_0	3	1	F0838660000	C.03.01.L10001_0	6	1		D.02.01.L10001_1	4	1
	L.02.01.L10001_0	1.6	1		G.03.01.L10001_0	12	1		D.09.01.L10001_0	8	1
F0826062000	C.02.01.L10001_0	9	0		G.03.01.L10001_1	12	1		E.01.01.L10001_1	15	0
F0828029070	A.02.01.L10001_0	1	0	F0840544000	G.02.01.L10001_0	52	0	F0843578010	C.02.01.L10001_0	37	0
F0831139000	D.02.01.L10001_0	25	1		G.02.01.L10001_1	52	1		C.02.01.L10001_1	37	1
	D.02.01.L10001_1	25	1	F0842512000	G.02.01.L10001_0	24	0	F0843643060	A.01.01.L10001_0	6	1
	D.07.01.L10001_1	31	1		G.02.01.L10001_1	24	1		A.02.01.L10001_0	16	0
F0831193010	D.02.01.L10001_0	16	1	F0842519050	G.03.01.L10001_1	17	1		A.03.01.L10001_0	4	2
	D.02.01.L10001_1	16	1	F0843107000	G.02.01.L10001_0	37	0		A.05.01.L10001_0	8	1
F0834378001	A.01.01.L10001_0	1.7	1		G.02.01.L10001_1	37	1		A.05.01.L10001_1	8	1
	E.01.01.L10001_0	17	1		G.03.01.L10001_0	8	1		B.02.01.L10001_0	7	0
	E.01.01.L10001_1	21	0		G.03.01.L10001_1	8	1		B.02.01.L10001_1	7	0
	E.01.01.L10001_2	12	1		G.05.01.L10001_0	21	0		B.02.01.L10001_2	7	12
	E.01.01.L10001_3	9	1		I.01.01.L10001_0	14	1		B.02.01.L10001_3	7	12
F0835023000	G.02.01.L10001_1	36	1	F0843109000	F.01.01.L10001_0	12	0		B.02.01.L10001_4	7	16
	G.05.01.L10001_0	18	0	F0843109020	G.02.01.L10001_0	34	0		C.02.01.L10001_0	19	0
	I.01.01.L10001_0	6	8		G.02.01.L10001_1	34	4		C.02.01.L10001_1	19	1
F0835024010	G.02.01.L10001_0	19	0		G.05.01.L10001_0	11	0		D.02.01.L10001_1	29	2
	G.02.01.L10001_1	19	1	F0843116000	F.01.01.L10001_0	7	0		D.04.01.L10001_0	29	1
F0835040020	G.05.01.L10001_0	23	0		G.02.01.L10001_0	22	0		D.09.01.L10001_0	18	1
	I.01.01.L10001_0	16	1		G.02.01.L10001_1	22	2		D.10.01.L10001_0	19	1
F0835040030	F.01.01.L10001_0	9	0	F0843561000	A.01.01.L10001_0	17	1		D.11.01.L10001_0	2	1
F0835523000	D.04.01.L10001_0	9	1	F0843570000	A.03.01.L10001_0	7	3		E.02.01.L10001_0	24	0
F0837521000	B.07.01.L10001_0	9	1		A.04.01.L10001_0	8	2		E.02.01.L10001_1	24	1
F0837534010	D.11.01.L10001_0	6	1		B.02.01.L10001_1	12	0		G.02.01.L10001_0	3	0
	G.02.01.L10001_0	29	0		B.02.01.L10001_2	12	4		G.02.01.L10001_0	27.5	0
	G.02.01.L10001_1	29	1		B.02.01.L10001_3	12	4		G.02.01.L10001_1	3	10
	G.04.01.L10001_0	9	0		B.02.01.L10001_4	12	4		G.02.01.L10001_1	27.05.00	1
	G.05.01.L10001_0	17	0		B.05.01.L10001_0	8	1		G.04.01.L10001_0	5	0
F0838131000	A.01.01.L10001_0	12	1		B.07.01.L10001_0	11	1		G.05.01.L10001_0	7	0
	D.10.01.L10001_0	12	1		C.01.01.L10001_0	15	1		L.01.01.L10001_0	14	1



## SPARE PARTS INSTANCE INDEX

Code	Parts Table	Pos.	Q.ty	Code	Parts Table	Pos.	Q.ty	Code	Parts Table	Pos.	Q.ty
F0843696000	B.06.03.L10001_0	12	6	F0843907000	I.01.01.L10001_0	15	2	F0851267050	D.09.01.L10001_0	35	1
	D.02.01.L10001_1	30	2	F0843948000	F.01.01.L10001_0	13	0	F0851486000	L.01.01.L10001_0	17	1
F0843708000	E.02.01.L10001_0	25	0	F0843957000	D.09.01.L10001_0	25	1		L.02.01.L10001_0	1.5	1
	E.02.01.L10001_1	25	1	F0844065010	L.01.01.L10001_0	20	1	F0851497000	B.01.01.L10001_1	22	1
F0843755000	A.05.01.L10001_0	11	1	F0844084000	M.01.01.L10001_0	12	1		L.01.01.L10001_0	23	1
	A.05.01.L10001_1	11	1		M.01.01.L10001_1	12	1	F0852550010	G.05.01.L10001_0	27	0
	B.01.01.L10001_0	8		F0844179010	L.01.01.L10001_0	18	1		I.01.01.L10001_0	20	0
	B.01.01.L10001_1	8	0	F0844273090	C.01.01.L10001_0	7	0	F0854067050	B.04.01.L10001_0	18	0
	B.02.01.L10001_0	15	0		C.03.01.L10001_0	3	1	F0858021000	A.02.01.L10001_0	8	0
	B.02.01.L10001_1	23	0	F0844283020	L.01.01.L10001_0	2	1	F0858520000	A.02.01.L10001_0	18	1
	B.02.01.L10001_2	23	8	F0847434000	D.07.01.L10001_0	23	0	F0859070000	B.01.01.L10001_0	20	
	B.02.01.L10001_3	23	8		D.07.01.L10001_1	23	4	F0859070030	B.01.01.L10001_1	20	1
	B.02.01.L10001_4	23	8		D.11.01.L10001_0	8	1	F0860058000	D.02.01.L10001_0	14	1
	C.02.01.L10001_0	3	0	F0848610000	M.01.01.L10001_0	1	1		D.02.01.L10001_1	14	1
	C.02.01.L10001_1	3	1		M.01.01.L10001_1	1	1	F0860060010	D.04.01.L10001_0	8	1
	C.03.01.L10001_0	12	1	F0848629000	M.02.01.L10001_0	1	1	F0860060020	D.04.01.L10001_0	12	1
	D.02.01.L10001_0	10	1		M.02.01.L10001_1	1	1	F0861846010	E.01.01.L10001_1	10	1
	D.02.01.L10001_1	10	1	F0848635000	M.01.01.L10001_0	6	1	F0861867001	E.01.01.L10001_0	8	1
	D.04.01.L10001_0	19	1		M.01.01.L10001_1	6	1	F0861867050	A.05.01.L10001_0	4	1
	F.01.01.L10001_0	4	0	F0848649000	M.01.01.L10001_0	7	1		A.05.01.L10001_1	4	1
	G.02.01.L10001_0	10	0		M.01.01.L10001_1	7	1	F0861929060	A.01.01.L10001_0	16	1
	G.02.01.L10001_1	10	4	F0848843050	M.02.01.L10001_0	2	1	F0861941000	E.02.01.L10001_0	9	1
	L.01.01.L10001_0	9	1	F0848887000	M.01.01.L10001_0	2	1		E.02.01.L10001_1	9	1
F0843843060	B.01.01.L10001_0	17			M.01.01.L10001_1	2	1	F0862037050	D.06.01.L10001_0	13	0
	B.01.01.L10001_1	17	0	F0849206005	A.03.01.L10001_0	8	1	F0862210000	C.02.01.L10001_0	42	0
	B.02.01.L10001_2	39	12	F0849211010	B.01.01.L10001_0	6			C.02.01.L10001_1	42	4
	B.02.01.L10001_3	39	12		B.01.01.L10001_1	6	0	F0862479020	B.05.01.L10001_0	4	1
	B.02.01.L10001_4	39	12	F0849500001	A.05.01.L10001_0	1.1	1	F0862479040	B.01.01.L10001_0	4	
	L.01.01.L10001_0	28	1		A.05.01.L10001_1	1.1	1		B.01.01.L10001_1	4	0
F0843907000	G.02.01.L10001_0	38	0	F0849500002	A.05.01.L10001_0	1.2	1	F0862481000	B.07.01.L10001_0	10	1
	G.02.01.L10001_1	38	2		A.05.01.L10001_1	1.2	1	F0862488000	E.02.01.L10001_0	23	0
	G.03.01.L10001_0	9	1	F0851180000	D.07.01.L10001_0	21	0		E.02.01.L10001_1	23	1
	G.03.01.L10001_1	9	1		D.07.01.L10001_1	21	4		L.01.01.L10001_0	3	1
	G.05.01.L10001_0	22	0	F0851260000	D.09.01.L10001_0	23	1	F0862495010	B.06.03.L10001_0	11	4



## SPARE PARTS INSTANCE INDEX

Code	Parts Table	Pos.	Q.ty
F0862593050	C.02.01.L10001_0	30	0
	C.02.01.L10001_1	30	1
F0862657000	D.01.01.L10001_0	3	0
F0862694000	D.07.01.L10001_0	8	0
	D.07.01.L10001_1	8	4
F0863079000	G.02.01.L10001_0	2	0
	G.02.01.L10001_1	2	2
F0863097070	A.05.01.L10001_0	5	1
	A.05.01.L10001_1	5	1
F0863183000	D.07.01.L10001_0	25	0
	D.07.01.L10001_1	25	2
F0863217060	D.04.01.L10001_0	18	1
F0863267050	C.02.01.L10001_0	8	0
	C.02.01.L10001_1	8	8
	D.01.01.L10001_0	14	0
	D.08.01.L10001_0	2	1
F0863276000	G.02.01.L10001_0	41	0
	G.02.01.L10001_1	41	2
F0863328000	B.02.01.L10001_0	16	0
	G.01.01.L10001_0	13	1
F0863359000	C.02.01.L10001_0	2	0
	C.02.01.L10001_1	2	1
	G.02.01.L10001_0	12	0
	G.02.01.L10001_1	12	1
F0863449000	G.02.01.L10001_0	9	0
	G.02.01.L10001_1	9	1
F0863951000	B.01.01.L10001_0	13	
	B.01.01.L10001_1	13	0
F0864176000	M.01.01.L10001_0	5/1	5
	M.01.01.L10001_1	5/1	5
	M.02.01.L10001_0	5/1	5
	M.02.01.L10001_1	5/1	5
F0864192000	M.01.01.L10001_0	5/2	5
	M.01.01.L10001_1	5/2	5

Code	Parts Table	Pos.	Q.ty
F0864192000	M.02.01.L10001_0	5/2	5
	M.02.01.L10001_1	5/2	5
F0864200000	M.01.01.L10001_0	9.5	4
	M.01.01.L10001_1	9.5	4
	M.02.01.L10001_0	3.5	4
F0864309100	M.02.01.L10001_1	3.5	4
	B.02.01.L10001_2	36	2
	B.02.01.L10001_3	36	2
F0864364000	B.02.01.L10001_4	36	2
	M.01.01.L10001_0	11/1	1
F0864403000	M.01.01.L10001_1	11/1	1
	M.01.01.L10001_0	11/3	1
F0865475000	M.01.01.L10001_1	11/3	1
	B.05.01.L10001_0	21	1
F0907170109	B.04.01.L10001_0	19	0
	B.04.01.L10001_1	18	1
F1000005108	E.01.01.L10001_0	4	1
	E.01.01.L10001_1	4	1
	E.01.01.L10001_2	4	6
	E.01.01.L10001_3	4	6
P241171000000	G.02.01.L10001_1	33	1
P295332000000	D.09.01.L10001_0	2	1
P470330000000	D.10.01.L10001_0	21	1
P470433000000	D.10.01.L10001_0	20	1